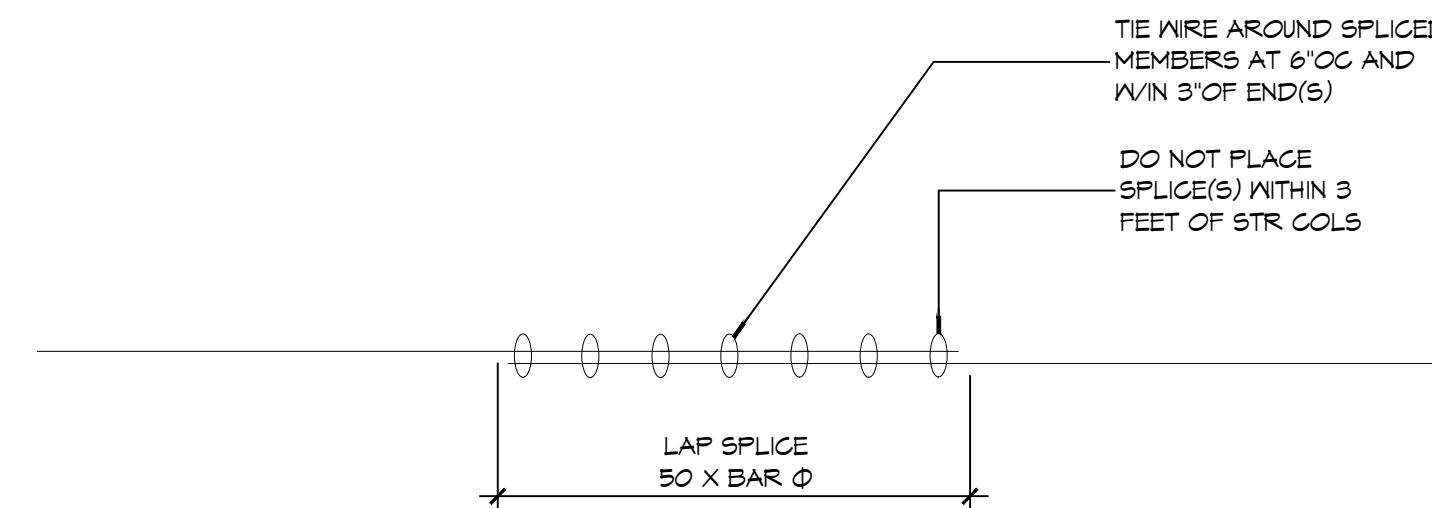
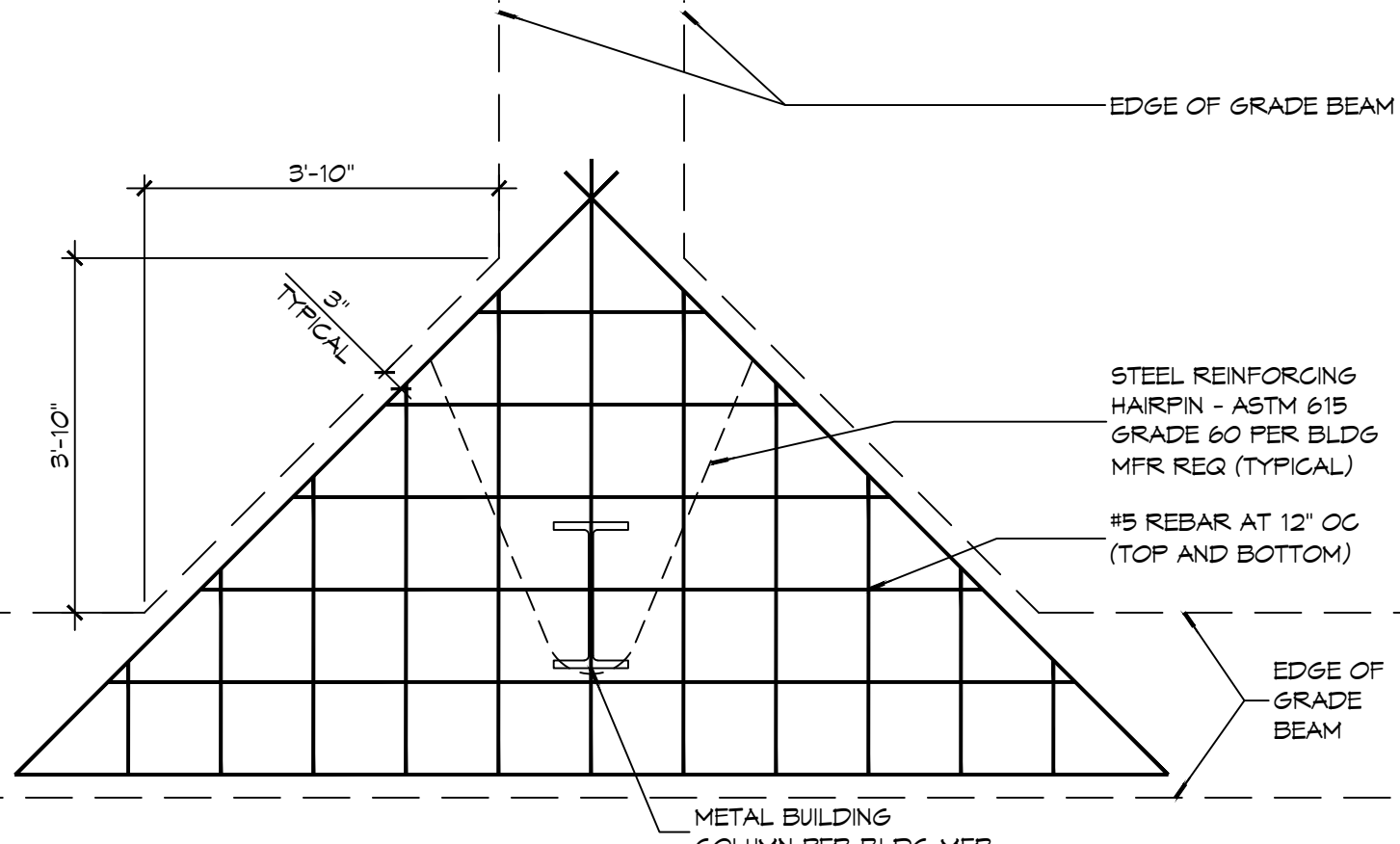


FILE NAME: S:\Projects\2025\2501\2501-01\2501-01.dwg PLOT DATE: 12/05/2025 PLOT TIME: 10:00:00 AM



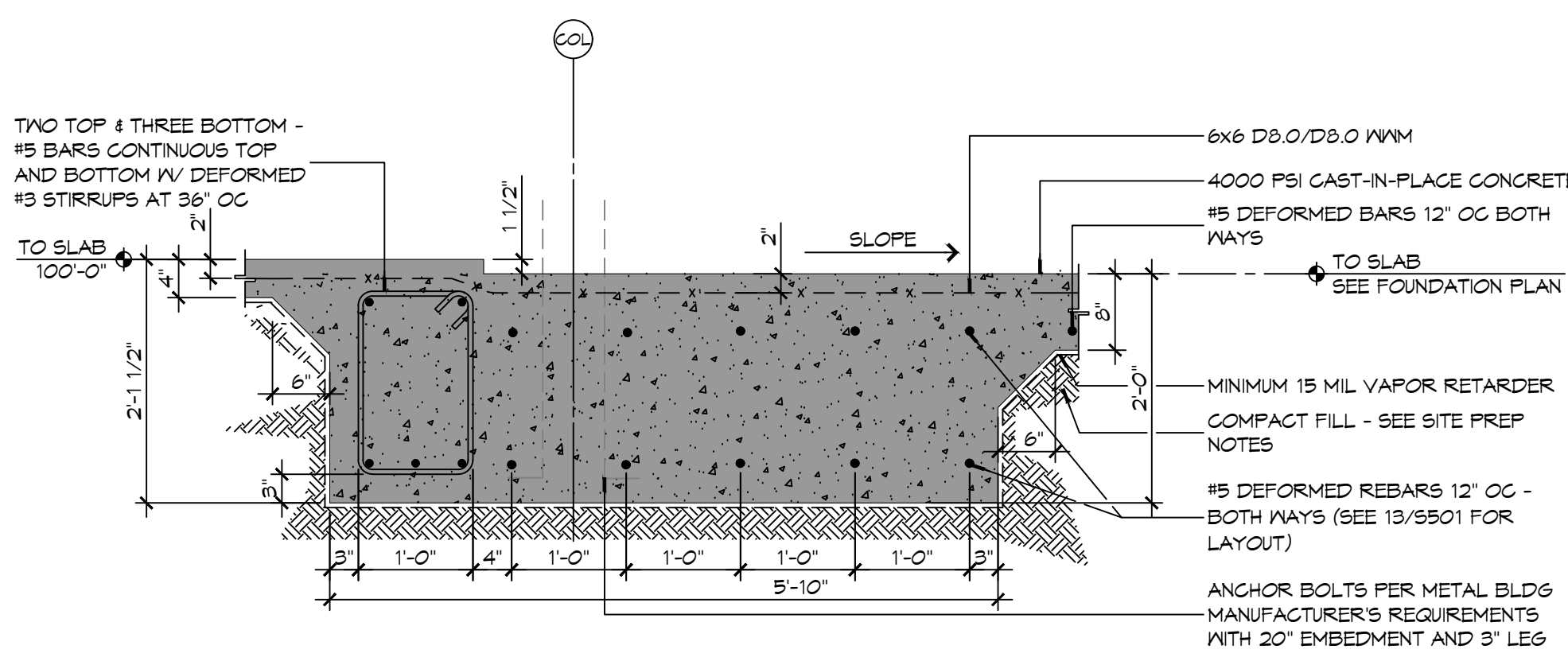
14 FOUNDATION DETAIL

SCALE: NTS



13 FOUNDATION DETAIL

SCALE: 1/2" = 1'-0"

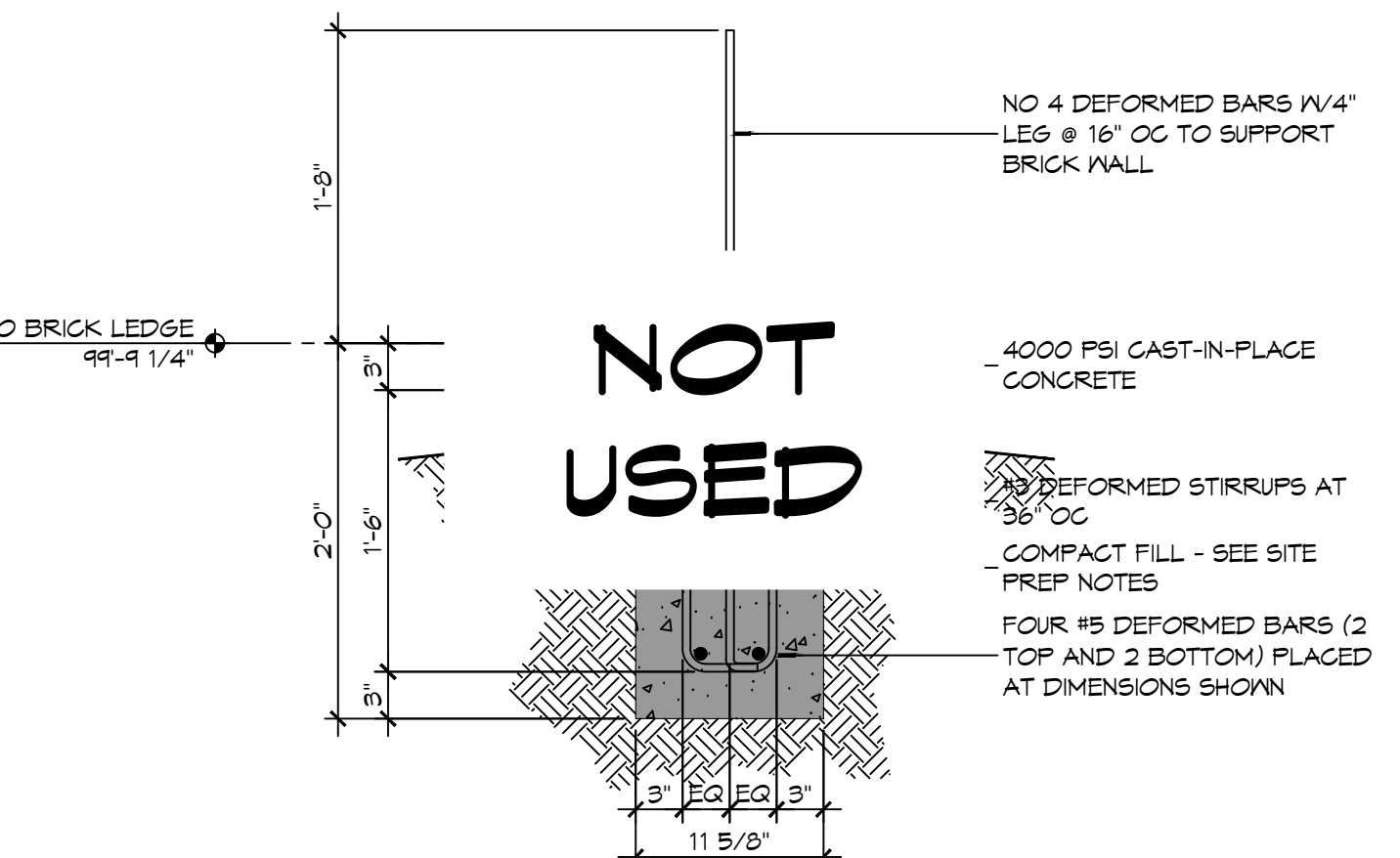


12 FOUNDATION DETAIL

SCALE: 3/4" = 1'-0"

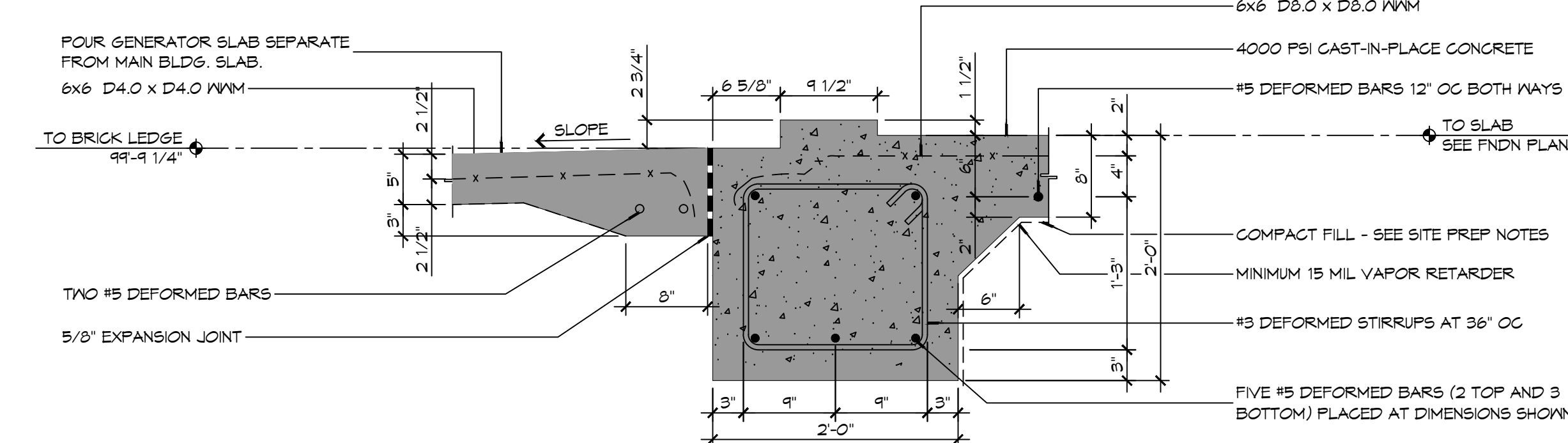
GENERAL FOUNDATION NOTES

- 1. CONCRETE REINFORCING STEEL SHALL CONFORM TO THE REQUIREMENTS OF ASTM A605, GRADE 60. REINFORCING TO BE WELDED SHALL CONFORM TO THE REQUIREMENTS OF ASTM A706, GRADE 60, UNLESS NOTED OTHERWISE.
2. FABRICATION OF REINFORCING STEEL SHALL BE IN ACCORDANCE WITH THE DETAILS OF AC308-91, "DETAILING OF CONCRETE REINFORCEMENT".
3. CORNER BARS SHALL BE PROVIDED AT ALL CORNERS AND INTERSECTIONS OF CONCRETE BEAMS, GRADE BEAMS, WALLS, AND STEM WALLS.
4. UNLESS NOTED OTHERWISE, CONCRETE COVER SHALL CONFORM TO THE MINIMUMS REQUIRED BY AC308-08.
5. THE CONTRACTOR SHALL BE RESPONSIBLE FOR THE STABILITY OF THE STRUCTURE DURING CONSTRUCTION.
6. WORK NOT INDICATED AS PART OF THE DRAWINGS BUT REASONABLY IMPLIED TO BE SIMILAR TO THAT A CORRESPONDING PLACES SHALL BE REPEATED.
7. ALL EXCAVATIONS FOR FOOTINGS OR PILE CAPS SHALL BE MADE TO GRADES SHOWN. CONTRACTOR SHALL TAKE MEASURES TO PREVENT CAVE-IN OF THE FOOTING EXCAVATION. THESE MEASURES MAY INCLUDE CUTTING BACK THE SIDE SLOPES AND/OR THE USE OF SIDE FORMS.



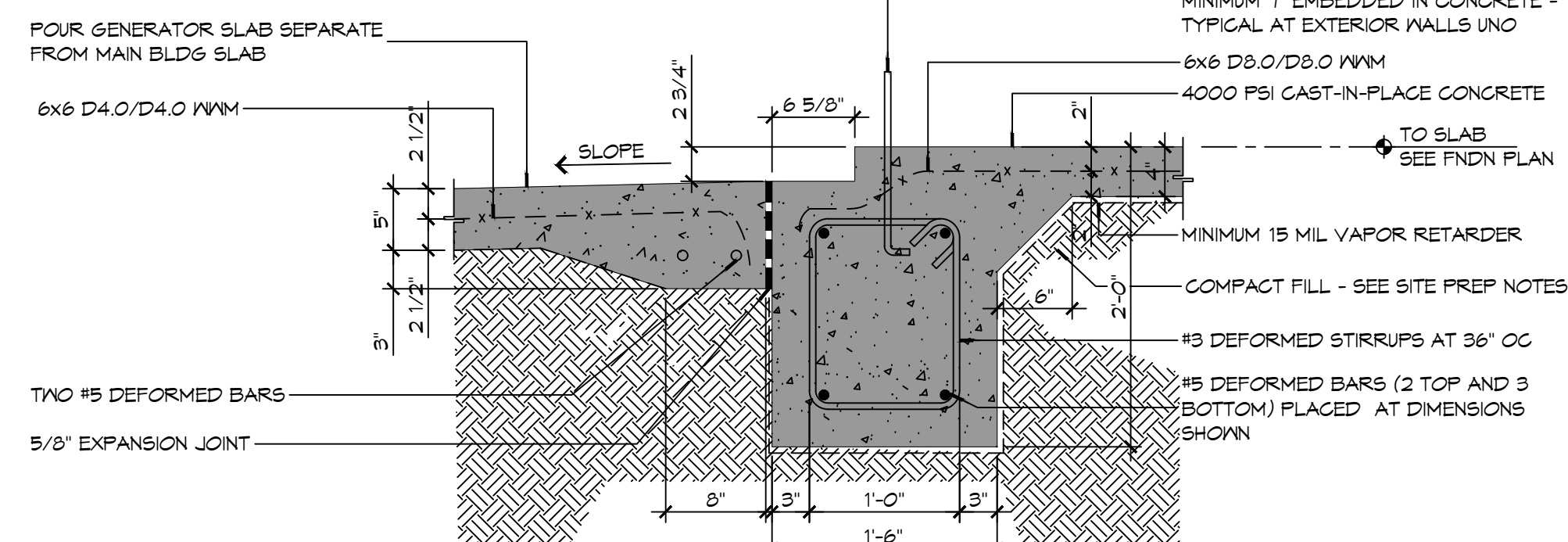
11 FOUNDATION DETAIL

SCALE: 1" = 1'-0"



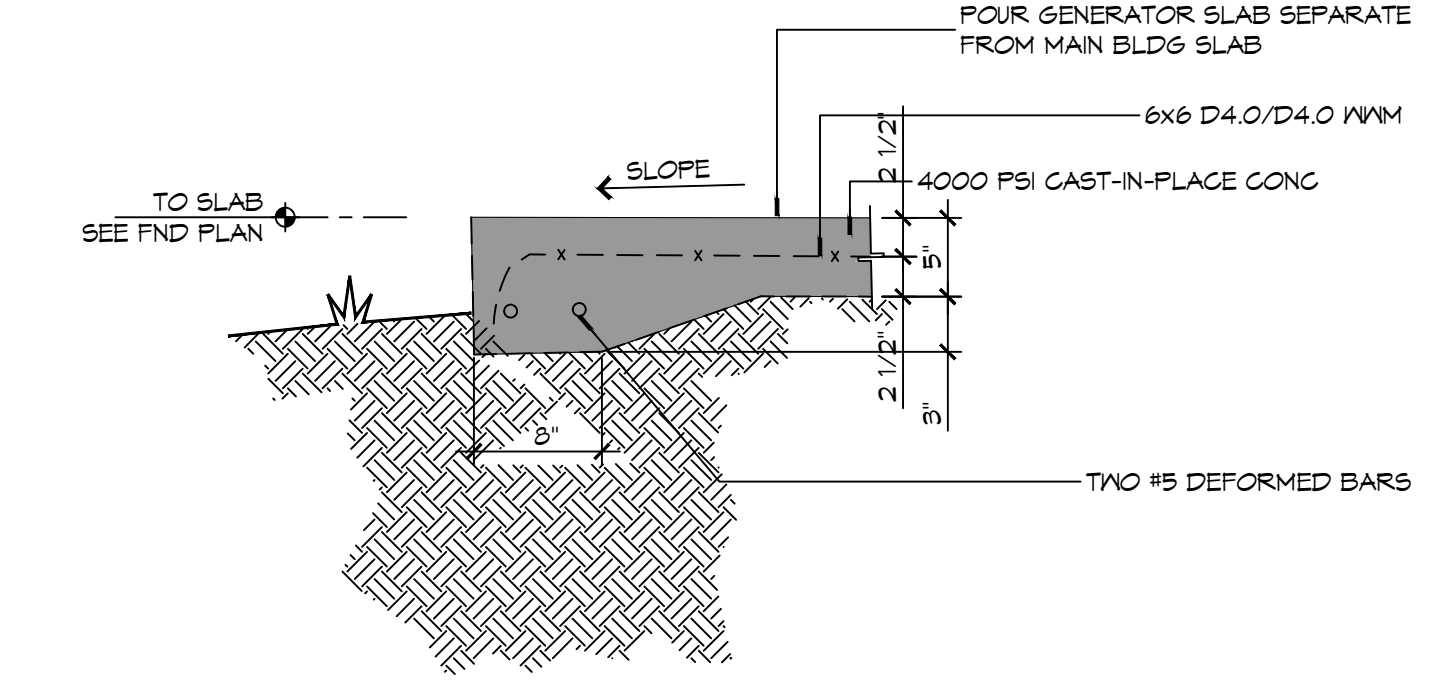
10 FOUNDATION DETAIL

SCALE: 1" = 1'-0"



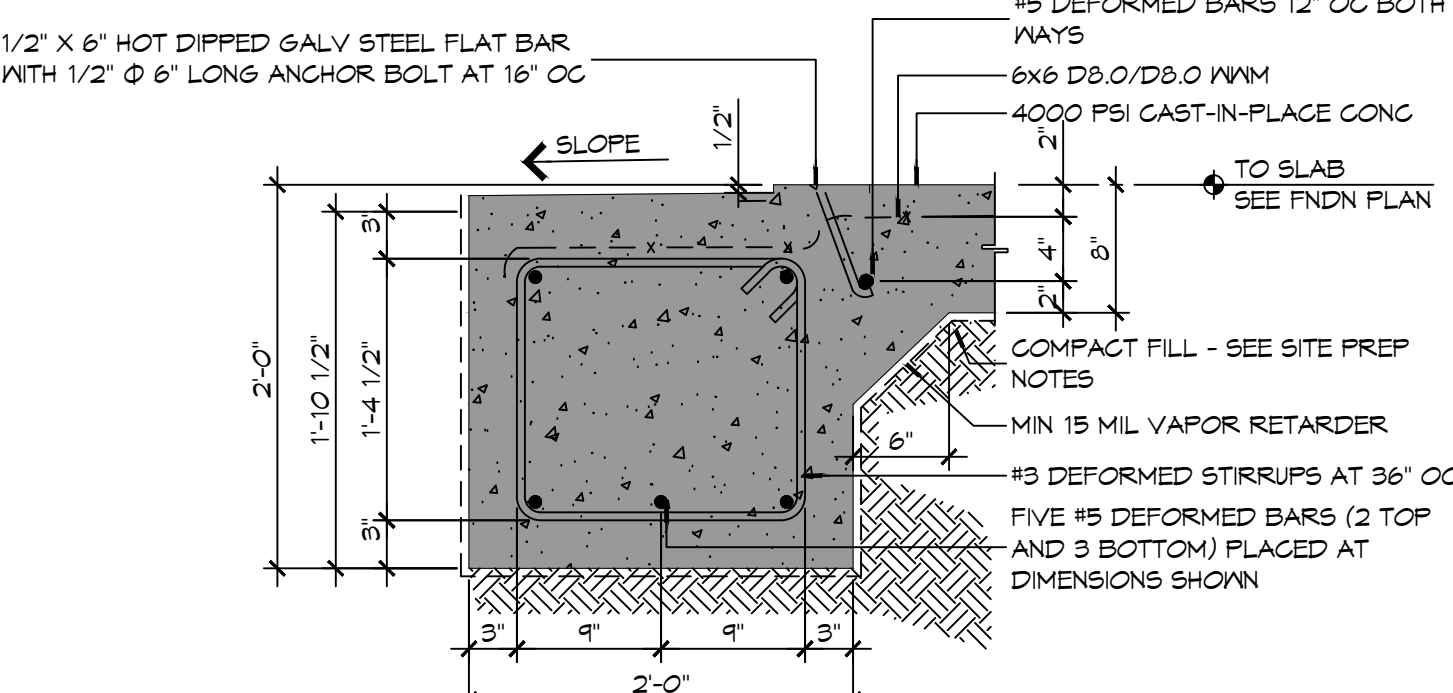
9 FOUNDATION DETAIL

SCALE: 1" = 1'-0"



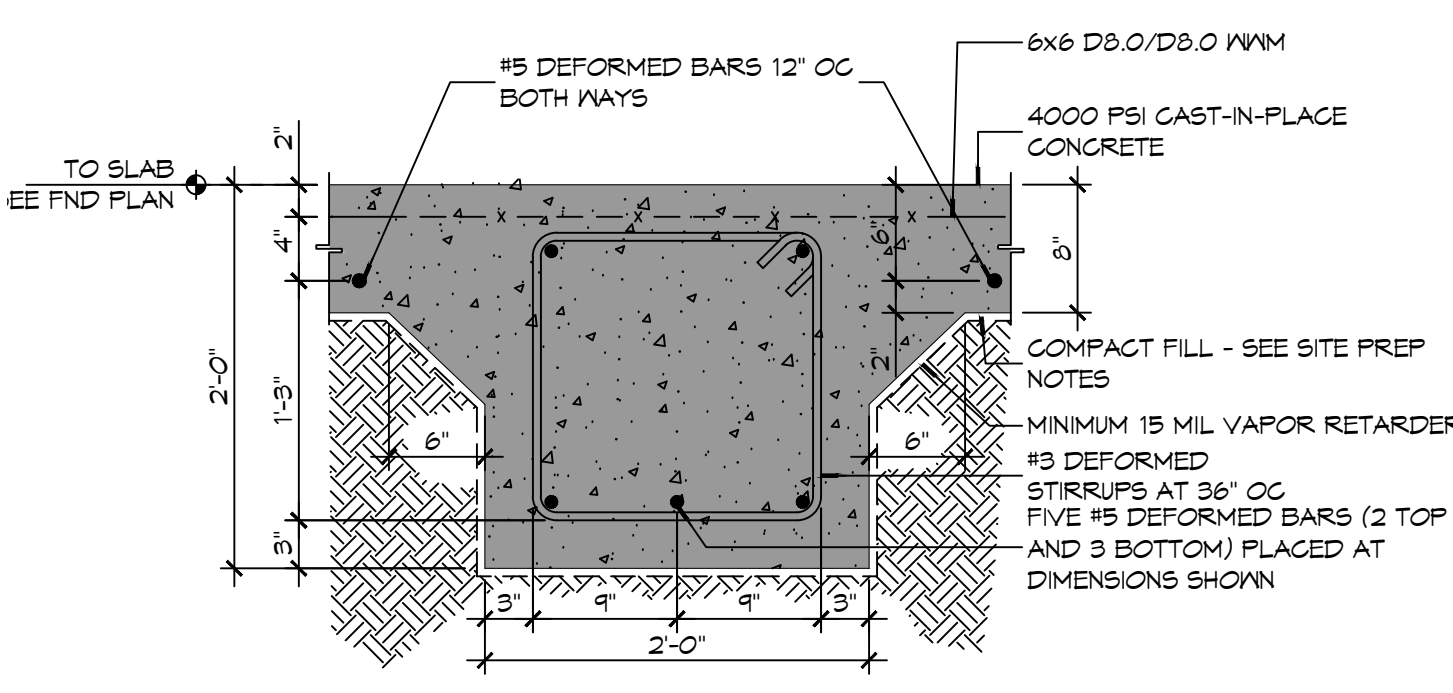
8 FOUNDATION DETAIL

SCALE: 1" = 1'-0"



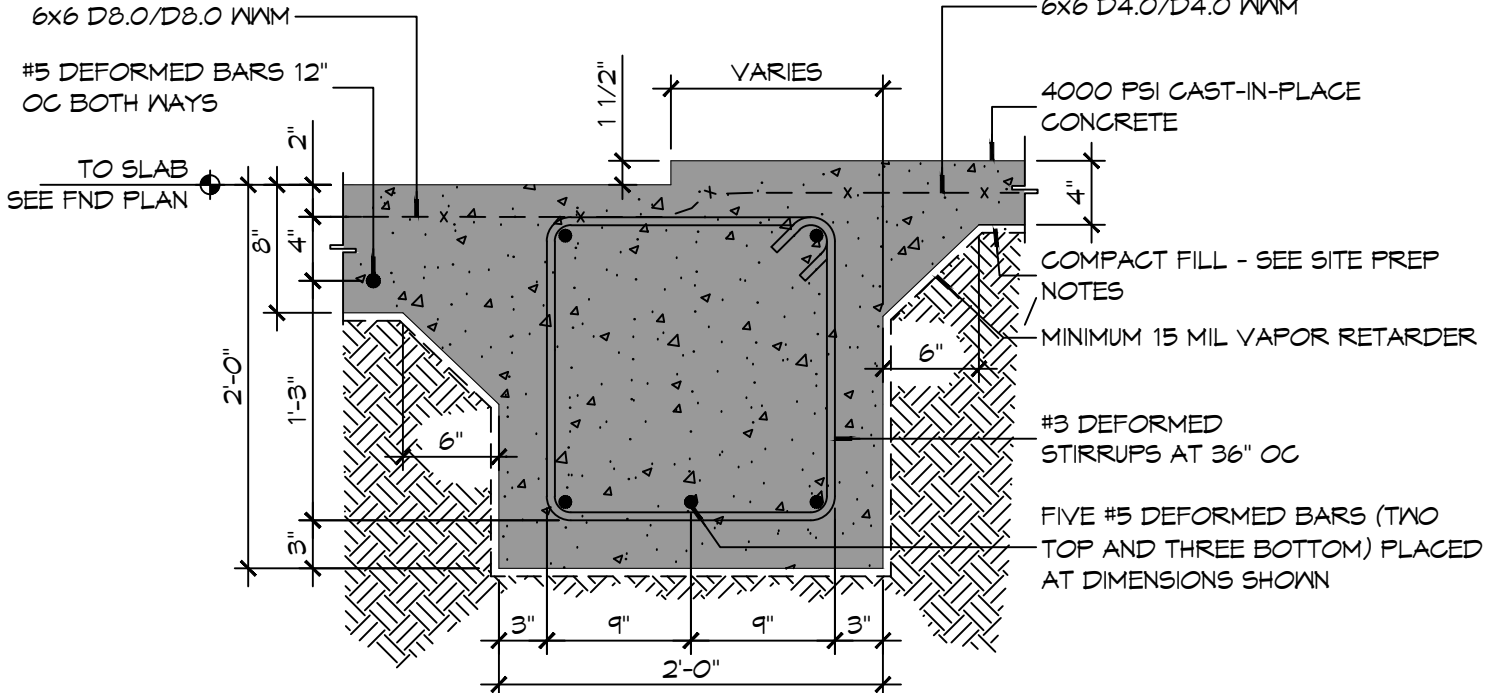
7 FOUNDATION DETAIL

SCALE: 1" = 1'-0"



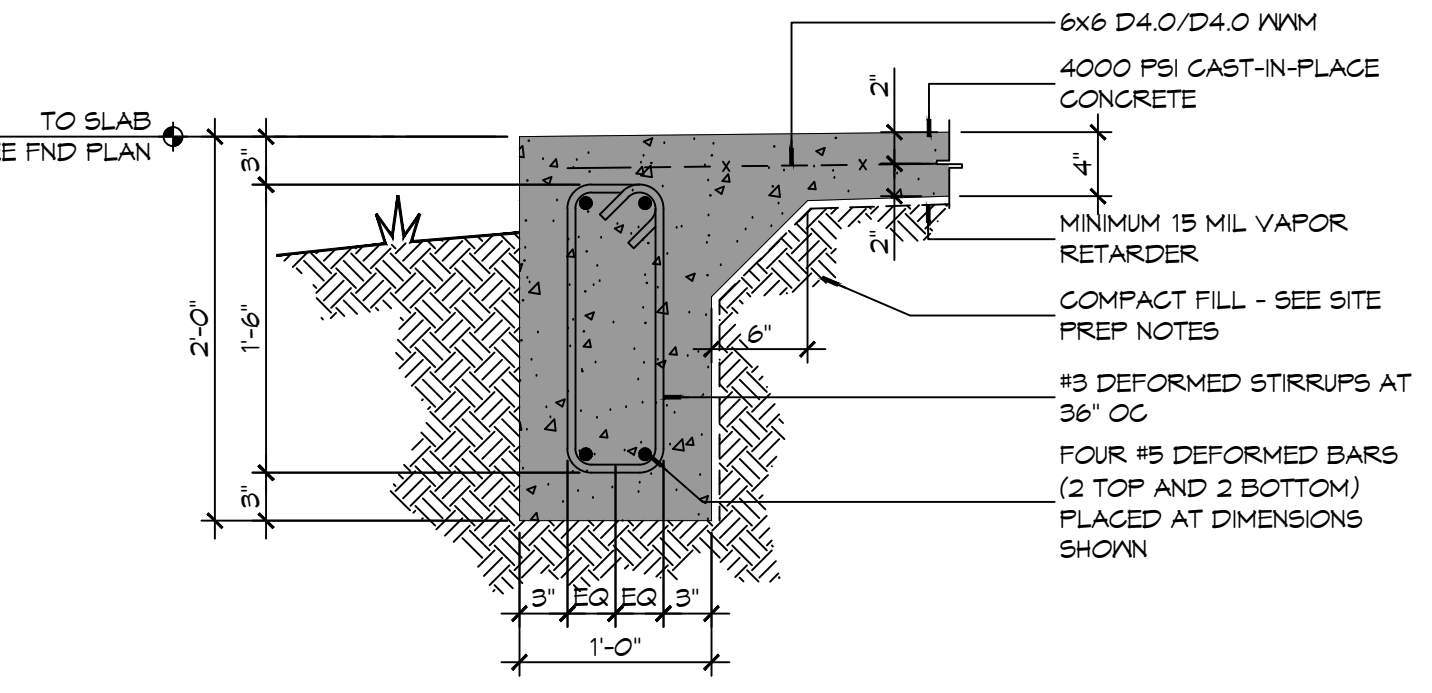
6 FOUNDATION DETAIL

SCALE: 1" = 1'-0"



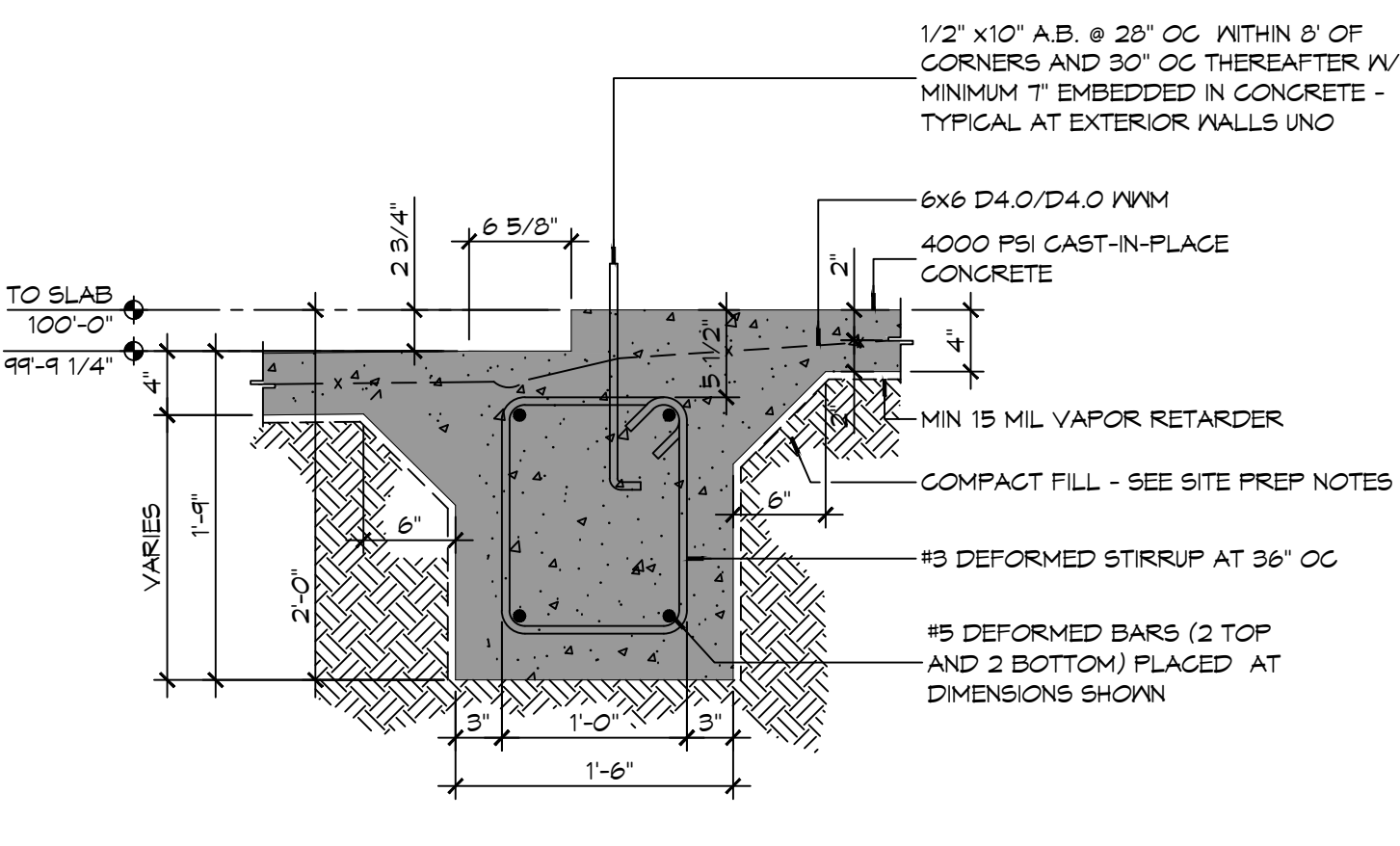
5 FOUNDATION DETAIL

SCALE: 1" = 1'-0"



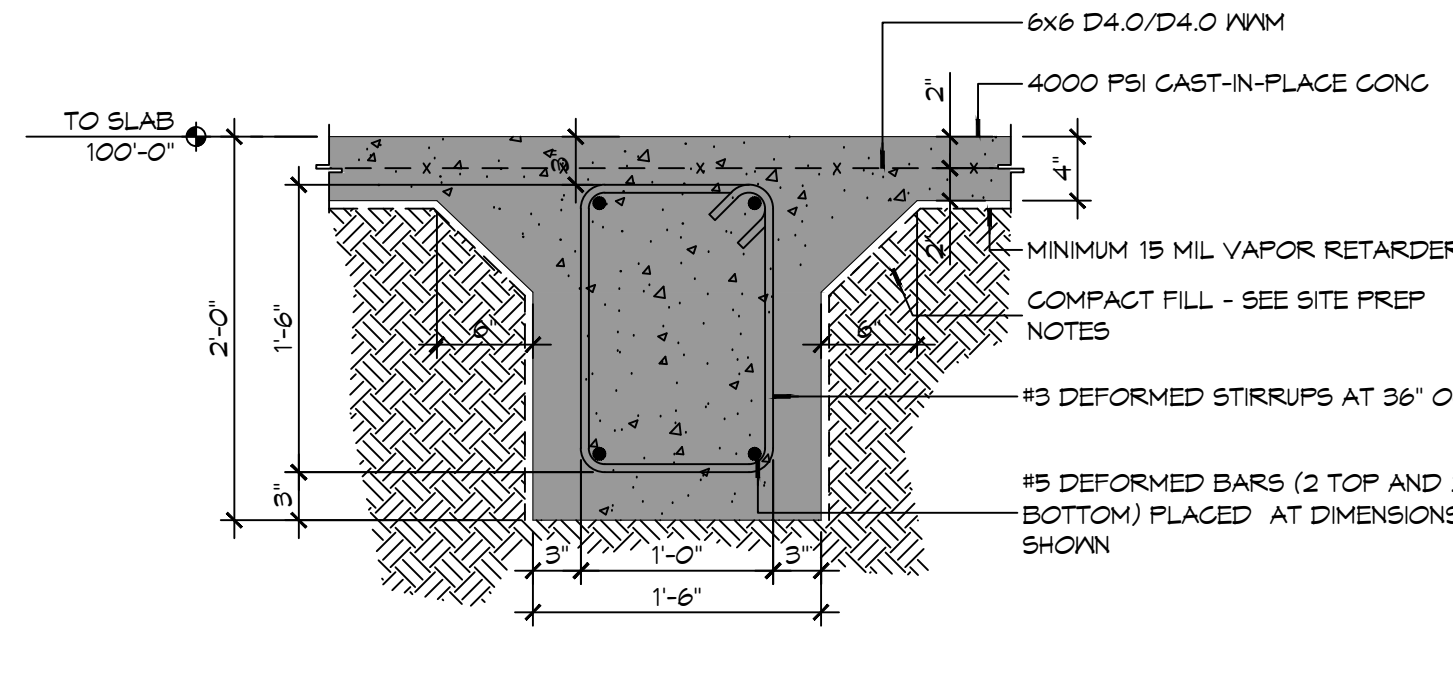
4 FOUNDATION DETAIL

SCALE: 1" = 1'-0"



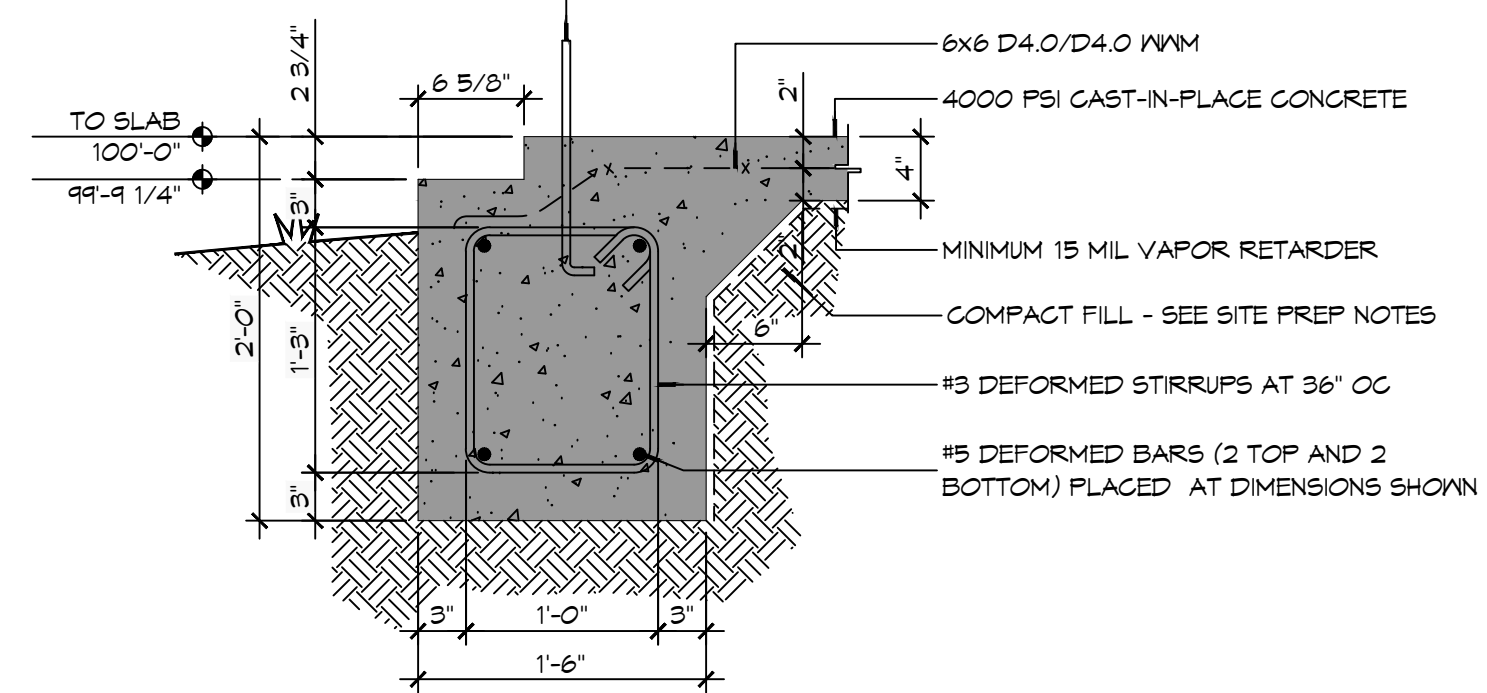
3 FOUNDATION DETAIL

SCALE: 1" = 1'-0"



2 FOUNDATION DETAIL

SCALE: 1" = 1'-0"



1 FOUNDATION DETAIL

SCALE: 1" = 1'-0"

DAMMON ENGINEERING, INC. LOUISIANA & MISSISSIPPI. Chief Engineer: Brian Mistich, PE. 554 Old Spanish Trail, Slidell, LA 70458. Website: www.dammonengineering.com. Phone: 985.649.5832.

Table with columns: #, DESCRIPTION, DATE, REVISIONS.



NEW FIRE STATION #10 ST. TAMMANY FIRE PROTECTION DISTRICT NO. 1. SHEET TITLE: FOUNDATION DETAILS. DRAWING NUMBER: S501. SHEET No: 15 of 37.