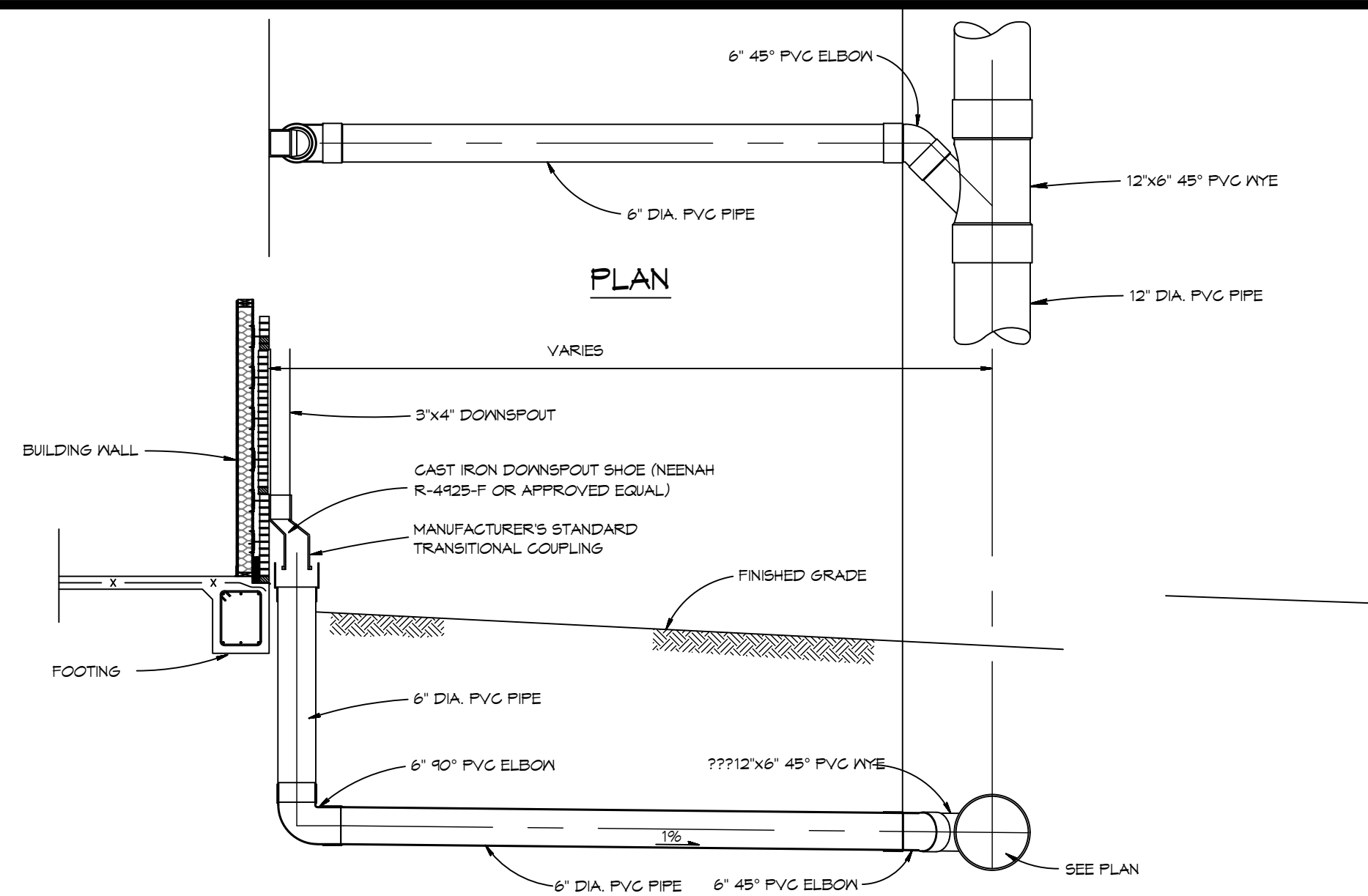


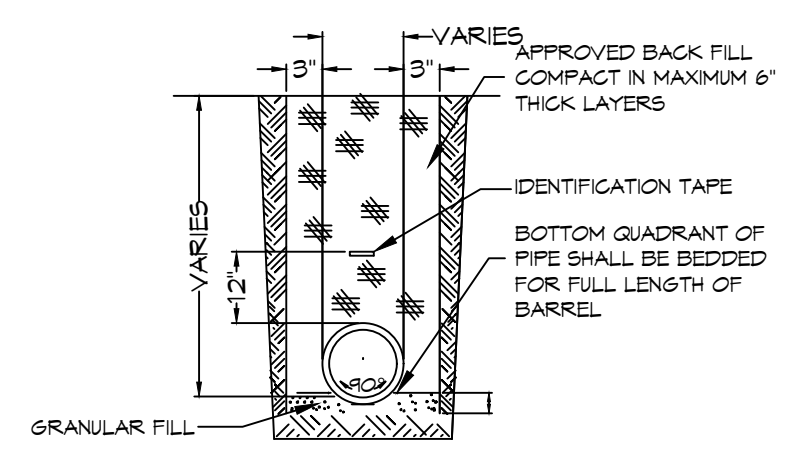
FILE NAME: \\s:\damm\c104 - Fire Station #10\Drawings\Site\Drawings\Site - Drainage - Detail - 01-22-26.dwg DATE PLOT: 01/22/26 10:58:48 AM 2026



4 DETAIL
SCALE: N.T.S.

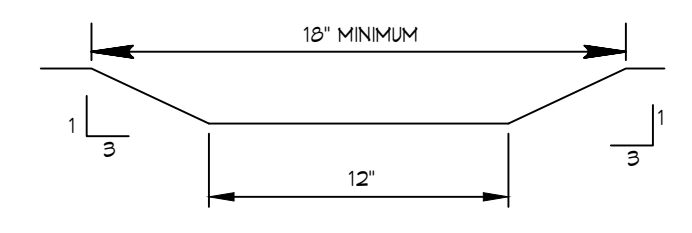
SITE DRAINAGE LEGEND	
---	PROPERTY LINE
TC = 11.47	TOP OF CONCRETE
TOG = 11.47	TOP OF GRADE
INV = 11.47	INVERT OF PIPE
00.00	EXISTING ELEVATIONS
ST	NEW SUBSURFACE DRAINAGE PIPE
→	DRAINAGE FLOW DIRECTION ARROWS

- GENERAL SITE DRAINAGE NOTES**
1. DRAIN PIPE(S) MUST BE THE BELL AND SPIGOT TYPE WITH "O" RING RUBBER GASKETS. THE BELLS OF THE PIPES SHALL BE LAID UPSTREAM. ALL JOINTS SHALL BE WRAPPED WITH GEOTEXTILE FABRIC. ALL PIPES SHALL REQUIRE A 3" COMPACTED SAND OR LIMESTONE BASE.
 2. DRAIN PIPE AND FITTINGS WITHIN PROPERTY LINE SHALL BE POLYVINYL CHLORIDE PLASTIC PIPE, MEETING CLASS 100 C-900 PVC.
 3. ELEVATIONS SHOWN ARE M.S.L.
 4. FIELD VERIFY ALL ELEVATIONS AND AND DRAINAGE SYSTEM PLACEMENT PRIOR TO START OF WORK.
 5. PROVIDE VERTICAL ELBOW AT DOWNSPOUTS FOR CONNECTION TO SUBSURFACE DRAINAGE WHERE INDICATED. ELBOW ID SHALL BE SIZED SUCH THAT THE DOWNSPOUT CAN BE INSERTED INTO THE PIPE OPENING.
 6. MAINTAIN ALL DRAINAGE FOR PROPER PERFORMANCE.

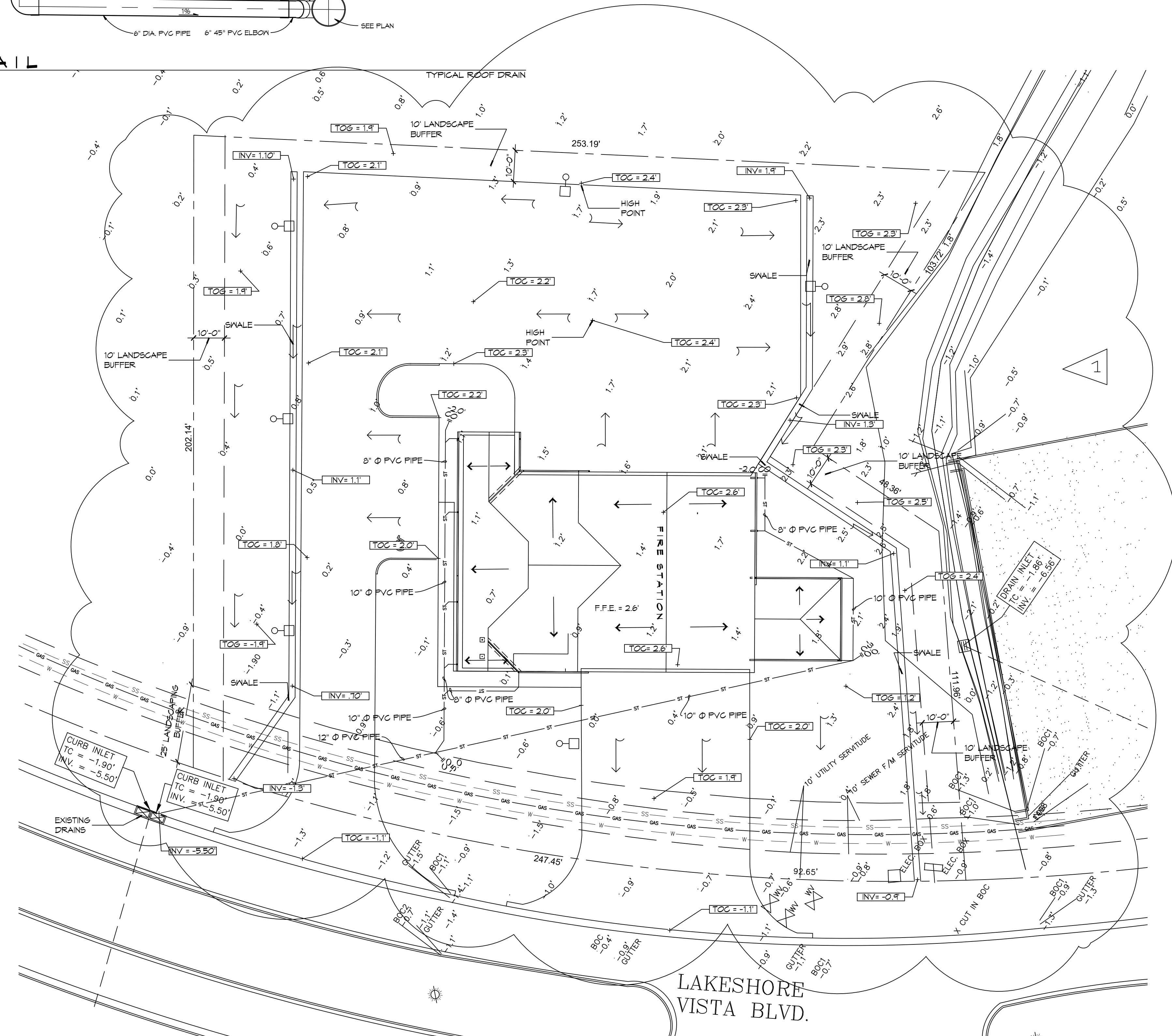


- NOTES:**
- 1) DRAIN PIPE & FITTINGS SHALL BE POLYVINYL CHLORIDE PLASTIC PIPE, MEETING CLASS 100 C-900 PVC.
 - 2) ELEVATIONS SHOWN ARE M.S.L.

3 DETAIL
SCALE: N.T.S.



2 DETAIL
SCALE: N.T.S.



1 SITE DRAINAGE PLAN
SCALE: 1"=20'

DAMMON ENGINEERING, INC.
LOUISIANA & MISSISSIPPI

Chief Engineer: Brian Mistich, PE
554 Old Spanish Trail
Slidell, LA 70458
www.dammoneengineering.com
info@dammoneengineering.com
PH: 985.649.5832

#	DESCRIPTION	REVISIONS	DATE
1	RELOCATED SIDE SWALES REMOVED REAR SWALE ADDED INVERTS TO SEWER/DRAINAGE		01-22-26



**NEW FIRE STATION #10
ST. TAMMANY FIRE PROTECTION
DISTRICT NO. 1**

2148 LAKESHORE VISTA BLVD
SLIDELL, LA 70461
JOB NO: 2519 DATE: 1-16-2026
DRAWN BY: CKD CHECKED BY: BAK

SHEET TITLE:
SITE PLAN - DRAINAGE
AND DETAILS

DRAWING NUMBER:
C104

SHEET No: 6 of 37