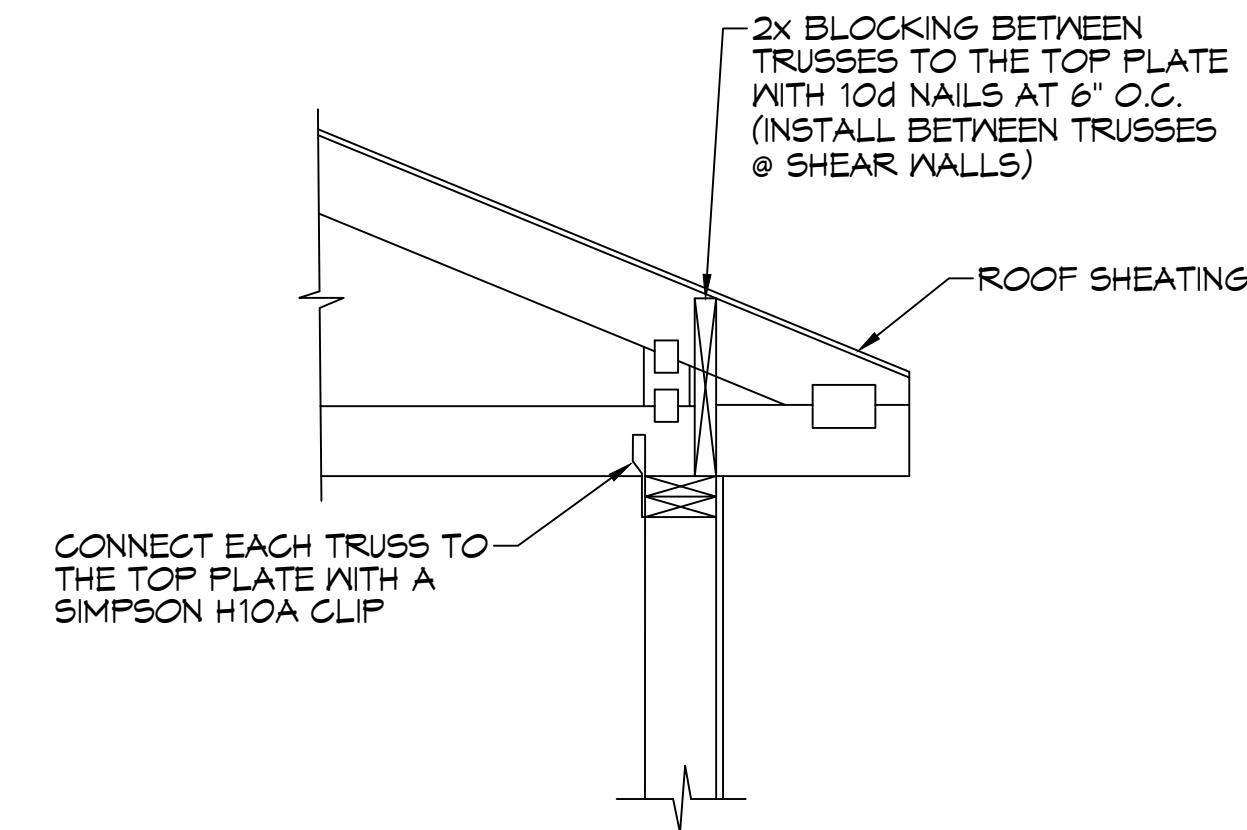
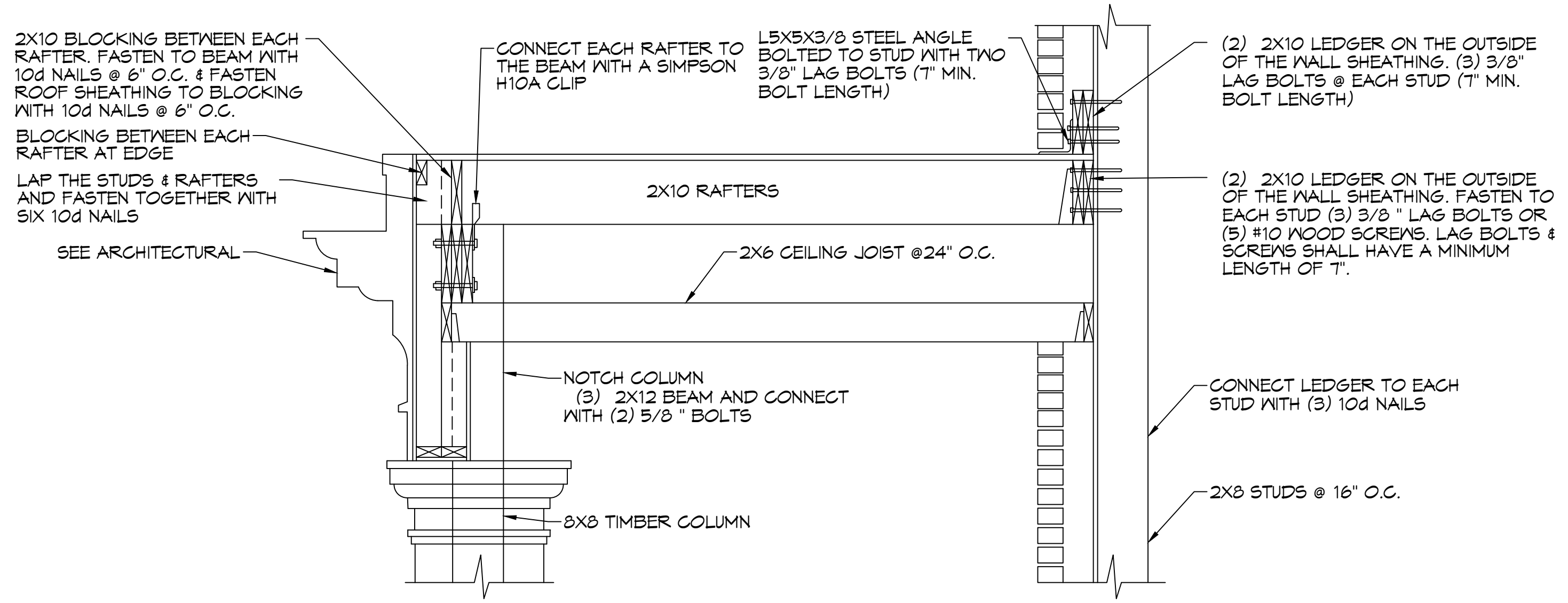


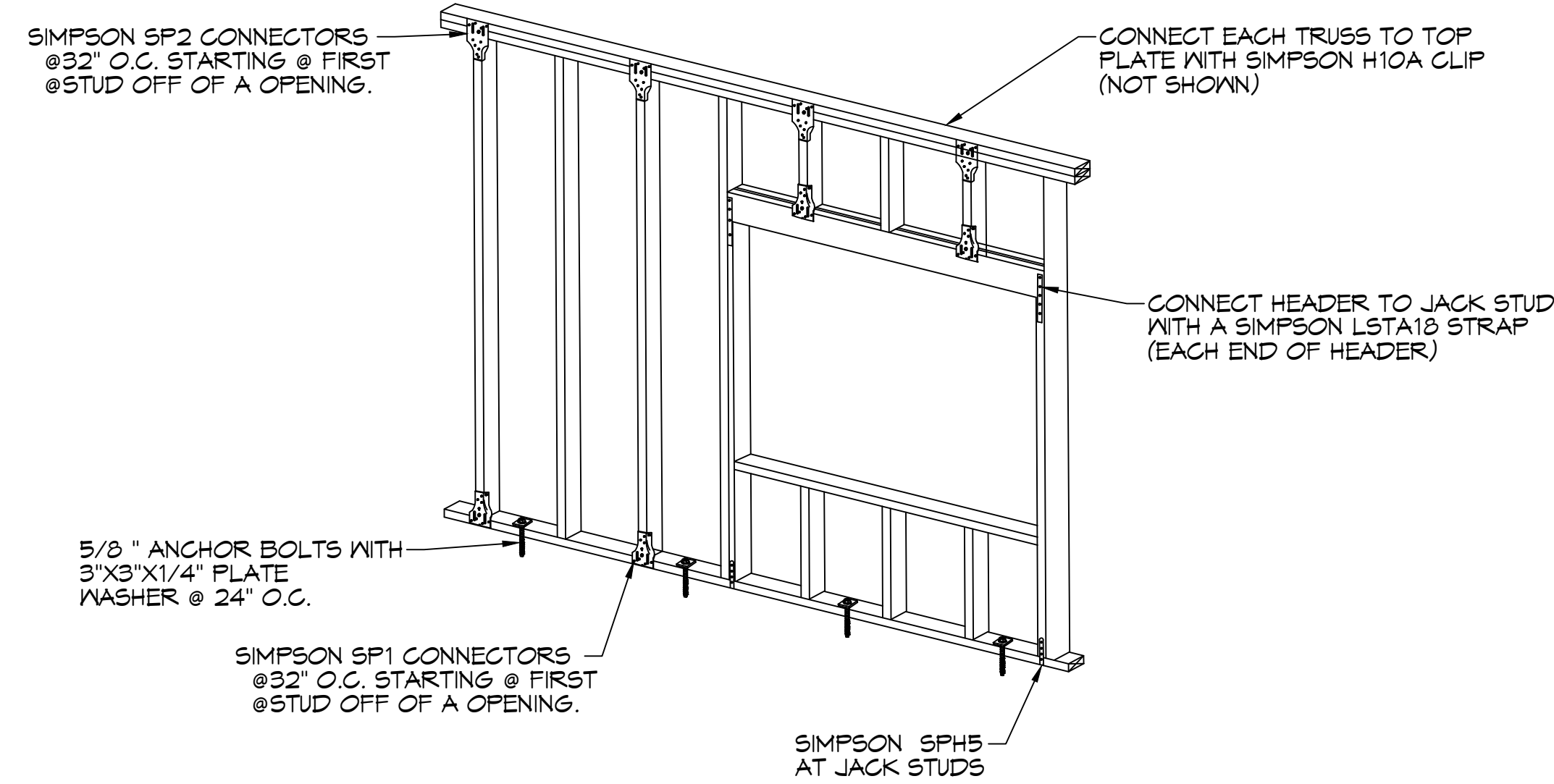
A FRAMING SECTION @ MEZZANE/ROOF BEARING
 S4 SCALE: 3/4" = 1'-0"



B ROOF TRUSS BEARING DETAIL
 S4 SCALE: 3/4" = 1'-0"



C FRONT PORCH ROOF SECTION
 S4 SCALE: 3/4" = 1'-0"



D WALL CONNECTION DETAIL
 S4 SCALE: 3/4" = 1'-0"

#	DESCRIPTION	DATE



NEW MEDICAL OFFICE
 DIANA OAK HARBOR REAL ESTATE
 LLC
 840 OAK HARBOR BLVD
 SLIDELL, LA 70458
 JOB No: 2513 DATE: 05-16-2025
 DRAWN BY: JMS CHECKED BY: JMS