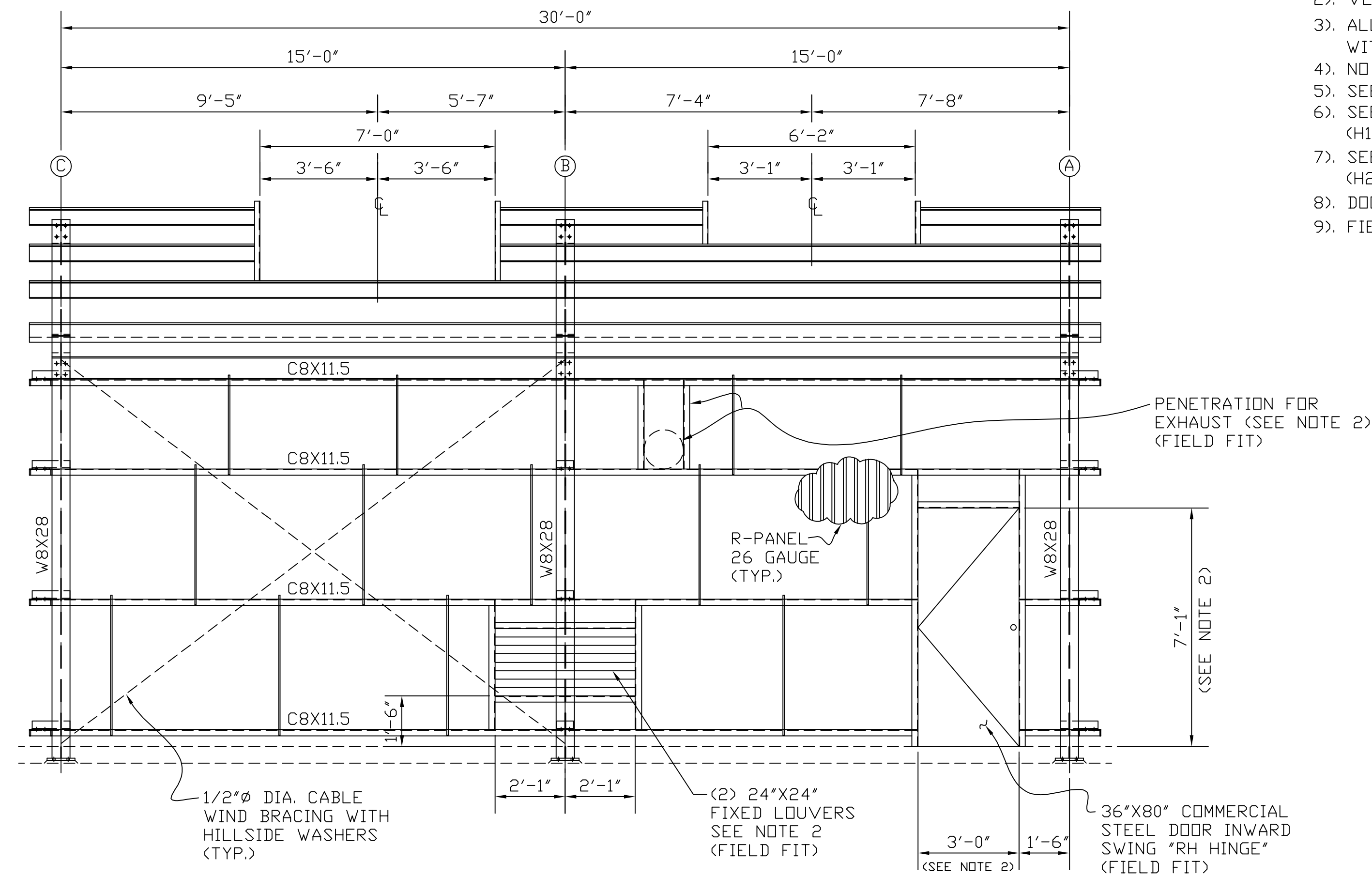
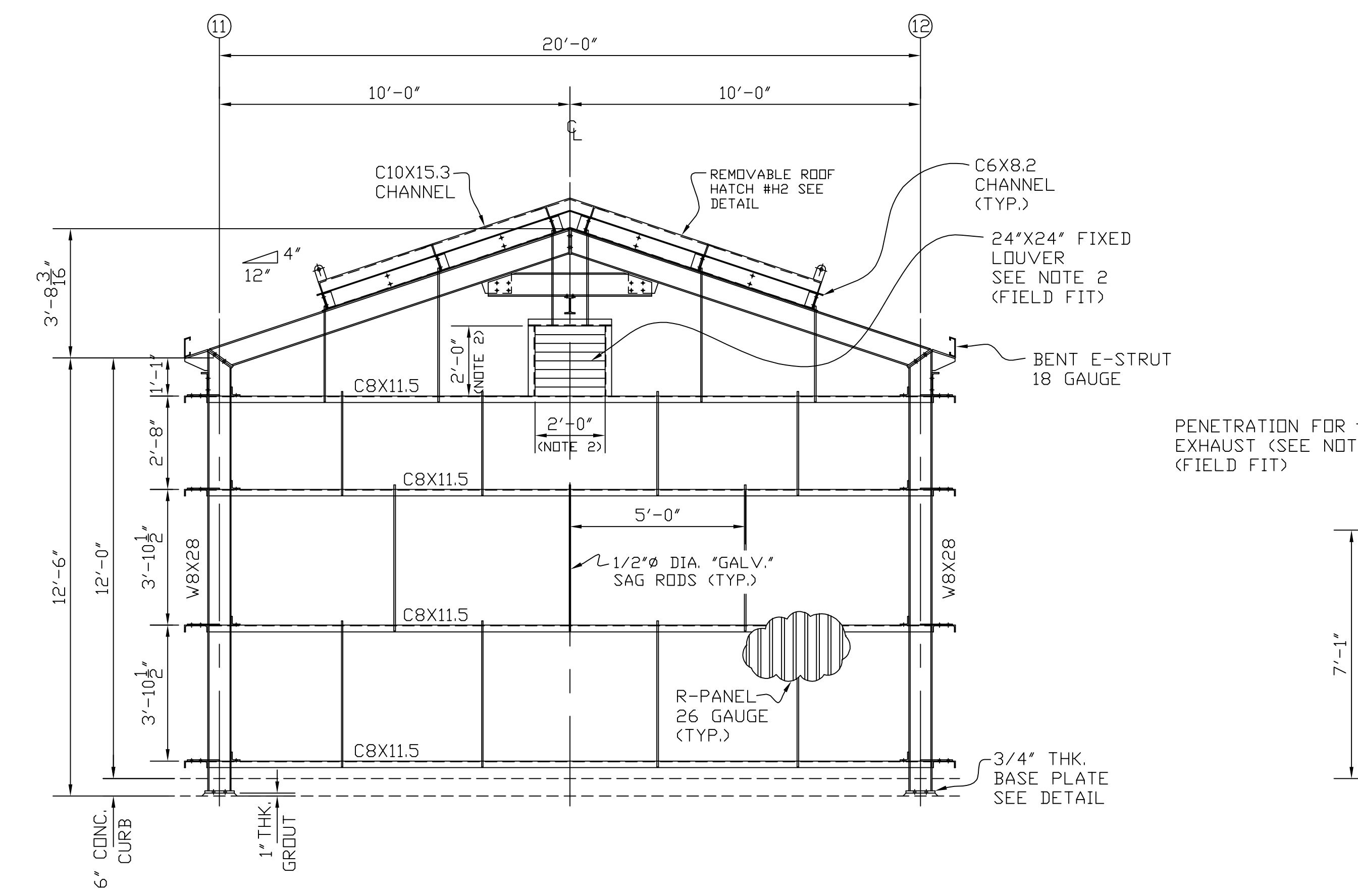


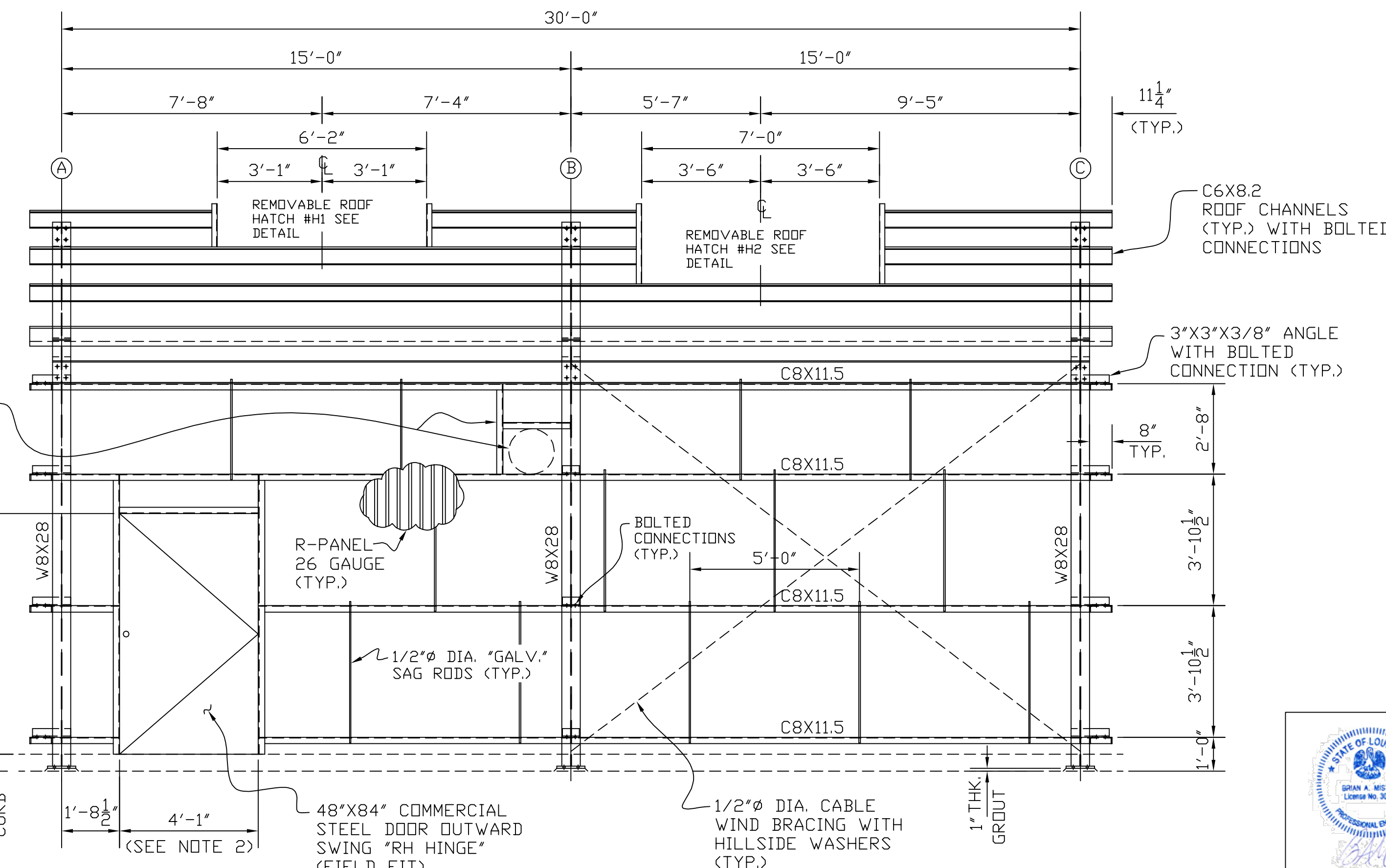
(LOOKING SOUTH)
FIREWATER PUMP BUILDING NORTH ELEVATION
 SCALE: 3/8"=1'-0"



(LOOKING WEST)
FIREWATER PUMP BUILDING EAST ELEVATION
 SCALE: 3/8"=1'-0"



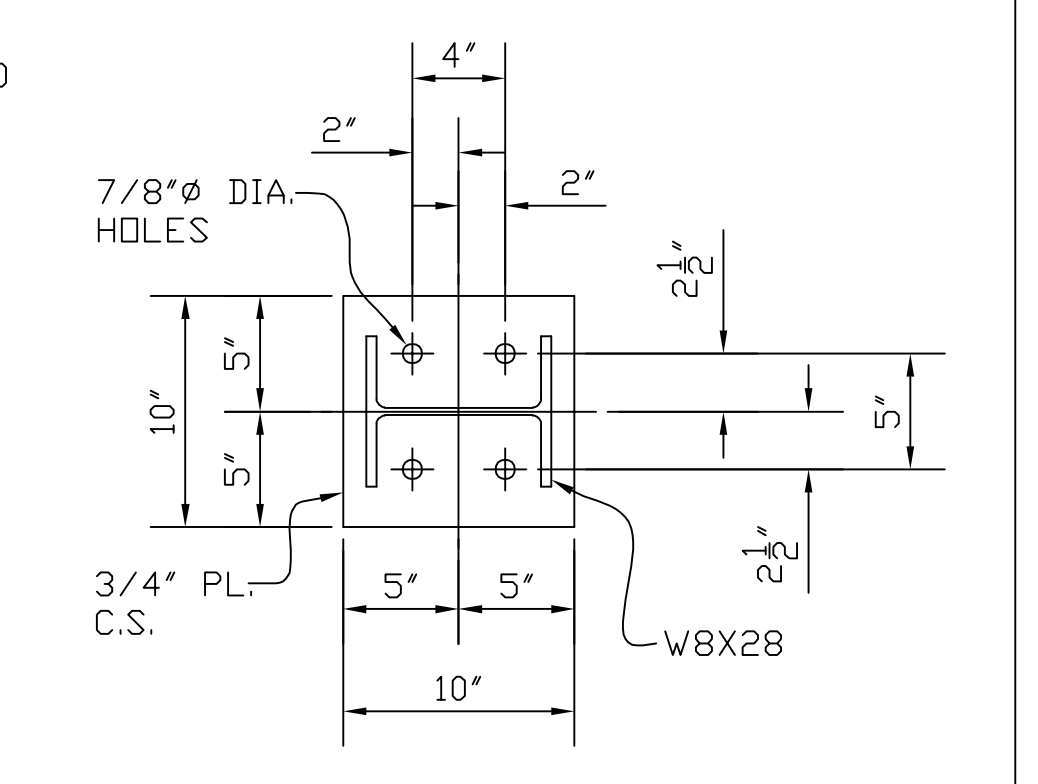
(LOOKING NORTH)
FIREWATER PUMP BUILDING SOUTH ELEVATION
 SCALE: 3/8"=1'-0"



(LOOKING EAST)
FIREWATER PUMP BUILDING WEST ELEVATION
 SCALE: 3/8"=1'-0"

- NOTES:
- 1). ALL MATERIAL TO BE "HOT DIPPED GALVANIZED."
 - 2). VERIFY MANUFACTURER'S REQUIRED ROUGH OPENING.
 - 3). ALL ROOFING & WALLS WILL BE R-PANEL 26 GAUGE WITH TRIM COMPONENTS.
 - 4). NO GUTTERS REQUIRED.
 - 5). SEE DRAWING #PF-3555-2 FOR PLAN VIEW.
 - 6). SEE DRAWING #PF-3555-3 FOR REMOVABLE HATCH (H1) DETAIL.
 - 7). SEE DRAWING #PF-3555-4 FOR REMOVABLE HATCH (H2) DETAIL.
 - 8). DOORS & LOUVERS WILL BE PURCHASED SEPARATE.
 - 9). FIELD FIT ALL (3) DOORS.

DESIGN LOADS PER ASCE 7, LATEST EDITION AS NOTED BELOW.
 * ROOF LIVE LOAD 20 PSF (MINIMUM)
 * WIND SPEED, V=158 MPH
 * RISK CATEGORY III
 * EXPOSURE C



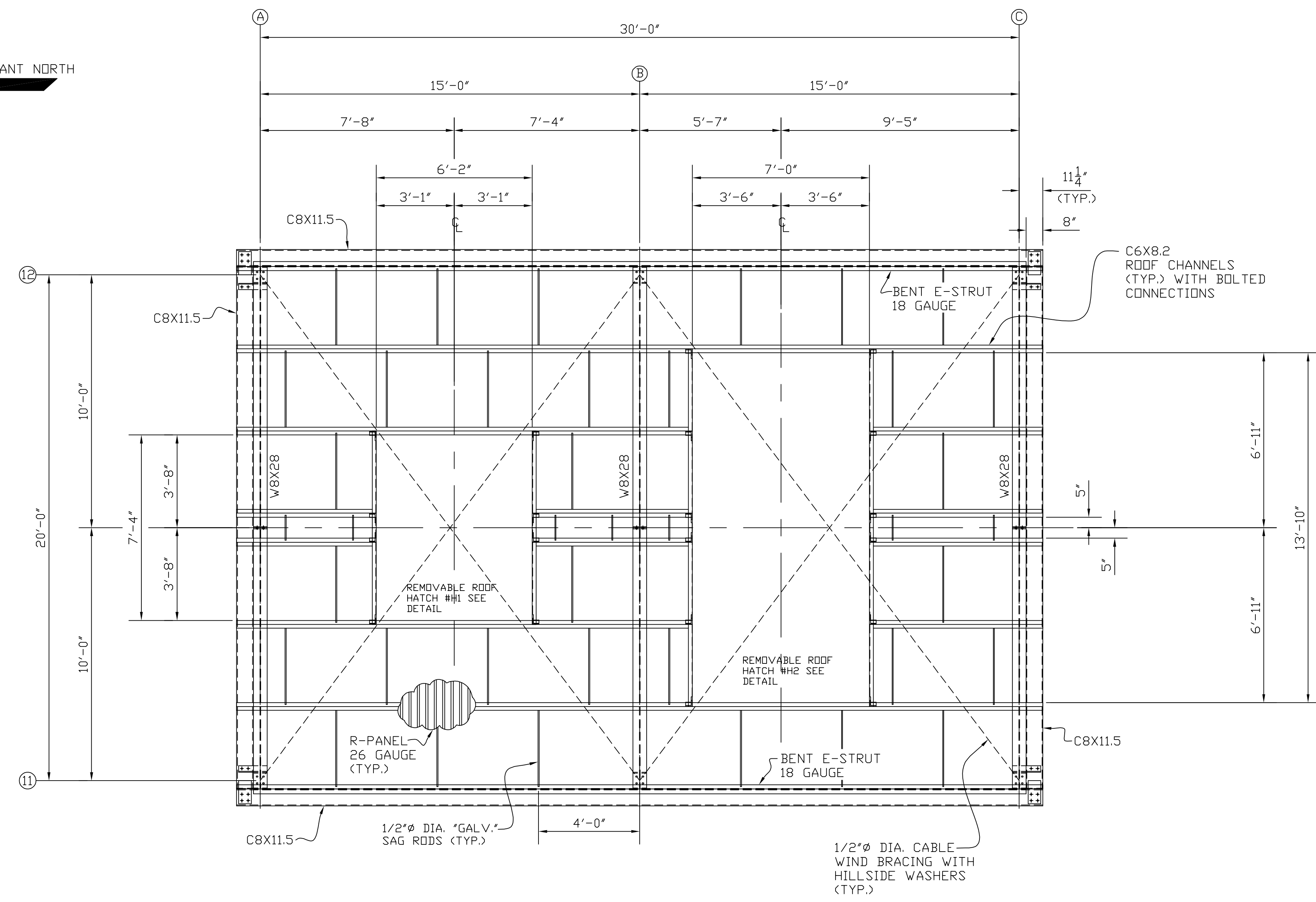
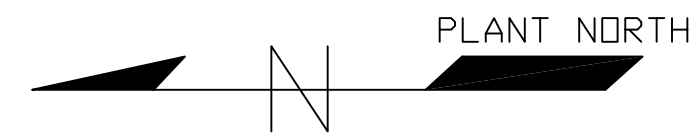
BASE PLATE DETAIL
 SCALE: 3"=1'-0"



DAMMON ENGINEERING, INC.
 554 Old Spanish Trail, Slidell, LA 70458 (985) 649-5832

PICOU-FRADELLA CONSTRUCTION, CO.
 CHALMETTE, LA.
 SCALE: NOTED APPROVED BY: DRAWN BY: P.M.B.
 DATE: 6/24/25 JOB#: PF-3555 SHEET 1 OF 4
FIREWATER PUMP BUILDING
 CHEVRON DWG#: PF-3555-1

- NOTES:
- 1). ALL MATERIAL TO BE "HOT DIPPED GALVANIZED"
 - 2). VERIFY MANUFACTURER'S REQUIRED ROUGH OPENING.
 - 3). ALL ROOFING & WALLS WILL BE R-PANEL 26 GAUGE WITH TRIM COMPONENTS.
 - 4). NO GUTTERS REQUIRED.
 - 5). SEE DRAWING #PF-3555-1 FOR ELEVATION DETAILS.
 - 6). SEE DRAWING #PF-3555-3 FOR REMOVABLE HATCH (H1) DETAIL.
 - 7). SEE DRAWING #PF-3555-4 FOR REMOVABLE HATCH (H2) DETAIL.
 - 8). DOORS & LOUVERS WILL BE PURCHASED SEPARATE.
 - 9). FIELD FIT ALL (3) DOORS.

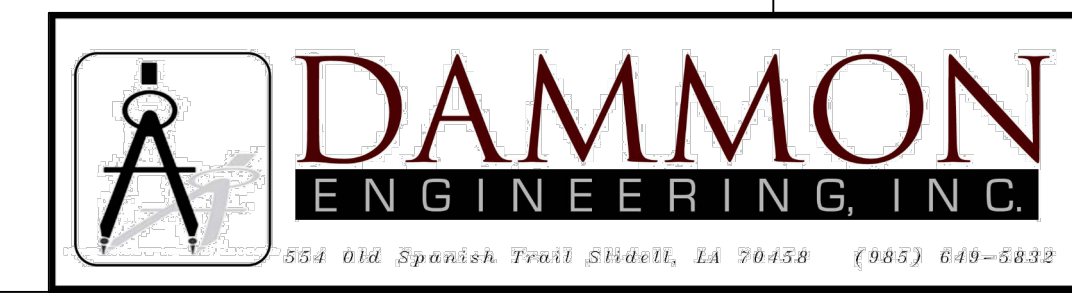


DESIGN LOADS PER ASCE 7, LATEST EDITION AS NOTED BELOW.
 * ROOF LIVE LOAD 20 PSF (MINIMUM)
 * WIND SPEED, V=158 MPH
 * RISK CATEGORY III
 * EXPOSURE C

FIREWATER PUMP BUILDING ROOF PLAN
 SCALE: 3/8"=1'-0"



PICOU-FRADELLA CONSTRUCTION, CO.
 CHALMETTE, LA.

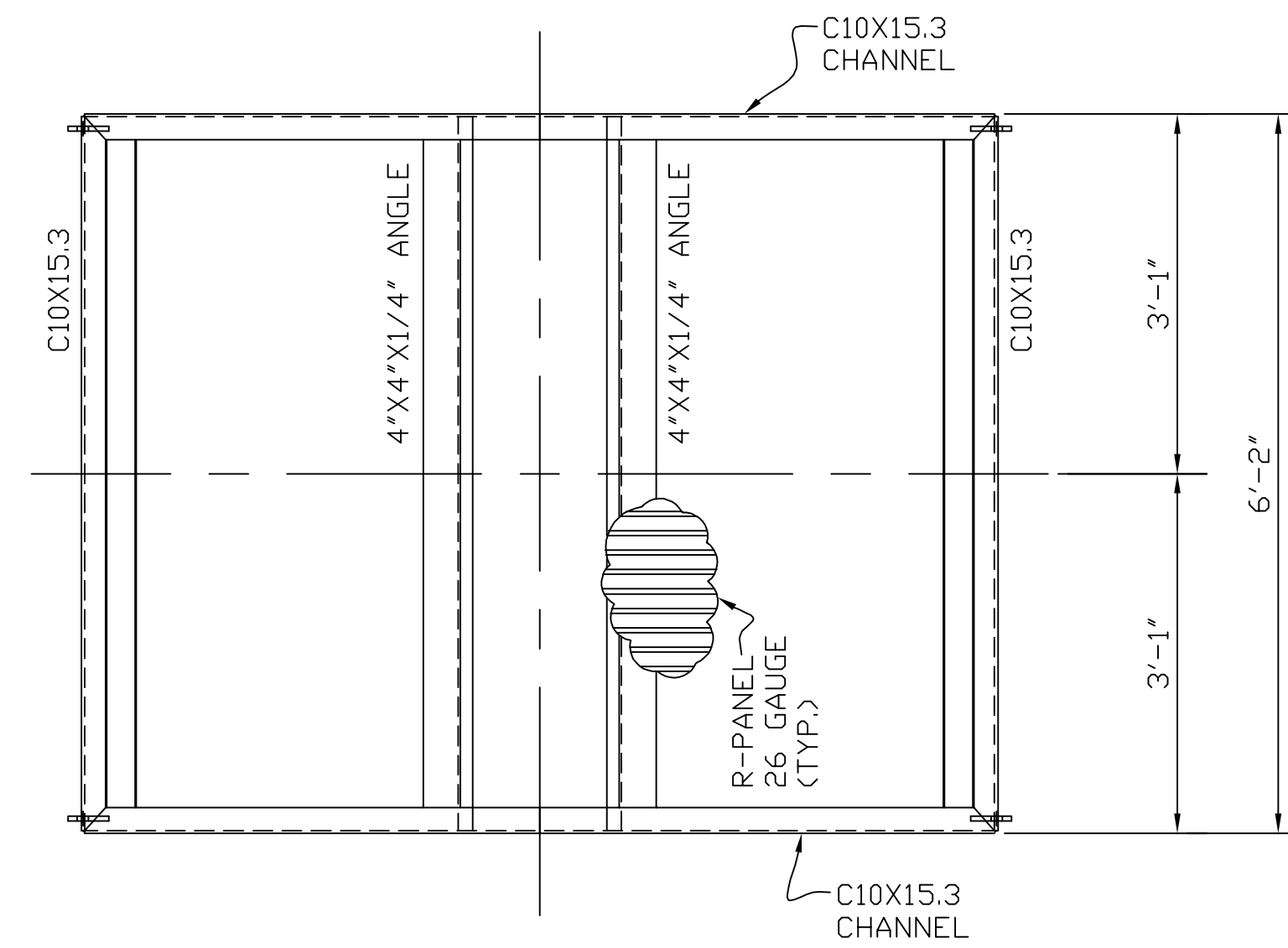
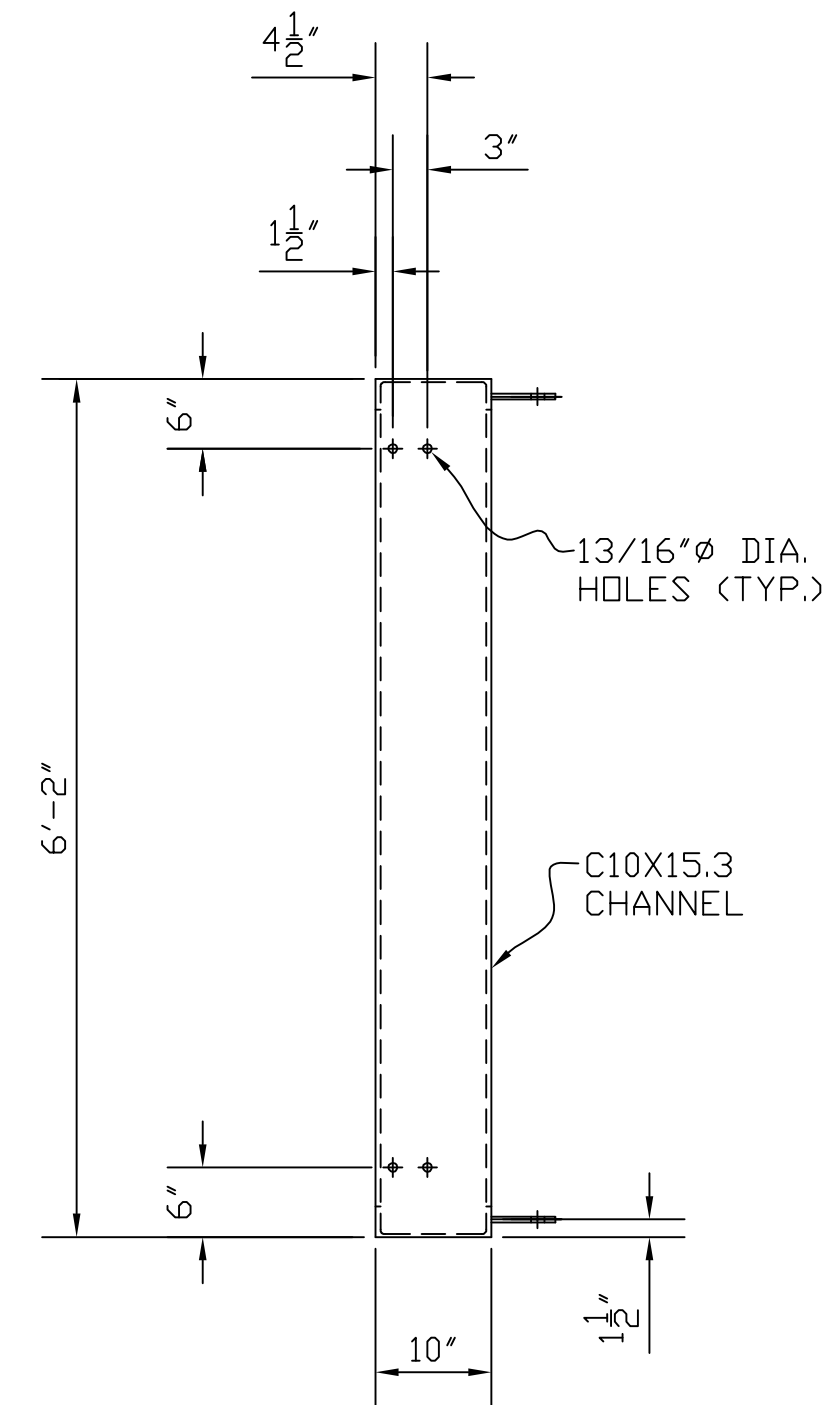


SCALE: NOTED	APPROVED BY:	DRAWN BY: P.M.B.
DATE: 6/24/25	JOB# PF-3555	SHEET 2 OF 4
FIREWATER PUMP BUILDING		
CHEVRON	DWG#	PF-3555-2

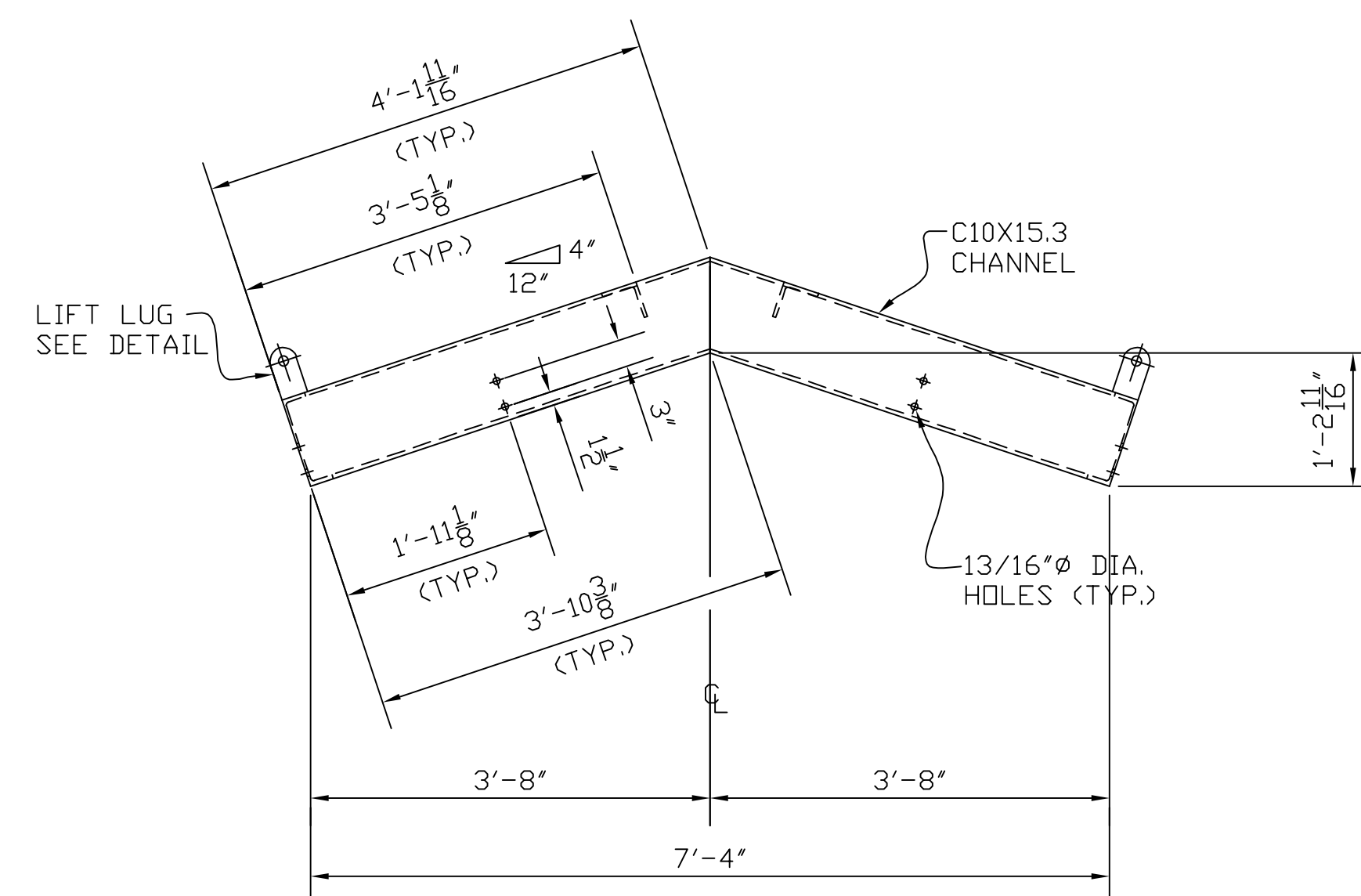
NOTES:

- 1). ALL MATERIAL TO BE "HOT DIPPED GALVANIZED."
- 2). VERIFY MANUFACTURER'S REQUIRED ROUGH OPENING.
- 3). ALL ROOFING & WALLS WILL BE R-RANEL 26 GAUGE WITH TRIM COMPONENTS.
- 4). NO GUTTERS REQUIRED.
- 5). SEE DRAWING #PF-3555-1 FOR ELEVATION DETAILS.
- 6). SEE DRAWING #PF-3555-4 FOR REMOVABLE HATCH (H2) DETAIL.
- 7). DOORS & LOUVERS WILL BE PURCHASED SEPARATE.
- 8). FIELD FIT ALL (3) DOORS.

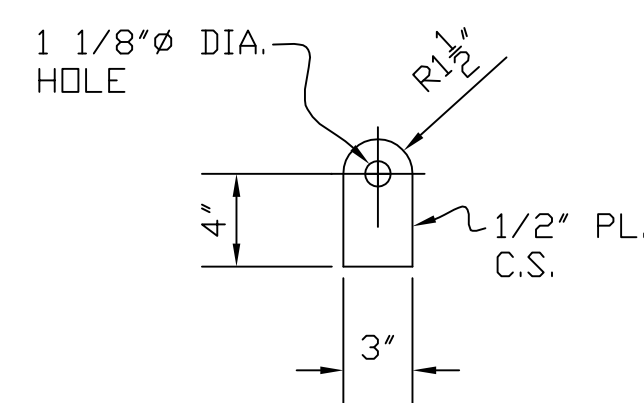
DESIGN LOADS PER ASCE 7, LATEST EDITION AS NOTED BELOW.
 * ROOF LIVE LOAD 20 PSF (MINIMUM)
 * WIND SPEED, V=158 MPH
 * RISK CATEGORY III
 * EXPOSURE C



PLAN VIEW
 SCALE: 3/4"=1'-0"



REMOVABLE HATCH #H1 DETAIL
 SCALE: 3/4"=1'-0"
 (1 REQ'D.)



LIFT LUG DETAIL
 SCALE: 1 1/2"=1'-0"



PICOU-FRADELLA
 CONSTRUCTION, CO.
 CHALMETTE, LA.

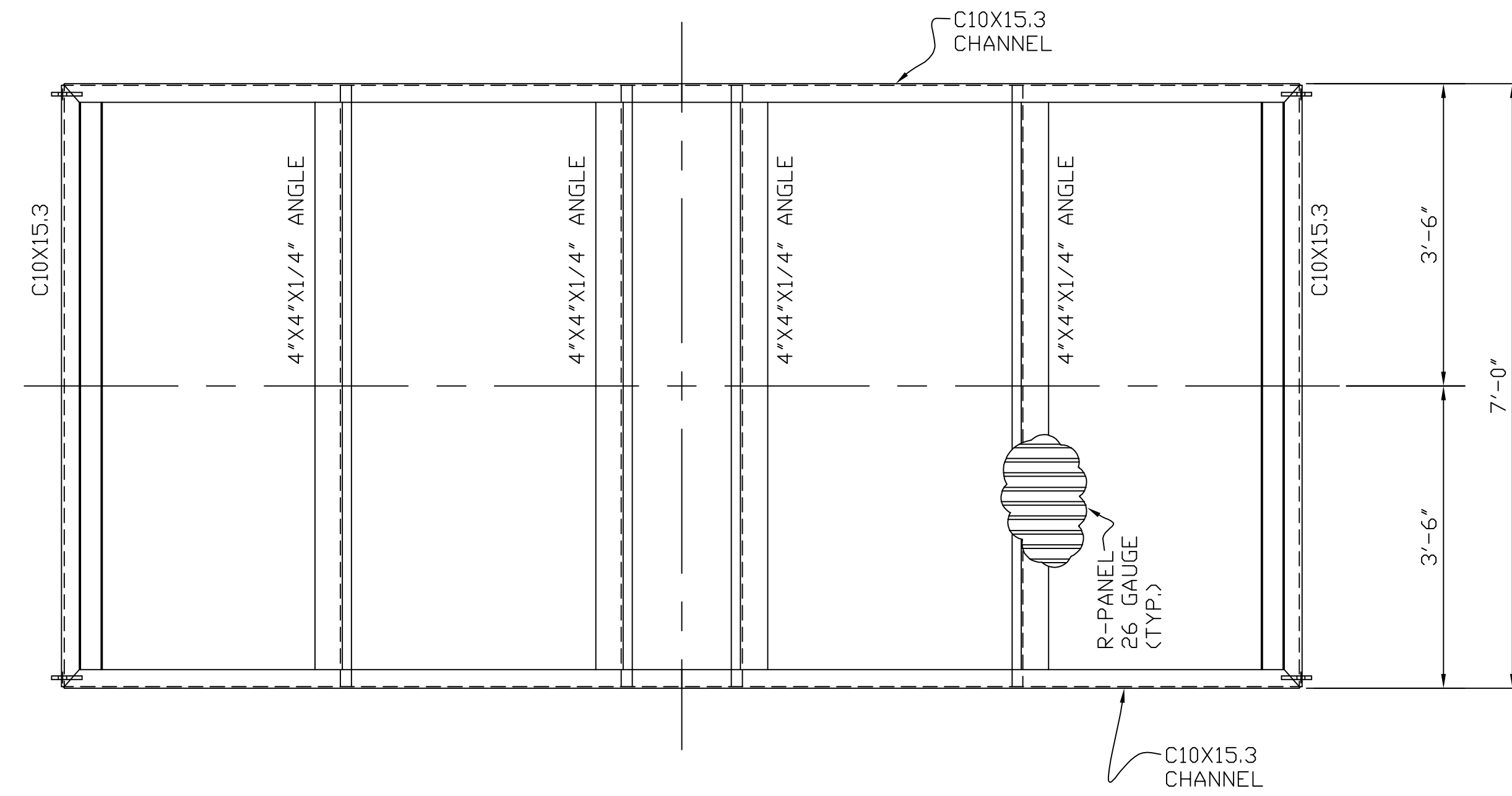
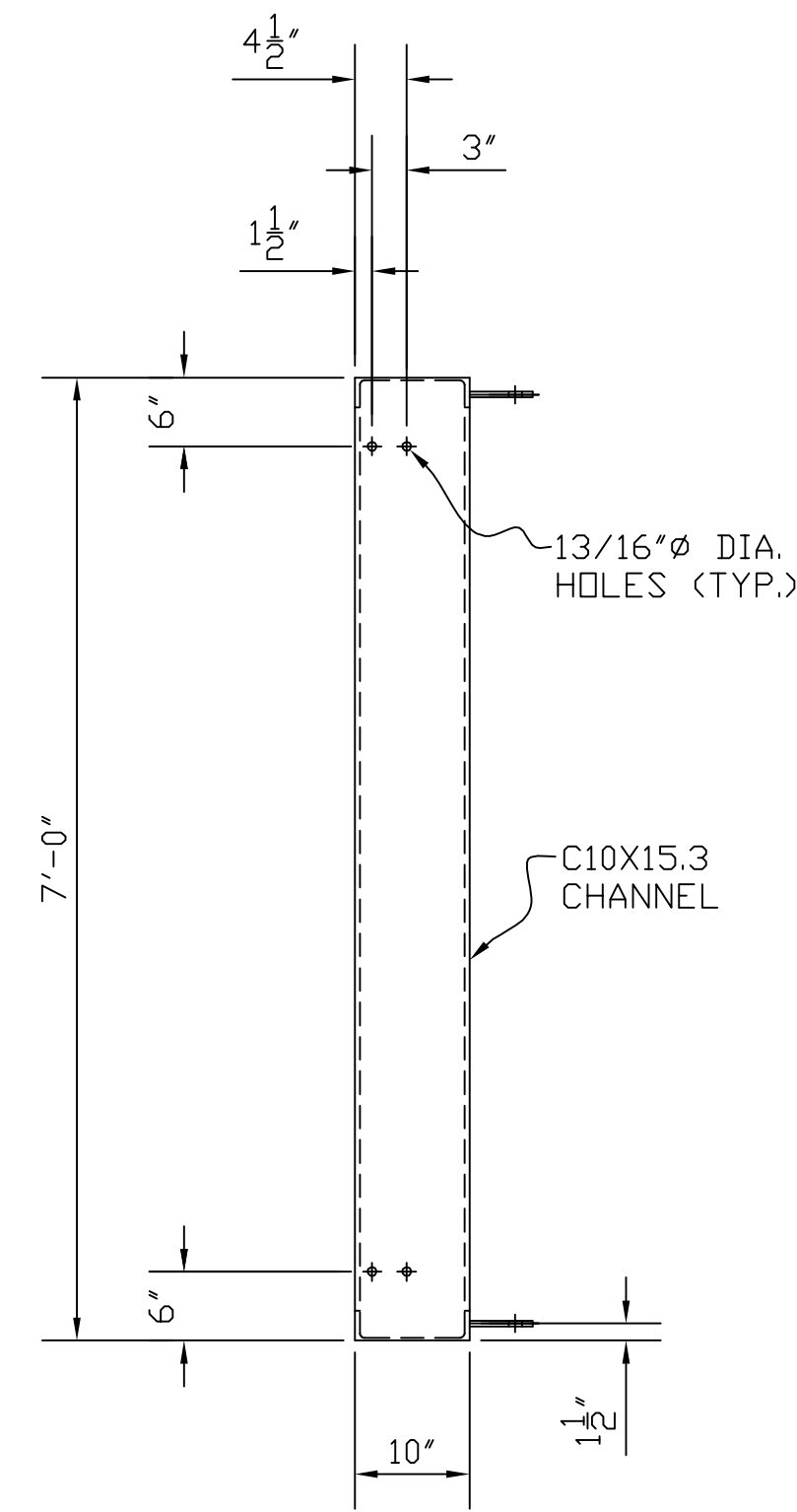
SCALE: NOTED DATE: 6/24/25 APPROVED BY: JOB# PF-3555 DRAWN BY: P.M.B. SHEET 3 OF 4

FIREWATER PUMP BUILDING

CHEVRON DWG# PF-3555-3

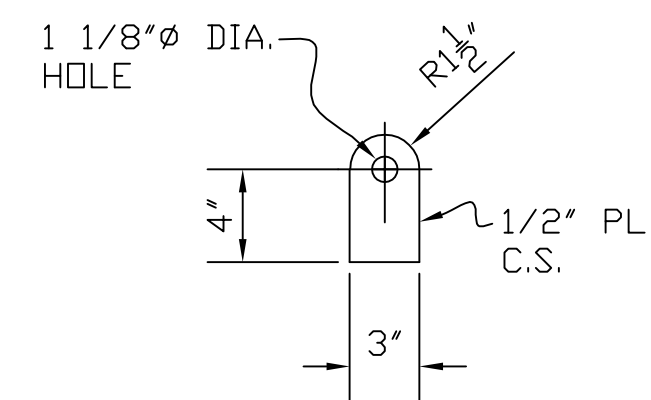


- NOTES:
- 1). ALL MATERIAL TO BE "HOT DIPPED GALVANIZED."
 - 2). VERIFY MANUFACTURER'S REQUIRED ROUGH OPENING.
 - 3). ALL ROOFING & WALLS WILL BE R-RANEL 26 GAUGE WITH TRIM COMPONENTS.
 - 4). NO GUTTERS REQUIRED.
 - 5). SEE DRAWING #PF-3555-1 FOR ELEVATION DETAILS.
 - 6). SEE DRAWING #PF-3555-3 FOR REMOVABLE HATCH (H1) DETAIL.
 - 7). DOORS & LOUVERS WILL BE PURCHASED SEPARATE.
 - 8). FIELD FIT ALL (3) DOORS.

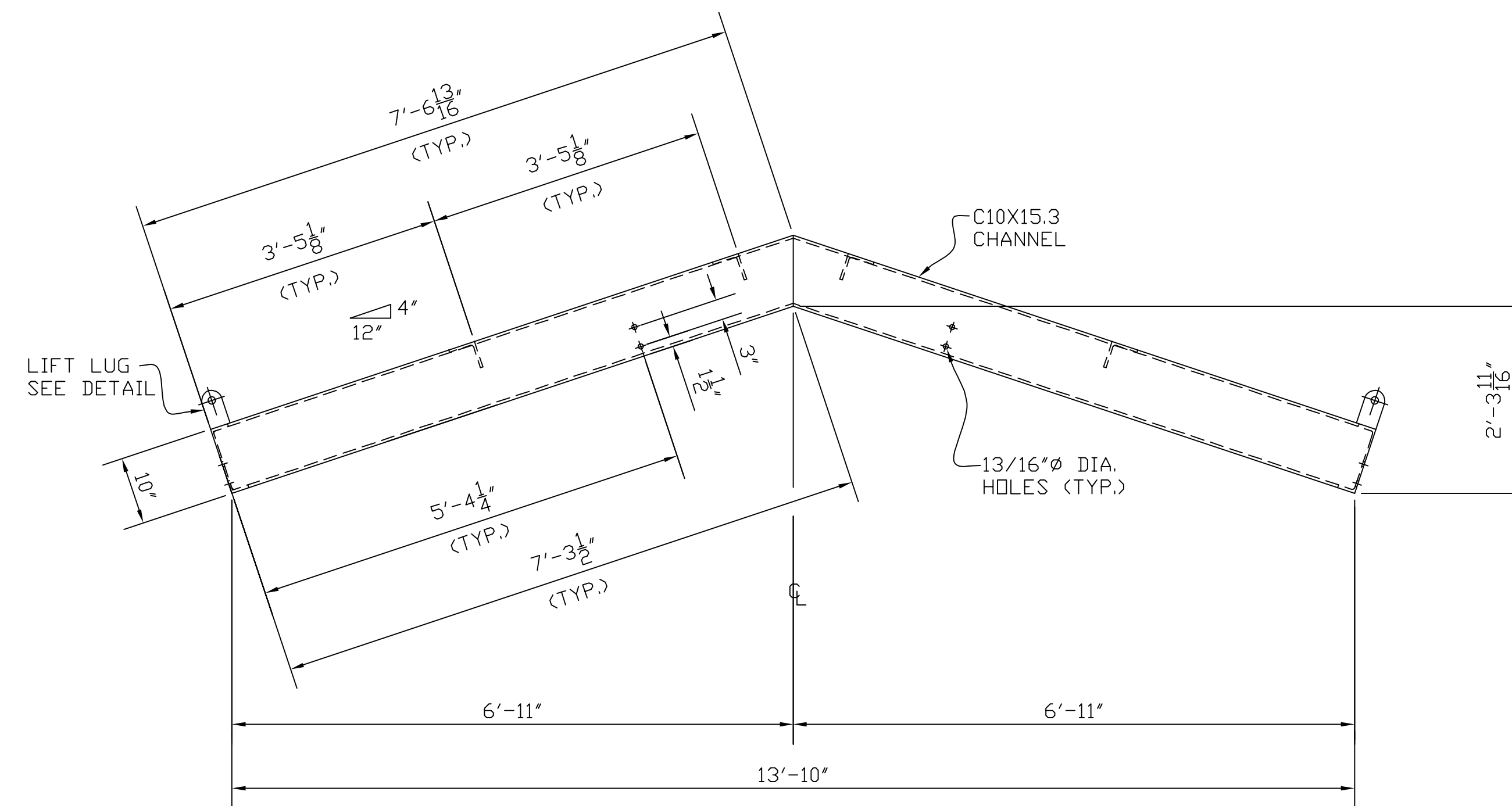


PLAN VIEW
SCALE: 3/4"=1'-0"

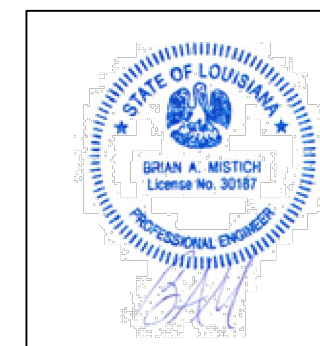
DESIGN LOADS PER ASCE 7, LATEST EDITION AS NOTED BELOW.
 * ROOF LIVE LOAD 20 PSF (MINIMUM)
 * WIND SPEED, V=158 MPH
 * RISK CATEGORY III
 * EXPOSURE C



LIFT LUG DETAIL
SCALE: 1 1/2"=1'-0"



REMOVABLE HATCH #H2 DETAIL
SCALE: 3/4"=1'-0"
(1 REQ'D.)



PICOU-FRADELLA
CONSTRUCTION, CO.
CHALMETTE, LA.



SCALE: NOTED	APPROVED BY:	DRAWN BY: P.M.B.
DATE: 6/24/25	JOB#: PF-3555	SHEET 4 OF 4
FIREWATER PUMP BUILDING		
CHEVRON	DWG#	PF-3555-4