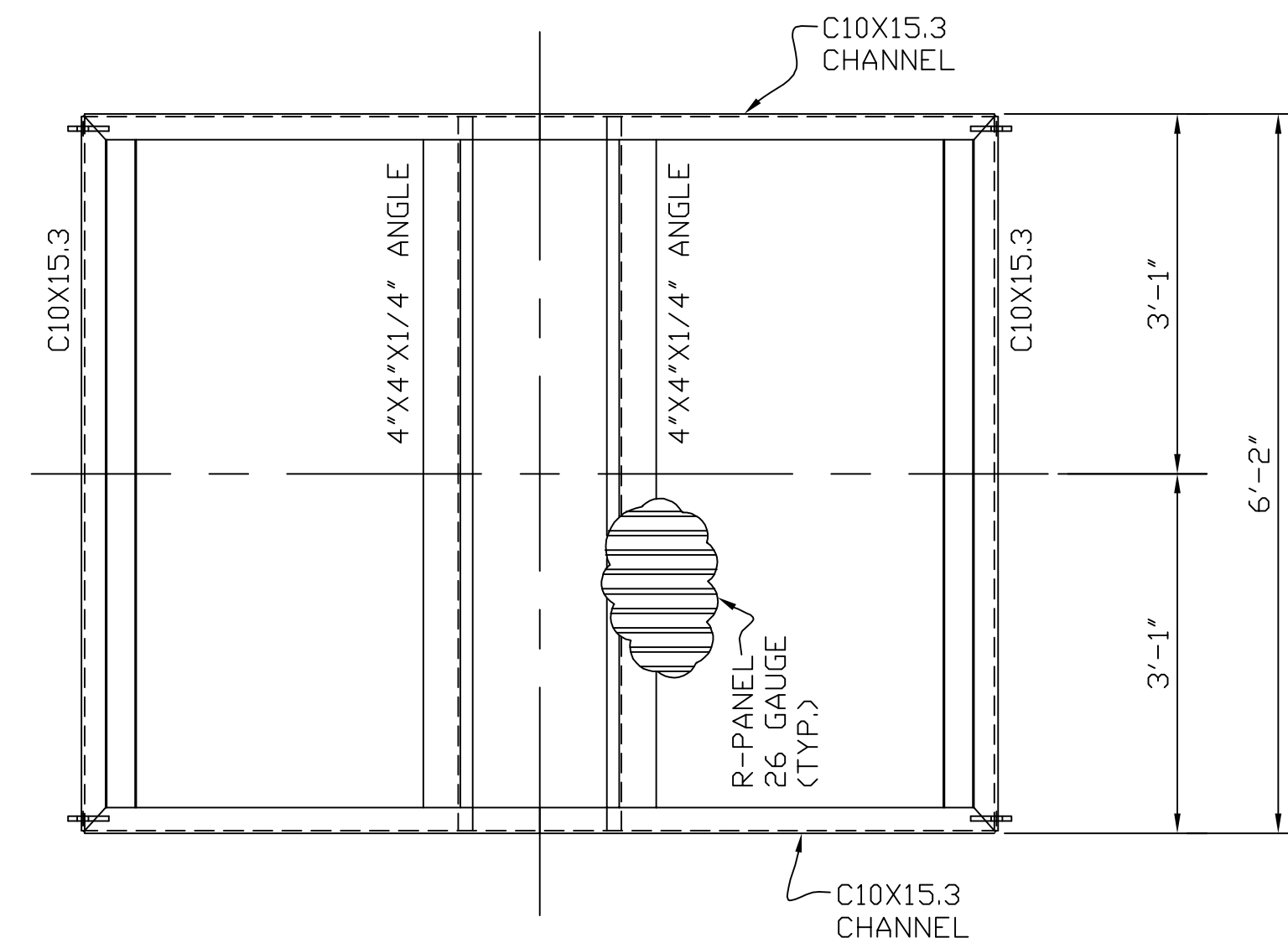
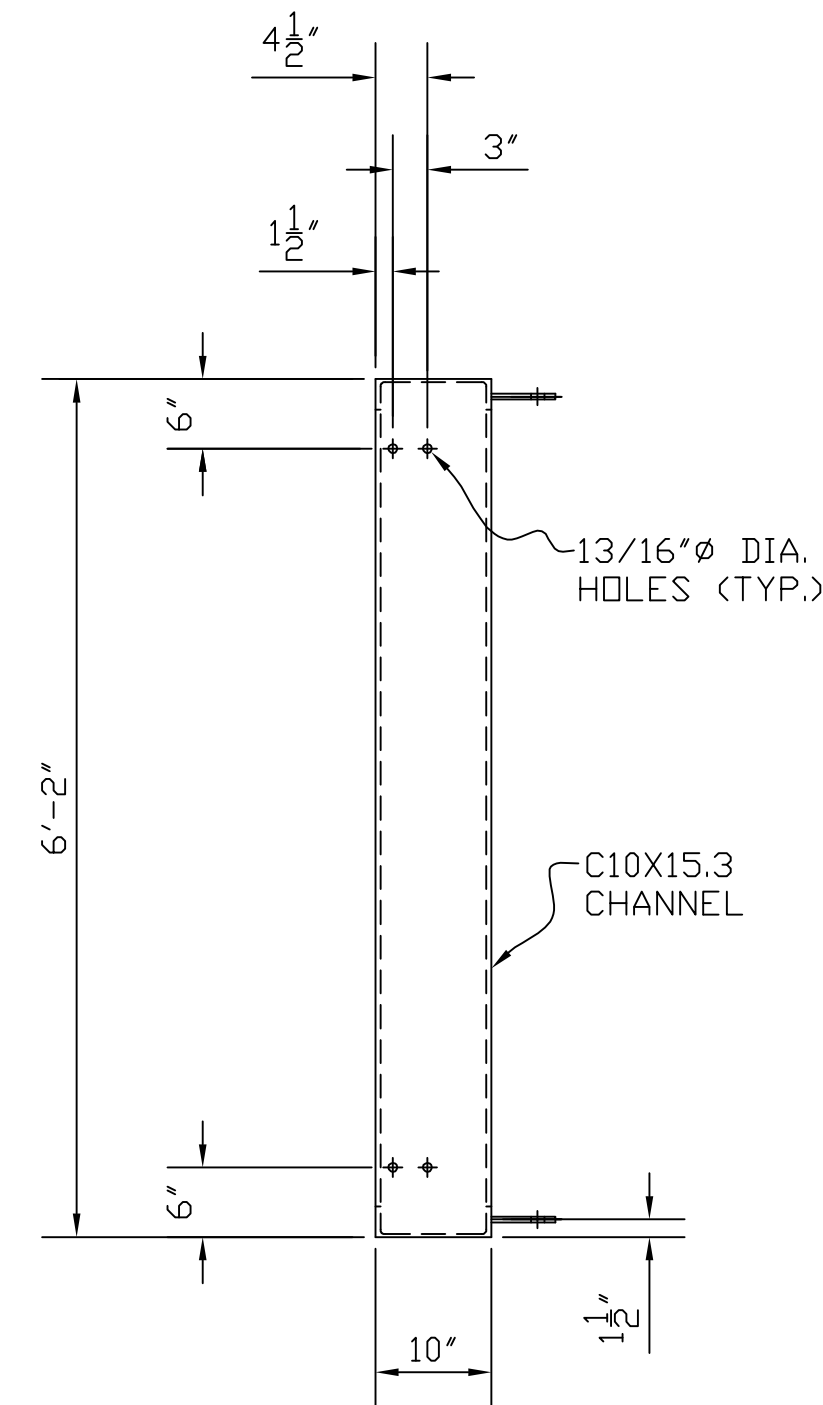


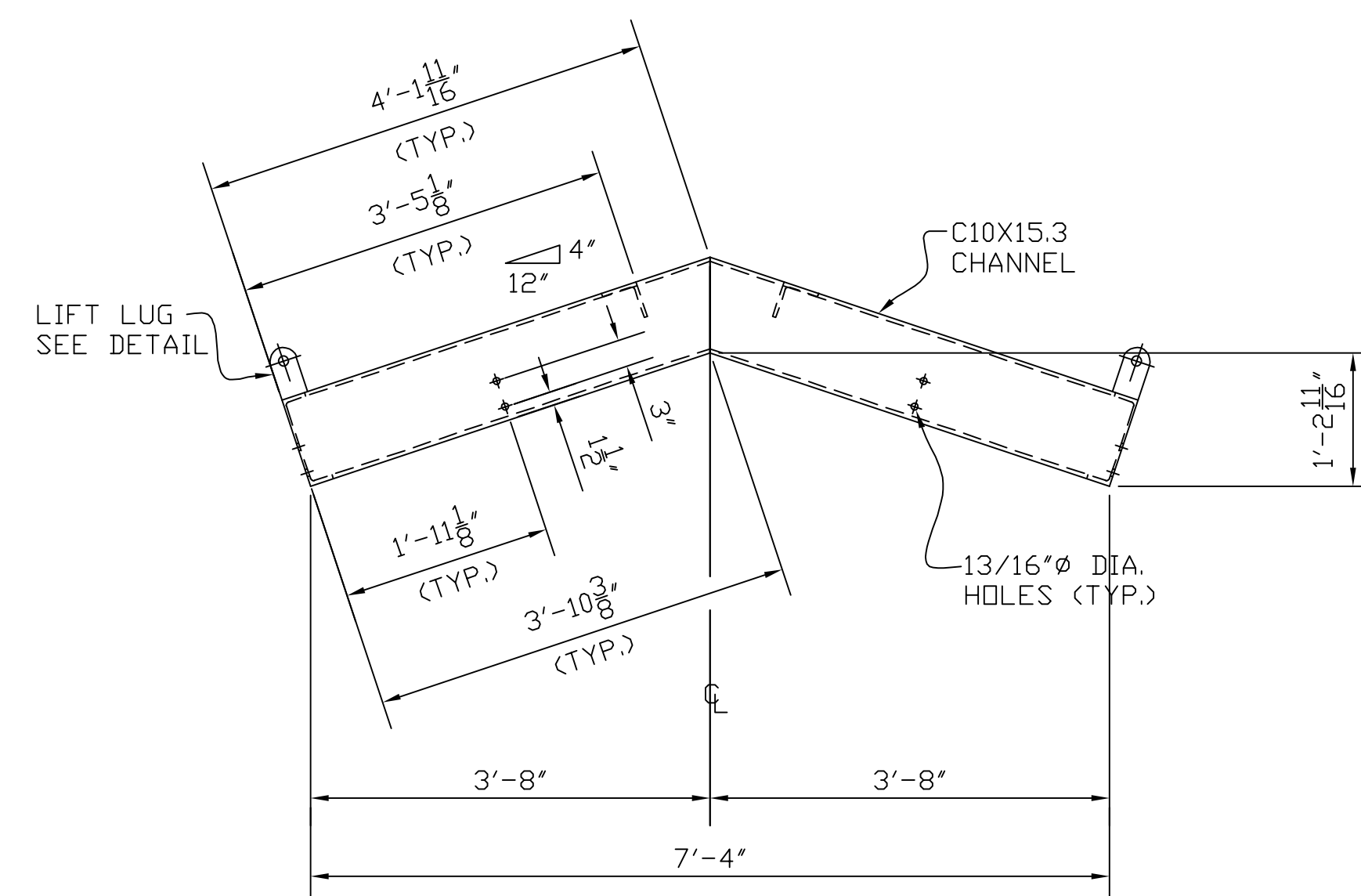
NOTES:

- 1). ALL MATERIAL TO BE "HOT DIPPED GALVANIZED."
- 2). VERIFY MANUFACTURER'S REQUIRED ROUGH OPENING.
- 3). ALL ROOFING & WALLS WILL BE R-RANEL 26 GAUGE WITH TRIM COMPONENTS.
- 4). NO GUTTERS REQUIRED.
- 5). SEE DRAWING #PF-3555-1 FOR ELEVATION DETAILS.
- 6). SEE DRAWING #PF-3555-4 FOR REMOVABLE HATCH (H2) DETAIL.
- 7). DOORS & LOUVERS WILL BE PURCHASED SEPARATE.
- 8). FIELD FIT ALL (3) DOORS.

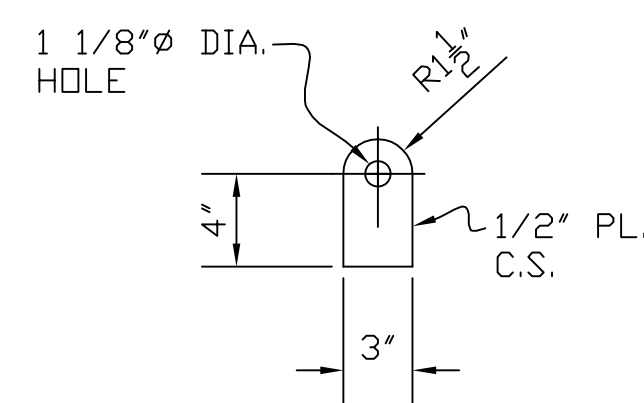
DESIGN LOADS PER ASCE 7, LATEST EDITION AS NOTED BELOW.
 * ROOF LIVE LOAD 20 PSF (MINIMUM)
 * WIND SPEED, V=158 MPH
 * RISK CATEGORY III
 * EXPOSURE C



PLAN VIEW
 SCALE: 3/4"=1'-0"



REMOVABLE HATCH #H1 DETAIL
 SCALE: 3/4"=1'-0"
 (1 REQ'D.)



LIFT LUG DETAIL
 SCALE: 1 1/2"=1'-0"



PICOU-FRADELLA
 CONSTRUCTION, CO.
 CHALMETTE, LA.

SCALE: NOTED APPROVED BY: DRAWN BY: P.M.B.
 DATE: 6/24/25 JOB# PF-3555 SHEET 3 OF 4

FIREWATER PUMP BUILDING

CHEVRON DWG# PF-3555-3



354 Old Spanish Trail Slidell, LA 70458 (985) 649-8832