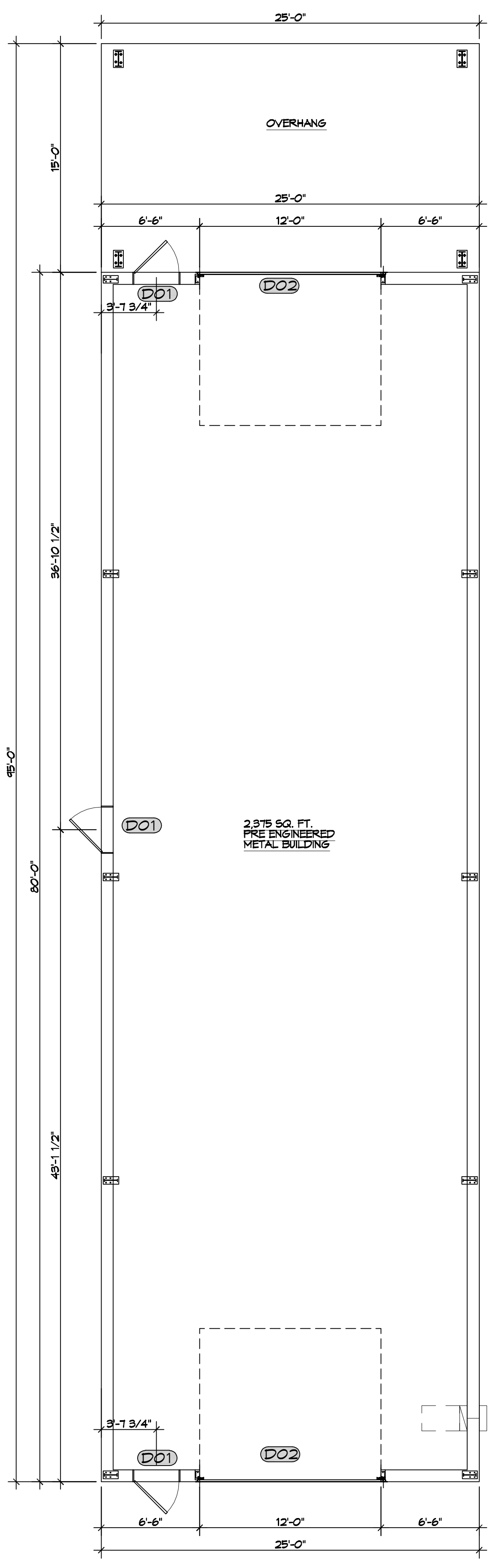


**8 WAREHOUSE ADDITION**  
SCALE: 3/32" = 1'-0"  
OVERALL PLAN

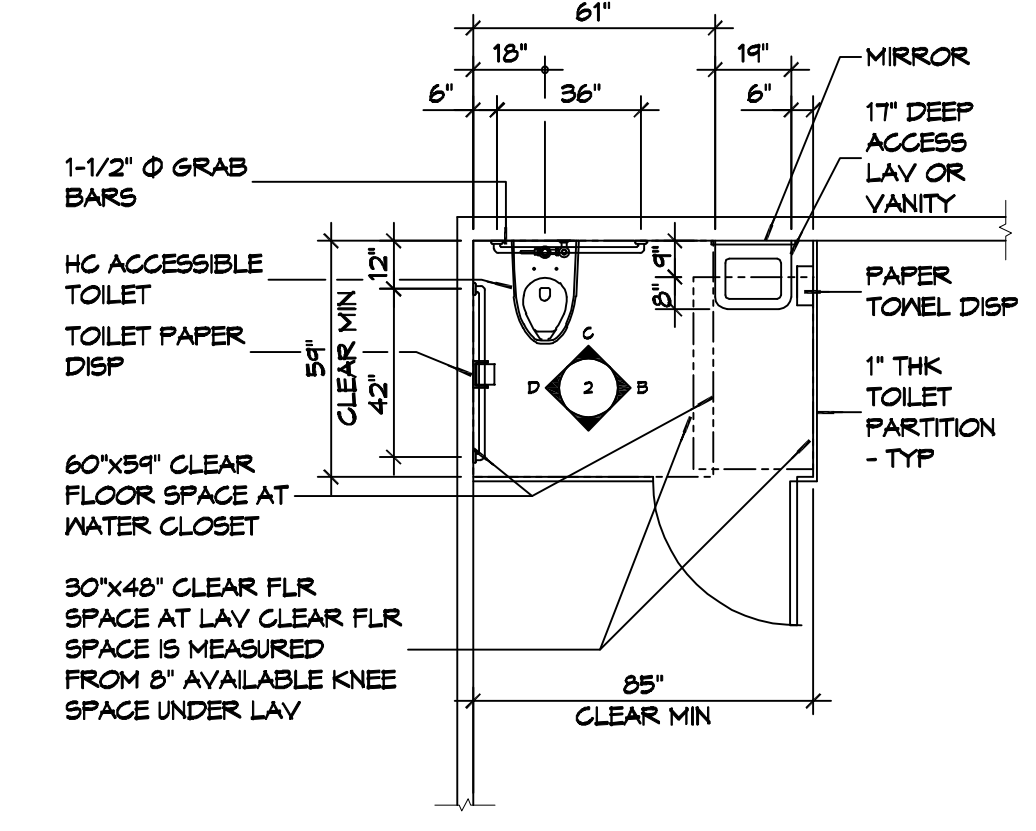


**9 NEW WAREHOUSE**  
SCALE: 3/16" = 1'-0"  
OVERALL PLAN

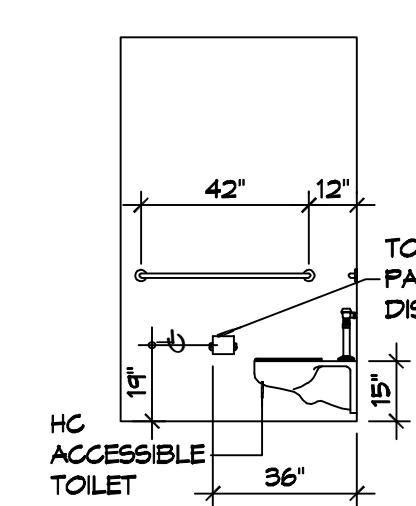
| FINISH SCHEDULE |                       |      |              |              |       |
|-----------------|-----------------------|------|--------------|--------------|-------|
| ROOM            | FLOOR                 | BASE | CEILING      | WALLS        | NOTES |
| WAREHOUSE       | BROOM FINISH CONCRETE | N/A  | OPEN TO ROOF | METAL PANELS |       |

| DOOR SCHEDULE |        |        |        |          |       |    |                       |
|---------------|--------|--------|--------|----------|-------|----|-----------------------|
| MK            | WIDTH  | HEIGHT | THK    | DOOR MAT | FRAME | FR | REMARKS               |
| D01           | 3'-0"  | 6'-8"  | 1-3/4" | STEEL    | MTL   | NR | INSULATED WITH CLOSER |
| D02           | 12'-0" | 14'-0" | -      | STEEL    | MTL   | NR | ROLL UP DOOR          |
| D03           | 12'-0" | 12'-0" | -      | STEEL    | MTL   | NR | ROLL UP DOOR          |
| D04           | 12'-0" | 12'-0" | -      | -        | MTL   | -  | CASED OPENING         |
| D05           | 3'-0"  | 6'-8"  | 1-3/4" | MASONITE | WOOD  | NR | WITH DOOR CLOUSE      |

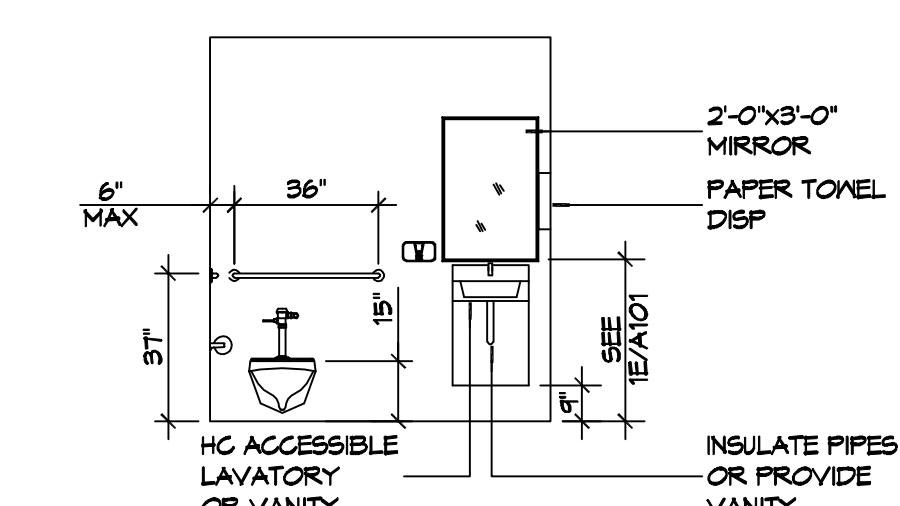
NOTE: ALL DOORS ARE TO BE FITTED WITH COMMERCIAL GRADE HARDWARE AND HANDLES.  
ALL EXTERIOR DOOR ASSEMBLIES TO BE RATED FOR 140 MPH WINDS AND SHALL BE MEGILE IMPACT RESISTANT.  
DOORS IN A REQUIRED MEANS OF EGRESS SERVING ANY ASSEMBLY AREA HAVING AN OCCUPANT LOAD OF 50 OR MORE PERSONS SHALL NOT BE EQUIPPED WITH A LATCH OR LOCK OTHER THAN PANIC HARDWARE OR FIRE EXIT HARDWARE.



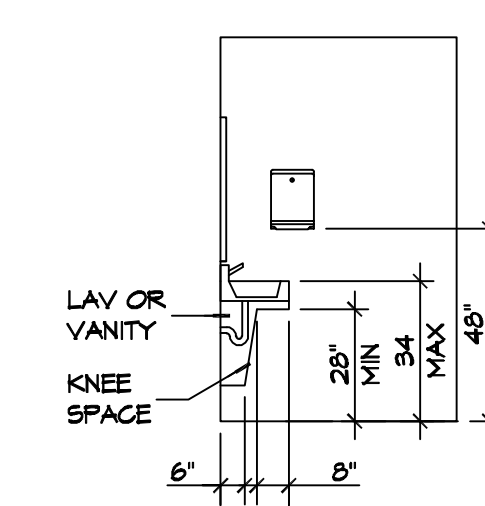
**A FLOOR PLAN**



**B INTERIOR ELEVATION**



**C INTERIOR ELEVATION**



**D INTERIOR ELEVATION**

**10 RESTROOM CLEARANCES**  
SCALE: 1/4" = 1'-0"

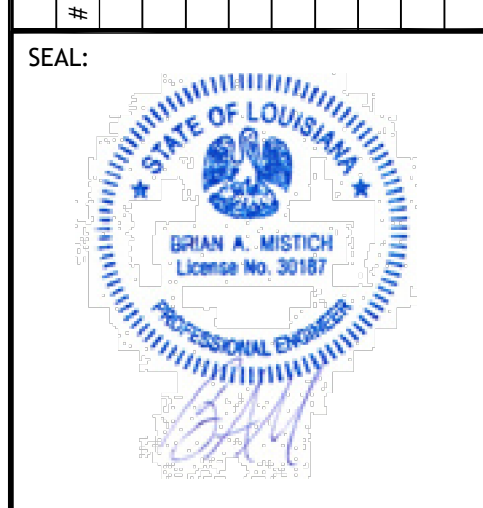
**GENERAL NOTES**

- INSULATION AND INSULATION ASSEMBLIES SHALL MEET THE REQUIREMENTS OF IBC 2021 SECTION T20.
  - CONCEALED INSULATION SHALL HAVE A FLAME SPREAD OF 0-25 AND SMOKE DEVELOPED INDEX OF 0-450.
  - FACING SHALL COMPLY WITH IBC 2021.
- ALL MATERIALS SHALL BE NEW AND UL LISTED.
- NO WORK SHALL BE CONCEALED UNTIL APPROVED BY LOCAL INSPECTORS.
- CONSTRUCTION SHALL COMPLY WITH ALL PARISH, STATE, AND LOCAL CODES.
- CONTRACTOR TO GUARANTEE WORK FOR ONE YEAR FROM DATE OF SUBSTANTIAL COMPLETION.
- CONTRACTOR SHALL FURNISH WATER AND POWER FROM EXISTING SOURCES.
- EXTERIOR GULLING SHALL BE THICK CAULK.
- PAINT SHALL BE SHERWIN WILLIAMS OR EQUIVALENT AND APPROPRIATE FOR THE SUBSTRATE TO WHICH IT IS APPLIED AS RECOMMENDED BY PAINT MANUFACTURER. ALL WORK TO RECEIVE THREE COATS (ONE PRIMER COAT, TWO FINISH COATS) UNLESS OTHERWISE RECOMMENDED BY PAINT MANUFACTURER. COLORS TO BE SELECTED BY OWNER.
- PROVIDE CLEANUP ON A REGULAR BASIS. NO TRASH SHALL BE STORED INSIDE BUILDING PREMISES.
- USE 2X6 STUDS, OR TWO 2X4 STAGGERED STUDS WITH 2X6 SILL PLATE AT ALL WALLS WHERE 4" PIPE IS INDICATED. SEE PLUMBING RISER DIAGRAM FOR PIPE SIZE.
- PROVIDE GALVANIZED METAL PAN WITH DRAIN AT ALL WATER HEATERS.
- ALL FLOORING SHALL MEET OR EXCEED ADA GUIDELINES REQUIREMENTS FOR SLIP RESISTANCE.
- INTERIOR LOCKS ON DOORS IN MEANS OF EGRESS SHALL NOT REQUIRE THE USE OF A KEY, SPECIAL KNOWLEDGE, OR SPECIAL DEVICE TO OPEN IN THE DIRECTION OF EGRESS. ALL DOORS SHALL HAVE LEVER TYPE HANDLES.
- INTERIOR WALLS AND CEILING SHALL HAVE A FLAME SPREAD OF 0-200 AND A SMOKE DEVELOPMENT RATING OF 0-450; PER IBC 2015.
- ALL WORK SHALL COMPLY WITH THE LATEST EDITION OF ALL LOCAL, STATE, AND NATIONAL CODES COVERING THE TYPE OF WORK BEING PERFORMED.
- PROVIDE PORTABLE FIRE EXTINGUISHERS IN ACCORDANCE WITH NFPA 101. SEE APPENDIX "E" OF NFPA 101 FOR DISTRIBUTION OF EXTINGUISHERS.
- ALL FIRE WALLS SHALL EXTEND TIGHT TO ROOF DECK AND BE SEALED WITH AN APPROVED FIRE CAULK.
- ALL ELECTRICAL, MECHANICAL, AND PLUMBING MATERIALS PENETRATING FIRE WALLS SHALL BE FIRE CAULKED. (PENETRATIONS THROUGH RATED CONSTRUCTION SHALL BE SEALED WITH A MATERIAL CAPABLE OF PREVENTING THE PASSAGE OF FLAMES AND HOT GASES WHEN TESTED IN ACCORDANCE WITH ASTM-E814.) SEAL ALL JOINTS, PENETRATIONS, AND ALL OTHER SUCH OPENINGS IN THE BUILDING ENVELOPE THAT ARE SOURCES OF AIR LEAKAGE.
- SERVICE COUNTERS SHALL HAVE AN ACCESSIBLE WRITING SURFACE IN COMPLIANCE WITH ADAAG ACCESSIBILITY GUIDELINES 2010, SECTION 402.3.

**DAMMON ENGINEERING, INC.**  
LOUISIANA & MISSISSIPPI  
www.dammonengineering.com  
info@dammonengineering.com  
PH: 985.649.8822

Chief Engineer: Brian Mistich, PE  
554 Old Spanish Trail  
Stellat, LA 70458

| REVISIONS | DATE        |
|-----------|-------------|
| #         | DESCRIPTION |



**NEW WAREHOUSES SPECIALTY DESIGN & IMAGING**

405 SOUTH STREET  
SUITE 10460  
LAFAYETTE, LA 70503

JOB No: 244B DATE: 08-21-2025  
DRAWN BY: CKD CHECKED BY: JMS

SHEET TITLE:  
**WAREHOUSE ADDITION AND NEW WAREHOUSE FLOOR PLAN**

DRAWING NUMBER:  
**A101**

SHEET No: 6 of 16