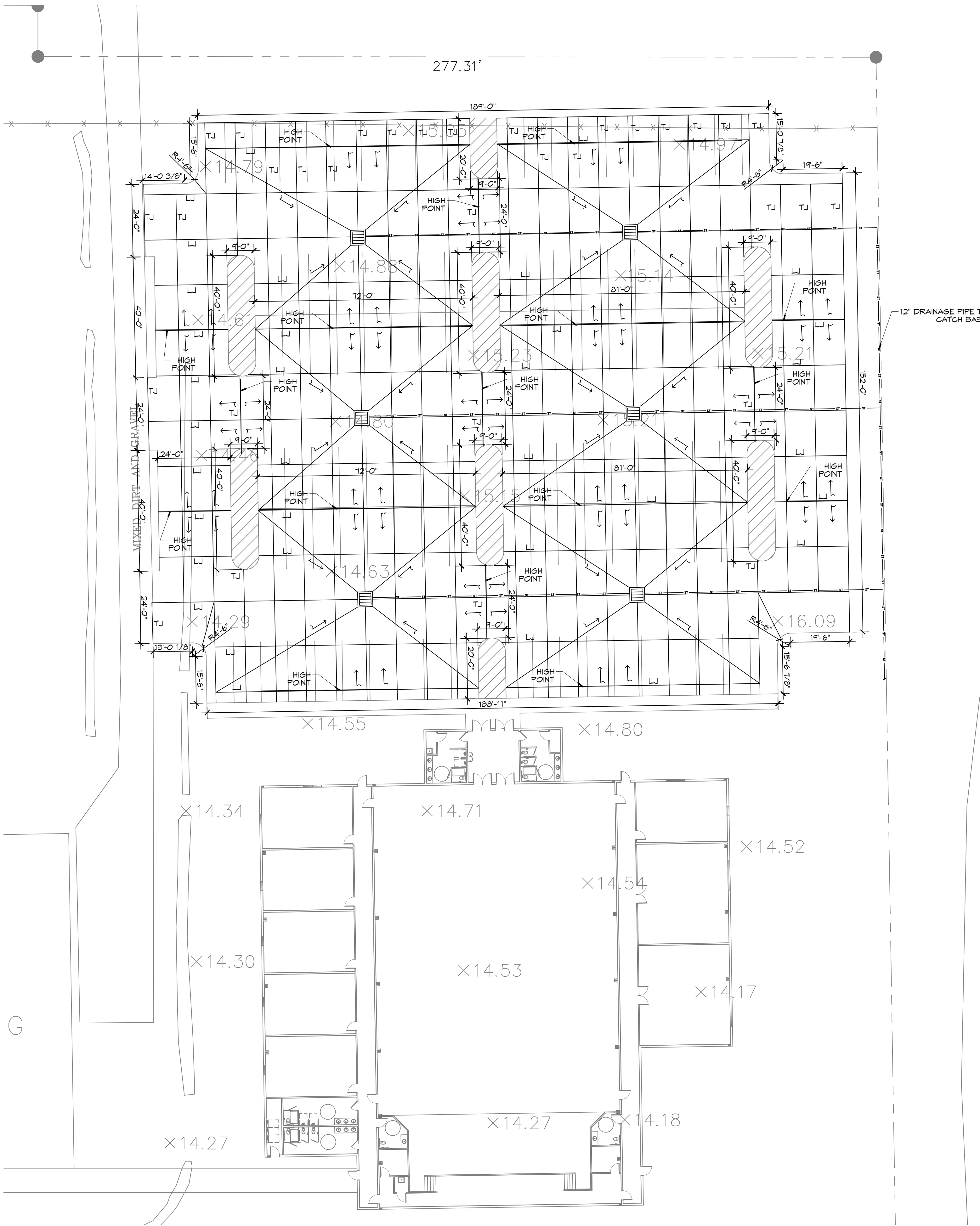


FILE NAME: J:\Projects\Projects\2022 - Pope John High School Auditorium\Drawings\C103 - Site Paving Plan.dwg PLOT DATE: 08/28/2024 10:05:10 AM

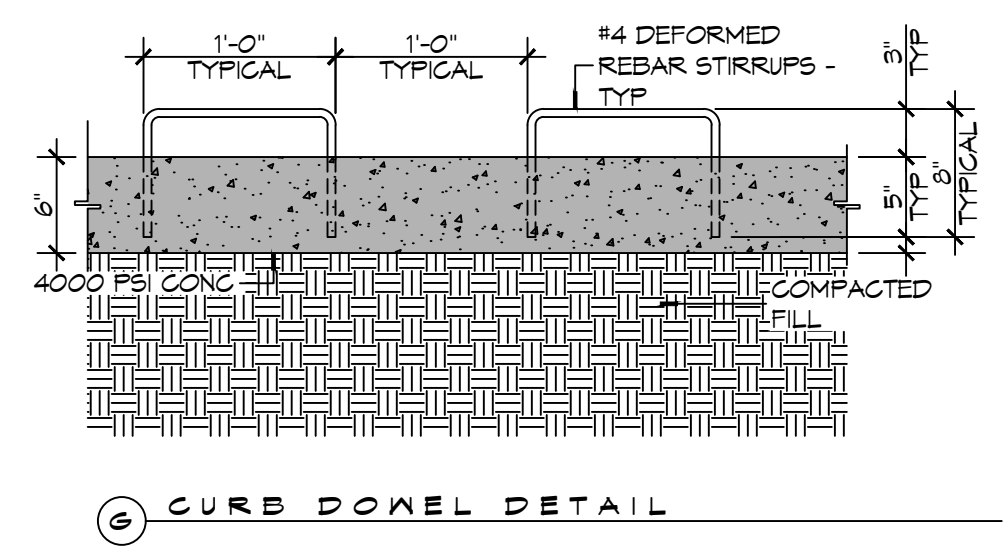
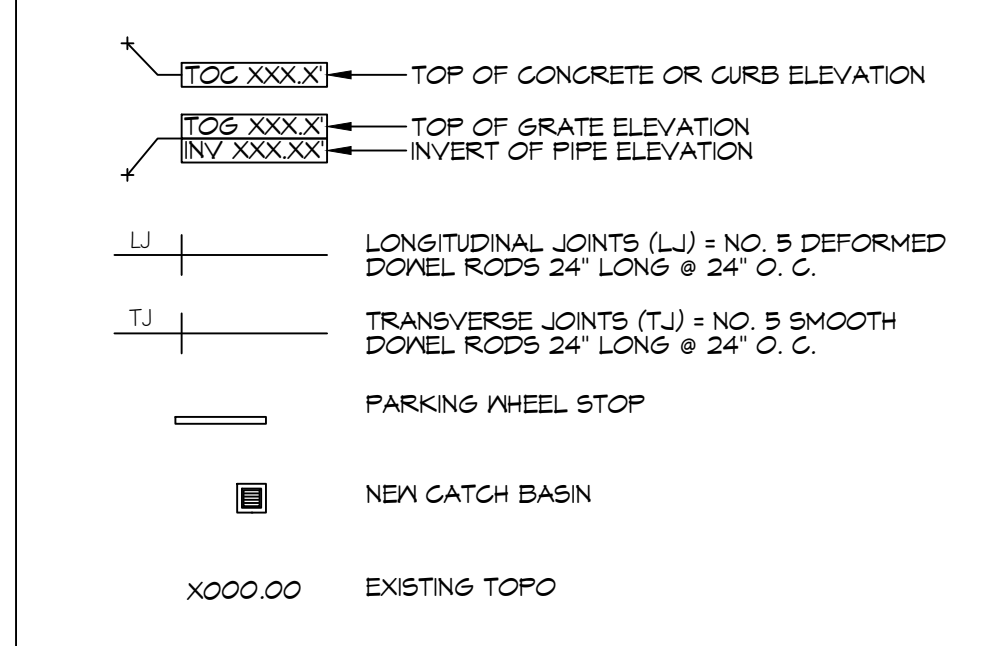


PAVING PLAN
SCALE: 1" = 20'-0"

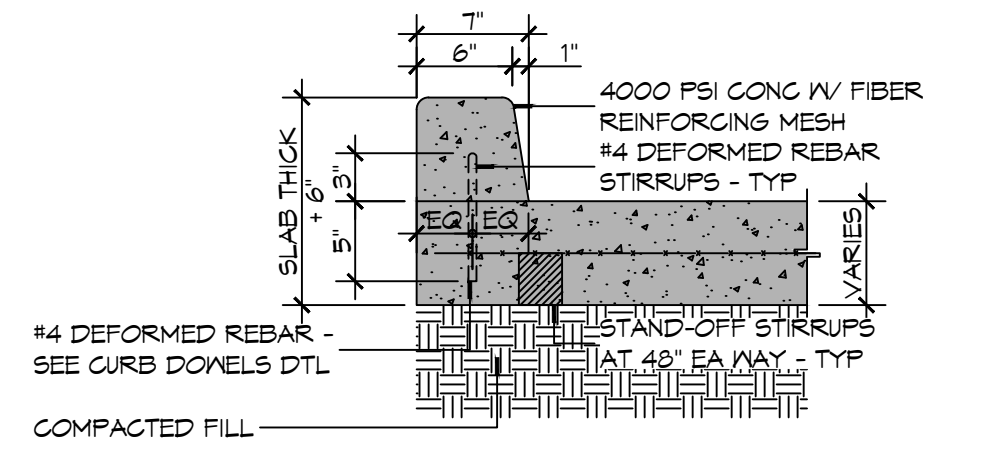
GENERAL PAVING NOTES

- ALL NEW CONCRETE SHALL HAVE A MINIMUM COMPRESSIVE STRENGTH OF 4,000 PSI AT 28 DAYS AND A MINIMUM THICKNESS OF 6". CONCRETE MIX SHALL BE IN ACCORDANCE WITH THE LATEST REVISION OF ASTM C-150 TYPE 1.
- CONCRETE PAVING THICKNESS SHALL VARY AS FOLLOWS:
 - APRONS & LOADING AREAS = 8" THICKNESS (INDICATED WITH CROSS HATCH WHERE OCCURS)
 - DRIVE LANES & PARKING AREAS = 6" THICKNESS (STANDARD UNO)
- ALL REINFORCING STEEL SHALL MEET ASTM-A615 (GRADE 60).
- ALL REINFORCING STEEL SHALL BE SECURELY SUPPORTED TO PREVENT BOTH VERTICAL AND HORIZONTAL MOVEMENT DURING CONCRETE PLACEMENT. ALL CONTROL AND EXPANSION JOINTS SHALL BE LOCATED AND INSTALLED AS SHOWN ON THE PAVING PLAN AND IN ACCORDANCE WITH THE MANUFACTURER'S RECOMMENDATIONS.
- ALL SUB GRADE FILL SHALL BE SELECT GRANULAR MATERIAL COMPACTED TO 95% STANDARD PROCTOR DENSITY IN A MAXIMUM OF 6" LIFTS.
- ANY WORK WITHIN THE ROADWAY OR ADJACENT TO THE ROADWAY CAUSING AN INTERFERENCE TO VEHICULAR TRAFFIC MUST CONFORM TO THE REQUIREMENTS SET FORTH BY THE UNIFORM MANUAL OF TRAFFIC CONTROL DEVICES OF THE STATE OF LOUISIANA. THE CONTRACTOR MUST FURNISH ALL NECESSARY TRAFFIC SIGNS AND/OR BARRICADES AND MAINTAIN THEM DURING CONSTRUCTION ACTIVITY.

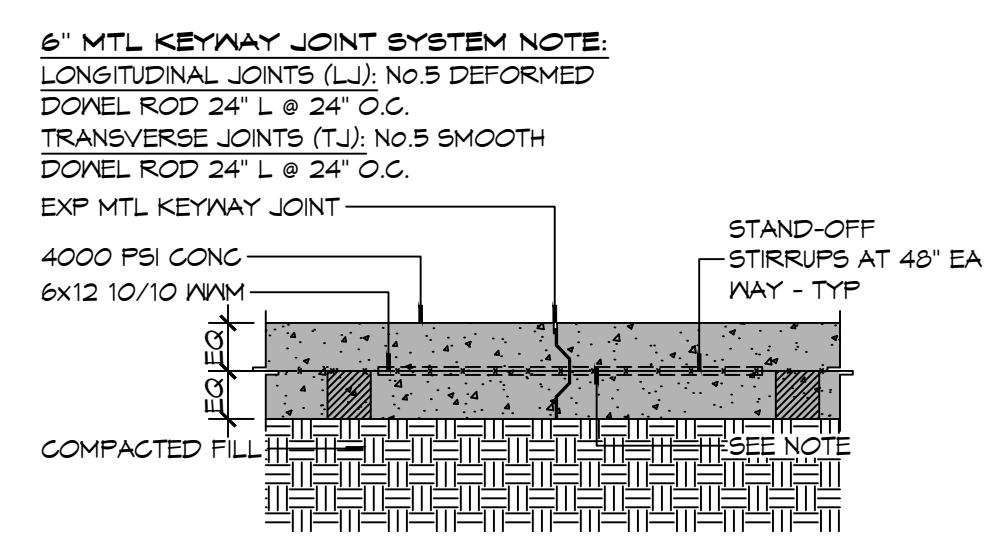
PAVING LEGEND



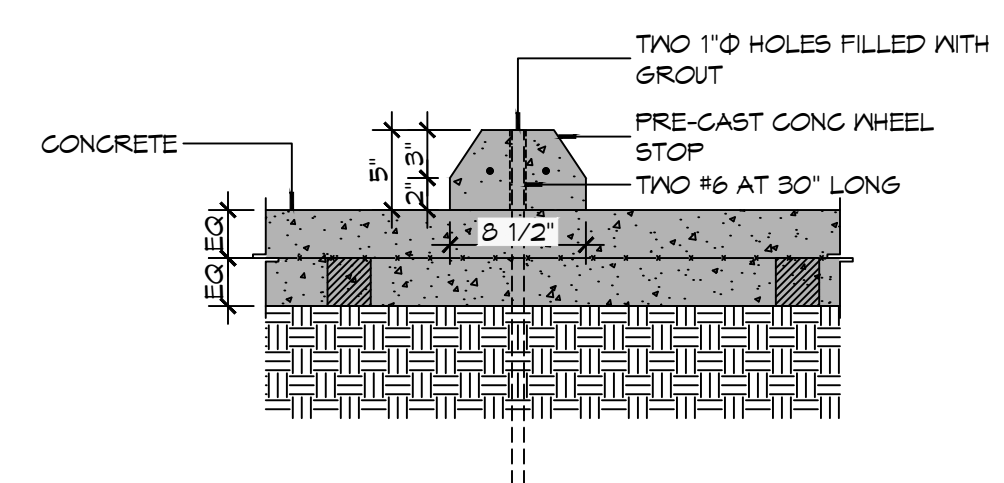
C CURB DETAIL



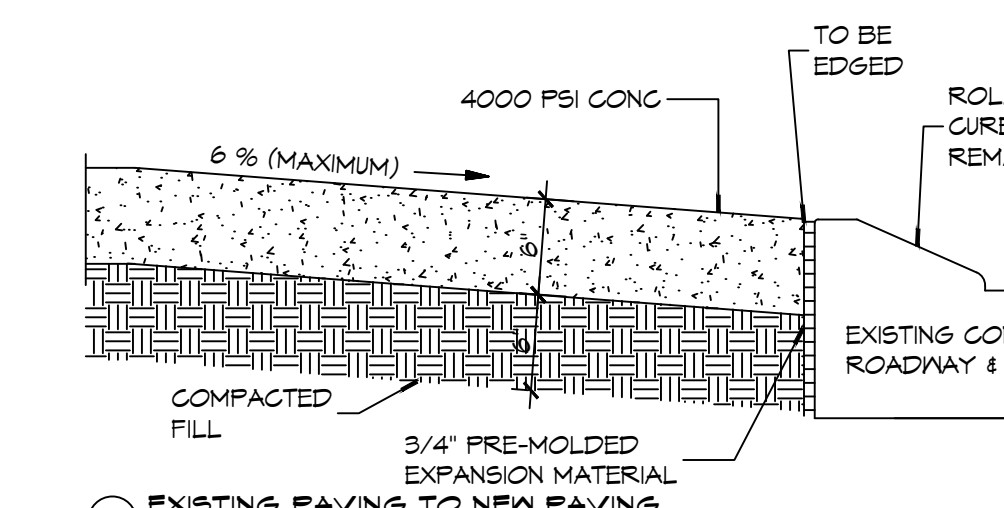
F TYPICAL CURB



E TYPICAL PAVEMENT JOINT



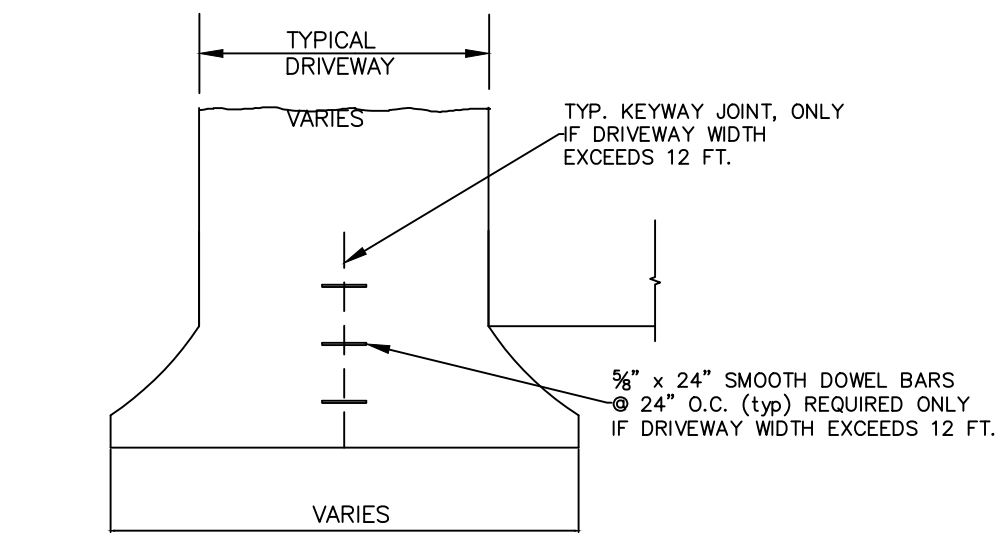
D TYPICAL WHEEL STOP



C EXISTING PAVING TO NEW PAVING

NOTE:
ALL DRIVEWAYS IN R/W SHALL BE MINIMUM 6" THICK CONCRETE OVER 6" COMPACTED SAND BASE. CONCRETE SHALL BE 4000 PSI, REINFORCED WITH POLYPROPYLENE FIBERS (1-1/2 ONE-POUND BAGS PER C.Y. OF CONCRETE)

PAVING DETAILS
SCALE: 1" = 1'-0"



CONCRETE DRIVEWAY APRON
N.T.S.

CONCRETE APRON
SCALE: N.T.S.

DAMMON ENGINEERING, INC.
LOUISIANA & MISSISSIPPI
Chief Engineer: Brian Whitich, PE
554 Old Spanish Trail
Slidell, LA 70468
www.dammonengineering.com
info@dammonengineering.com
PH: 985.649.5832 F: 985.641.9950

#	DESCRIPTION	DATE

#	DESCRIPTION	DATE

NEW AUDITORIUM
POPE JOHN PAUL HIGH SCHOOL
1901 JAGUAS DR
SLIDELL, LA 70461
JOB No: 2522 DATE: 01-28-2026
DRAWN BY: CKD CHECKED BY: BAW

SHEET TITLE:
PAVING PLAN
DRAWING NUMBER:
C103
SHEET No: 5 of 17