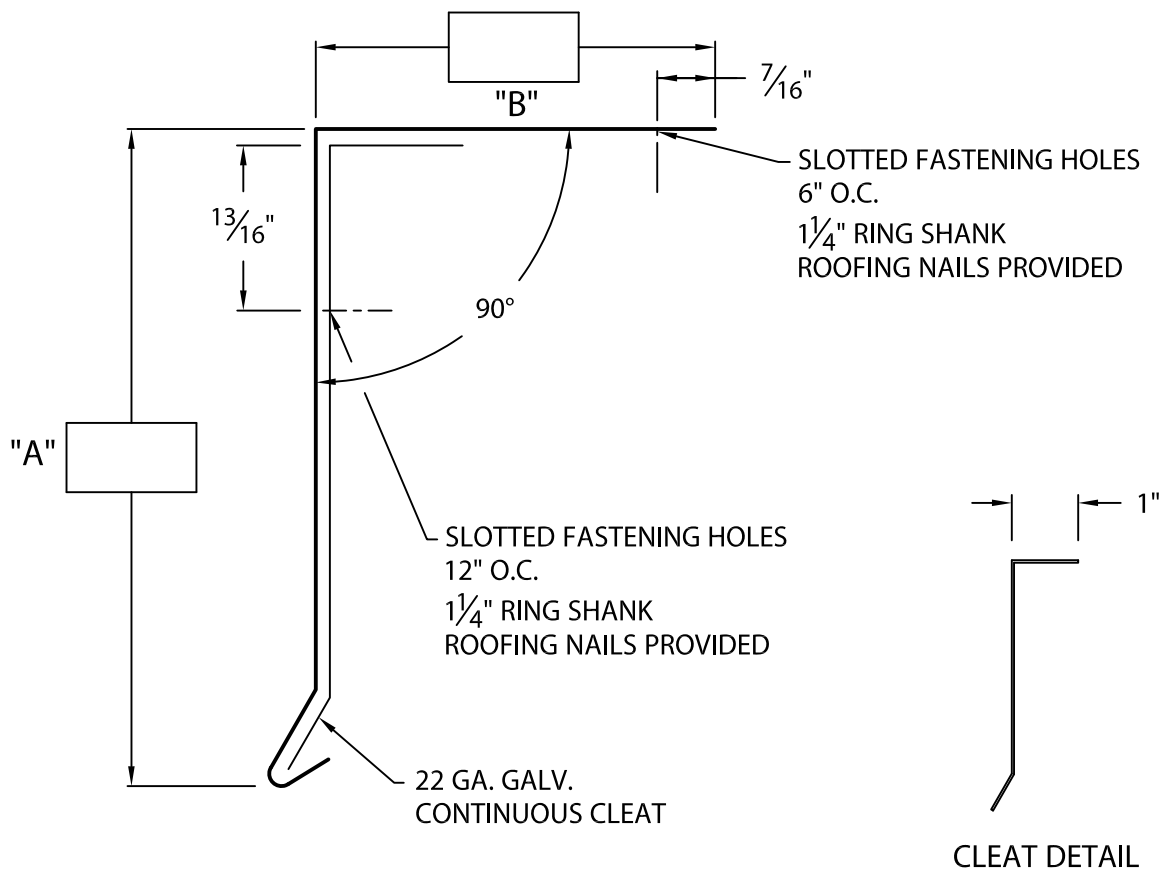


SIPLAST DRIP EDGE

90° VERSION WITH CONTINUOUS CLEAT

ANSI/SPRI ES-1 TESTED



CLEAT DETAIL

NOTES:

- Includes 6" (152 mm) wide concealed splice plates.
- Concealed splice plate must be field caulked to prevent water entry.
- Unless otherwise noted, fabrication of miters and accessories are furnished standard utilizing a non-penetrating quicklock joint, then factory sealed watertight.

Fabrication will proceed only after receipt of signed print approval.

Print Approval:

Architect and/or contractor shall verify all dimensions, sizes and quantities. All products to be installed in strict accordance with Siplast's printed instructions.

Approved by: _____

Date: _____

-- Welded Miters and Accessories

Check one Required (surcharge) Not applicable

MATERIAL:

- ___ 24 Ga. (.65 mm) Galv.
- ___ .040" (1.01 mm) Alum. Color: _____
- ___ .050" (1.27 mm) Alum.
- ___ .063" (1.60 mm) Alum. Finish: _____
- ___ OTHER _____

QUANTITIES:

- _____ Lineal Feet (12'-0" (3.65 m) Lengths)
- _____ Outside Miters @ (_____)°
- _____ Inside Miters @ (_____)°

PROJECT:

ARCHITECT:

ROOFING CONTRACTOR:

REPRESENTATIVE/DISTRIBUTOR:

PHONE: 800-922-8800

FAX: 469-995-2006



DATE: 05/18/16

DRN BY: JJC

CKD BY: SAK

SHT.# ____ OF ____

DWG# 44010-24019

A