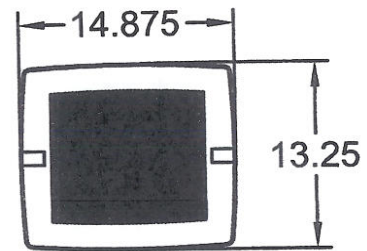
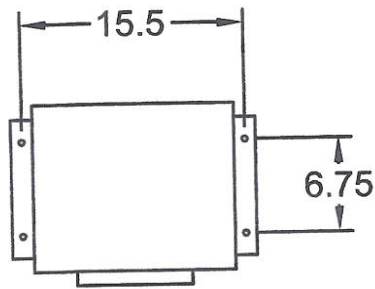


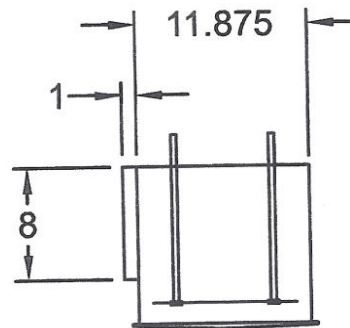
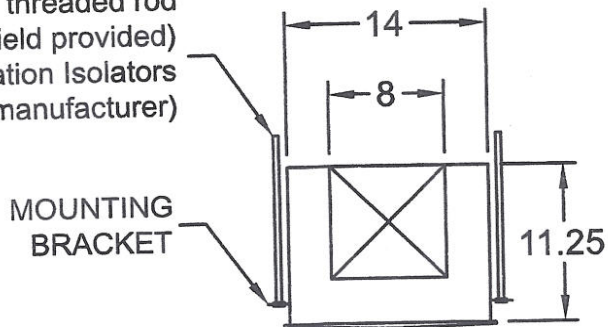
## SP-A200-QD

### Standard Construction Features:

Model SP Ceiling Exhaust fans are designed for clean air applications where low sound levels are desired. Low sound levels are achieved through quiet running forward curved wheels.



1/4 in. threaded rod  
(field provided)  
Vibration Isolators  
(from manufacturer)



Notes: All dimensions shown are in units of in.