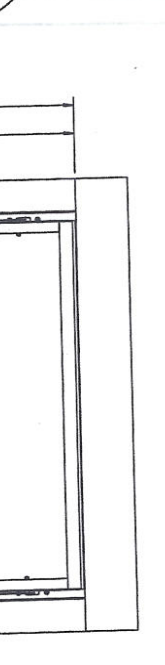
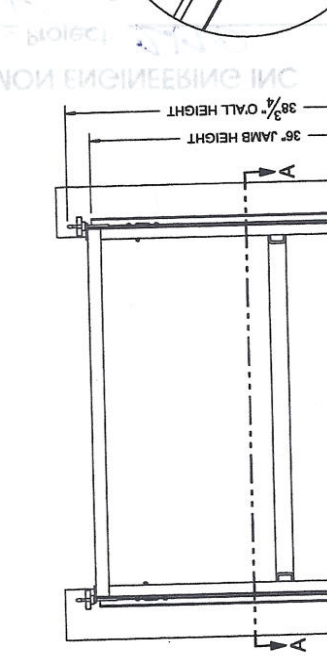
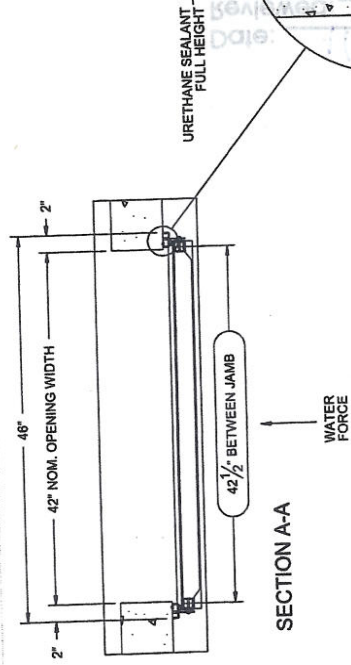


ITEM NO.	PART NO.	DESCRIPTION	QTY
1	511282	EZD-FORMED JAMB	2
3	511374	ANCHOR/KWIKCON PFH 1/4X2-1/4	8
4	511410	CARTON/ EZ DAM	1
5	509809	SEALANT: POLYURETHANE, GRAY	1
6	511457	BIT/DRILL MASONRY 1/4X8"	1
6	511276-04840601	EZD-PANEL ASSEMBLY 44"	1

SUBMITTAL REVIEW
 APPROVER IS REQUIRED TO BE ONE BOX ONLY AND SIGN
 APPROVED; PROCEED WITH FABRICATION
 APPROVED WITH CORRECTIONS; PROCEED WITH FABRICATION
 REVISE AS NOTED & RESUBMIT
 REJECTED

Signature _____ Date _____
 Printed Name _____



NOTES:
 1. STOP STORE FLOOD BARRIERS IN A MANNER THAT WILL COMPRESS GASKETS, OR THAT WILL CAUSE DAMAGE TO GASKETS.
 2. INSTALLATION REFER TO ALL MANUFACTURERS' INSTALLATION NOTES AND DRAWINGS. INSTALL PLUMB, SQUARE, AND LEVEL. INSURE CONTINUOUS AND EVEN GASKETS WITHOUT GAPS, DRILL OR PENETRATOR, USE ONLY FASTENERS AND SEALANT AS INDICATED BY THE MANUFACTURER.
 3. FIELD GROUT AS INDICATED ON DRAWINGS MATERIAL AND PLACEMENT CAPABLE OF DEVELOPING 3000 PSI COMPRESSIVE STRENGTH, AS PLACED.
 4. MAINTAIN INSPECTION AND MAINTENANCE OF FLOOD BARRIER INSTALLATIONS, INCLUDING SEALANTS, GASKETS, ANCHORS, AND OPERATING HARDWARE, IS THE RESPONSIBILITY OF THE OWNER.
 5. STRUCTURAL REVIEW OF ADJACENT STRUCTURES CAPACITY TO WITHSTAND FLOOD LOADS AND SERVICE LOADS TRANSFERRED TO STRUCTURE IS BY ALL LOCAL PS DOORS.
 6. FLOOD BARRIER SERVICE LOADS IS BY OTHERS (NOT PS DOORS).
 7. FLOOD BARRIER SERVICE LOADS IS BY OTHERS (NOT PS DOORS).
 8. REVIEW OF EXISTING STRUCTURE'S ABILITY TO WITHSTAND FLOOD BARRIER SERVICE LOADS TRANSFERRED BY OTHERS (NOT PS DOORS).
 9. SERVICE LOADS TRANSFERRED BY OTHERS IS BY OTHERS (NOT PS DOORS).
 10. FLOOD BARRIERS ARE DESIGNED TO CONTROL SHORT TERM HYDROSTATIC WATER LOADS (62.4 PCF) UP TO THE DESIGNED WATER HEIGHT NOTED ON THE DRAWINGS. NO ALLOWANCES HAVE BEEN INCORPORATED FOR WAVE SURGE LOADS OR OTHER IMPACT LOADS. THIS IS SPECIFICALLY DETAILED ON THE DRAWINGS. FOR LONG TERM LOADS, REFER TO THE BUILDING STRUCTURE. ALL OCCUR DURING HIGH WATER SITUATIONS.
 11. IN APPLICATIONS WHERE THE FLOOD BARRIER GASKETS CONTACT THE EXISTING BUILDING STRUCTURE, FLOORS, ETC. ALL SURFACES MUST BE SOUND, FLATLEVEL AND WITHOUT BLEMISH FOR BEST PERFORMANCE.
 12. FIELD VERIFICATION IS REQUIRED BY OTHERS (NOT PS DOORS).
 13. DIMENSIONS AND INTERFERENCES.
 14. JAMB CONDITIONS AND STRUCTURAL CAPACITY OF STRUCTURE.
 15. ANCHOR LOCATIONS AND MINIMUM REQ'D EDGE/END DISTANCES, SPACING, EMBEDMENT DEPTHS, AND INSTALLATION PROCEDURE SPECIFIED IN THE ANCHOR MANUFACTURER'S TECHNICAL INFORMATION MANUAL.

DESIGN CRITERIA
SAFETY FACTOR
 MINIMUM FACTOR OF SAFETY PER IBC REQUIREMENT.
DESIGN LOADS
 (ALL LOADS TRANSFERRED TO STRUCTURE)
 - HYDROSTATIC WATER LOAD (62.4 PCF)
 - HYDROSTATIC WATER LOAD (62.4 PCF)
 ALL ANCHOR DESIGNS ARE BASED ON ATTACHING TO MINIMUM 3000 PSI COMPRESSIVE STRENGTH CIP CONCRETE (UNLESS OTHERWISE NOTED).
MATERIALS
 ALUMINUM: 6061-T6, 6063-T5, 6061-T6, 6063-T5
 STEEL: A36, A572-50, A572-60, A572-70, A572-80, A572-90, A572-100, A572-105, A572-110, A572-115, A572-120, A572-125, A572-130, A572-135, A572-140, A572-145, A572-150, A572-155, A572-160, A572-165, A572-170, A572-175, A572-180, A572-185, A572-190, A572-195, A572-200, A572-205, A572-210, A572-215, A572-220, A572-225, A572-230, A572-235, A572-240, A572-245, A572-250, A572-255, A572-260, A572-265, A572-270, A572-275, A572-280, A572-285, A572-290, A572-295, A572-300, A572-305, A572-310, A572-315, A572-320, A572-325, A572-330, A572-335, A572-340, A572-345, A572-350, A572-355, A572-360, A572-365, A572-370, A572-375, A572-380, A572-385, A572-390, A572-395, A572-400, A572-405, A572-410, A572-415, A572-420, A572-425, A572-430, A572-435, A572-440, A572-445, A572-450, A572-455, A572-460, A572-465, A572-470, A572-475, A572-480, A572-485, A572-490, A572-495, A572-500, A572-505, A572-510, A572-515, A572-520, A572-525, A572-530, A572-535, A572-540, A572-545, A572-550, A572-555, A572-560, A572-565, A572-570, A572-575, A572-580, A572-585, A572-590, A572-595, A572-600, A572-605, A572-610, A572-615, A572-620, A572-625, A572-630, A572-635, A572-640, A572-645, A572-650, A572-655, A572-660, A572-665, A572-670, A572-675, A572-680, A572-685, A572-690, A572-695, A572-700, A572-705, A572-710, A572-715, A572-720, A572-725, A572-730, A572-735, A572-740, A572-745, A572-750, A572-755, A572-760, A572-765, A572-770, A572-775, A572-780, A572-785, A572-790, A572-795, A572-800, A572-805, A572-810, A572-815, A572-820, A572-825, A572-830, A572-835, A572-840, A572-845, A572-850, A572-855, A572-860, A572-865, A572-870, A572-875, A572-880, A572-885, A572-890, A572-895, A572-900, A572-905, A572-910, A572-915, A572-920, A572-925, A572-930, A572-935, A572-940, A572-945, A572-950, A572-955, A572-960, A572-965, A572-970, A572-975, A572-980, A572-985, A572-990, A572-995, A572-1000.
 FASTENERS: ZINC PLATED (UNLESS OTHERWISE NOTED).
 GASKETS: EPDM, NEOPRENE, SILICONE, OR NATURAL RUBBER.
 FINISHES
 FABRICATED STEEL: CHEMICAL CLEAN & RINSE;
 INDUSTRIAL ENAMEL
 PRIME COAT - (1) COAT OF SHERWIN WILLIAMS KEM FLASH PRIMER
 TOP COAT - (2) COATS OF SHERWIN WILLIAMS INDUSTRIAL ENAMEL
 POWDERCOAT (STEEL ONLY): POWDURA TGIC - SELECT COLOR
 ALUMINUM: RAW, MILL FINISH
 STAINLESS STEEL: RAW, MILL FINISH
 EXPOSED, INTERFERING WELDS ARE GROUND, NOT FILLED OR POLISHED
 FACTORY WELDS:
 ALUMINUM: ELECTRODE ER4043
 MILD STEEL: ELECTRODE ER70S6
 STAINLESS STEEL: ELECTRODE ER308LS, ER316LS, ER317L
 FIELD WELDS: ELECTRODE ER70S6 (FOR MILD STEEL). ALL WELDING SHALL BE PERFORMED IN ACCORDANCE WITH THE REQUIREMENTS OF THE APPLICABLE AWS OR ASME STANDARDS.

ESTIMATED PART/ASSY WEIGHT: 40.22 LBS.
 FINISH: MILL FINISH

PS DOORS
 1150 48th St. S
 GRAND FORKS, ND 58001
 TEL: 701-746-5940
 FAX: 701-746-5940
 SHEET #1 OF 1 REV. B+

SK-04840601
 DWG STATUS: APPROVAL DRAWING
 SUBMITTAL 1
 DWG #: GEN-EZD-04840601
 DWG BY: jph
 CHECKED: CE / 10/20/14

SALES ORDER #: 408406
 DATE: 11/17/2014
 SCALE: NTS
 CITY: 3

DOOR/OPENING NAME: NO.001
 PRODUCT: EZD-500_4Z
 CUSTOMER: PMA, INC
 CUST PO #: SIGNED PROPOSAL
 SALES ORDER NAME: THIRD STREET VETERANS PARK RESTROOMS

REV.	DATE	REVISIONS