

Ordering Information

Accessories/hardware:		
Jet trim kit	K-9661	required
Drain	K-7167	recommended

Required Electrical Service

Two separate dedicated circuits required, each protected with Class A Ground-Fault Circuit-Interrupter (GFCI):	
Pump/control, (waterfall)	120 V., 20 A, 60 Hz
Pump/control, (jets)	120 V., 20 A, 60 Hz

Product Information

Fixture*:	basin area	top area	weight	
Bathing well	1549 x 1168mm	1727 x 1473mm	109 Kg.	
	water depth	capacity		
To overflow	508mm	814 litres		
* Approximate measurements for comparison only.				
Pump: (Qty. 2)	HP	V	Hz	A
1-speed	2	120	60	18.5
Included Components:				
Cutout template			85899-7	

Installation Notes

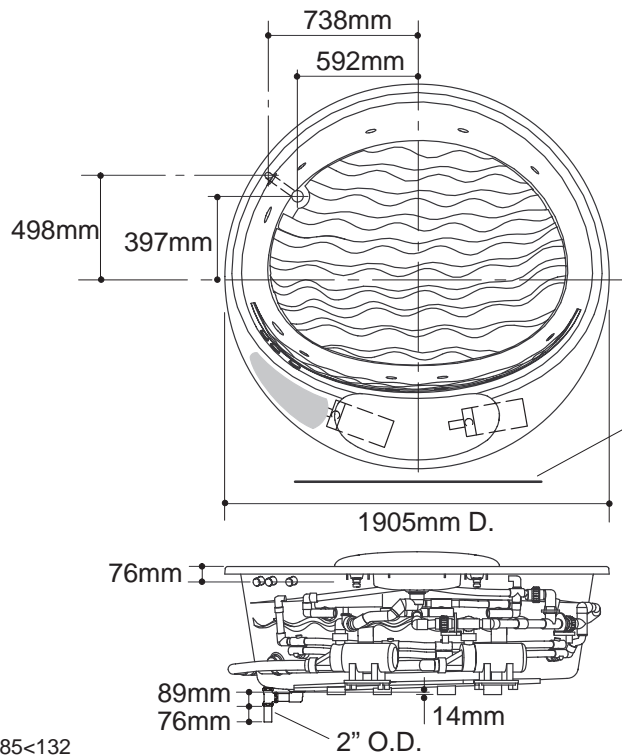
Refer to installation instructions included with fixture before beginning installation.

NOTICE: Unless otherwise specified, floor support under Riverbath must provide for a minimum of 36 Kg./square foot loading.

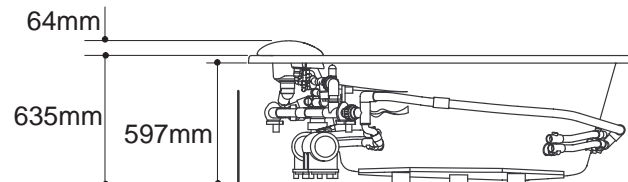
Pumps are supplied with grounding-type plug-in cords. Locate the outlets behind the RiverBath, and within 610mm of the pumps.

If installing a rim-mount faucet, make sure there is no interference with drain overflow and circulating system before drilling any holes. Consult local and national codes for minimum air gap requirements if installing a spout on the faucet deck other than that supplied.

Two 227 litre (454 litre total) water heaters are necessary to fill RiverBath.



PUMP/CONTROL ACCESS



Roughing-In Notes

Fixture conforms to ANSI Standard Z124.1. All dimensions are nominal.

No change in measurements if connected with drain illustrated.

Cut-out	1867mm D.	
Faucet area		recommended
Minimum access panel:		
Pump/control	1219mm W x 457mm H	required