

### Ordering Information

Accessories/hardware:		
Receptor	K-9537	required

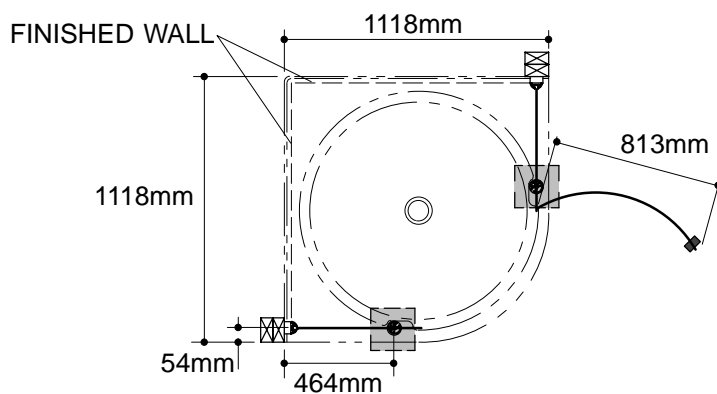
### Product Information

Fixture:	
Weight, shower enclosure	72 Kg.
Glass, tempered safety	clear

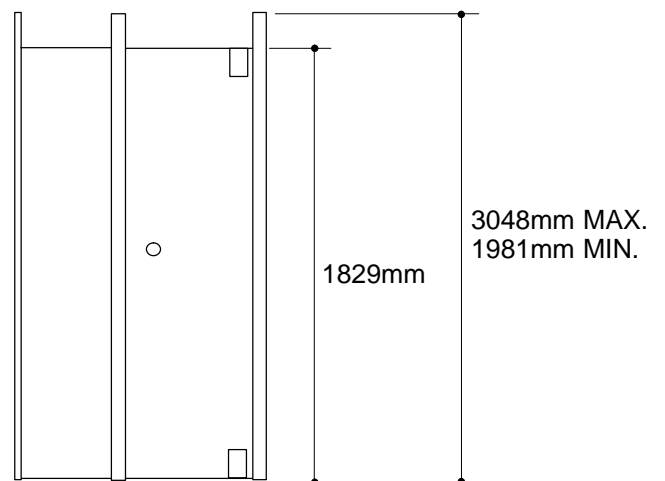
### Installation Notes

Refer to installation instructions included with fixture before beginning installation.

<b>Roughing-In Notes</b>	
Glass conforms to ANSI Z97.1.	
	Structural support required in the ceiling above these locations.
<b>Leave studs exposed.</b> Shower enclosure wall jambs must be installed directly to studs.	



TOP VIEW



FRONT VIEW