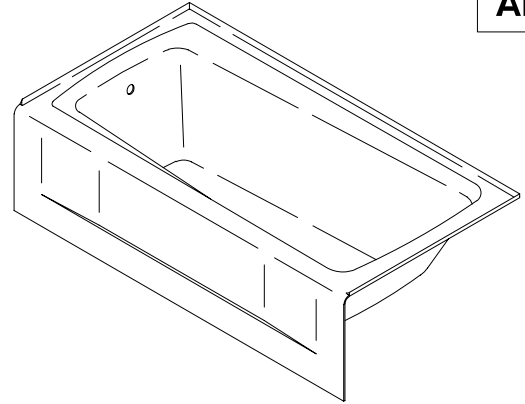


FEATURES

- 60" x 32" x 16-1/4"
- Cast iron with Safeguard® finish
- Left or right outlet
- ADA compliant when installed with seat at head end

K-505, K-506

ADA



CODES/STANDARDS APPLICABLE

Specified model meets or exceeds the following:

- ADA
- ASME/ANSI A112.19.1M
- CABO/ANSI A117.1
- IAPMO/UPC
- Canadian Standards Association (CSA)
- State of Massachusetts

COLORS/FINISHES

- 0 White
- Other Refer to Fixtures Price Book for additional colors

Accessories:

- CP Polished Chrome
- PB Polished Brass
- Other Refer to Faucets Price Book for additional finishes

SPECIFIED MODEL:

Model	Description	Colors/Finishes	
K-505	Bath with outlet at left	<input type="checkbox"/> 0 White	<input type="checkbox"/> Other_____
K-506	Bath with outlet at right	<input type="checkbox"/> 0 White	<input type="checkbox"/> Other_____

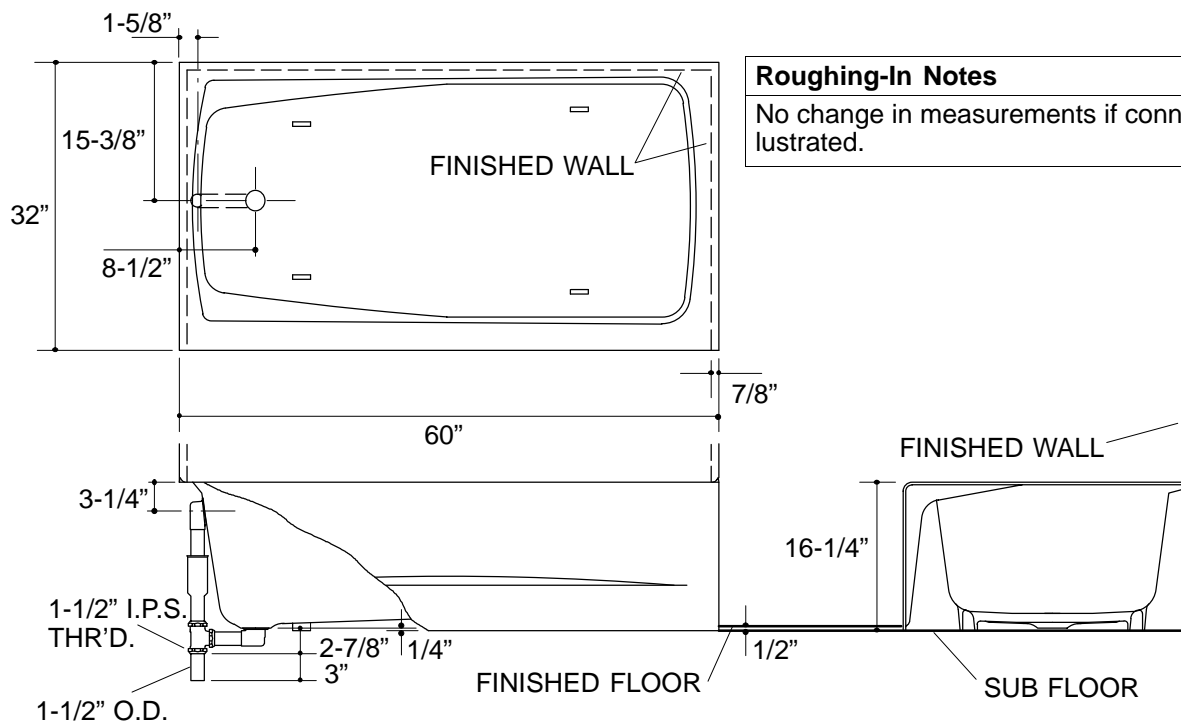
Recommended Accessories				
K-7160-TF	Drain OR	<input type="checkbox"/> CP	<input type="checkbox"/> PB	<input type="checkbox"/> Other_____
K-11660	Adjustable drain	<input type="checkbox"/> CP	<input type="checkbox"/> PB	<input type="checkbox"/> Other_____

PRODUCT SPECIFICATION:

The bath shall be 60" in length, 32" in width, and 16-1/4" in height. Bath shall be made of cast iron with Safeguard® finish. Bath shall have an outlet at left or right. The bath shall be ADA compliant when installed with seat at head end. Bath shall be Kohler Model K-_____ - _____.

PRODUCT INFORMATION

Fixture*:	basin area	top area	weight
Bathing well	43" x 20"	54" x 24"	351 lbs.
	water depth	capacity	
To overflow	10-7/8"	45 gal.	
* Approximate measurements for comparison only.			



Roughing-In Notes

No change in measurements if connected with drain illustrated.

364

PRODUCT DIAGRAM