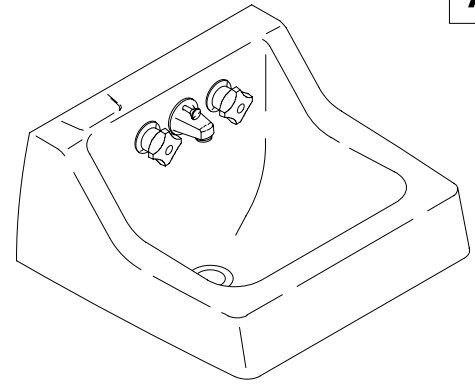


WALL-MOUNT LAVATORY

K-2705

ADA



FEATURES

- 19" x 17"
- Cast iron
- Wall-mount
- With factory installed K-8040-2A Triton faucet
- Less K-8040-2A Triton faucet (-EH)
- With overflow
- ADA compliant when installed with lever-handle faucet (-EH)

CODES/STANDARDS APPLICABLE

Specified model meets or exceeds the following:

- ADA
- ASME/ANSI A112.19.1M
- CABO/ANSI A117.1
- IAPMO/UPC
- Canadian Standards Association (CSA)
- State of Massachusetts

COLORS/FINISHES

- 0 White
- Other Refer to Fixtures Price Book for additional colors

SPECIFIED MODEL:

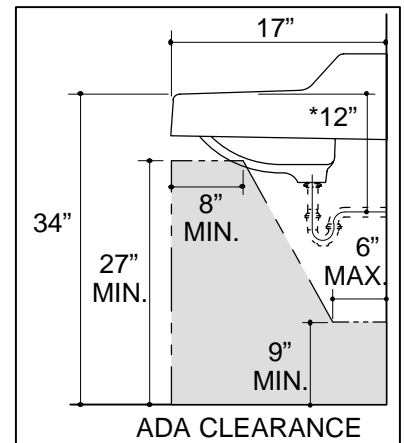
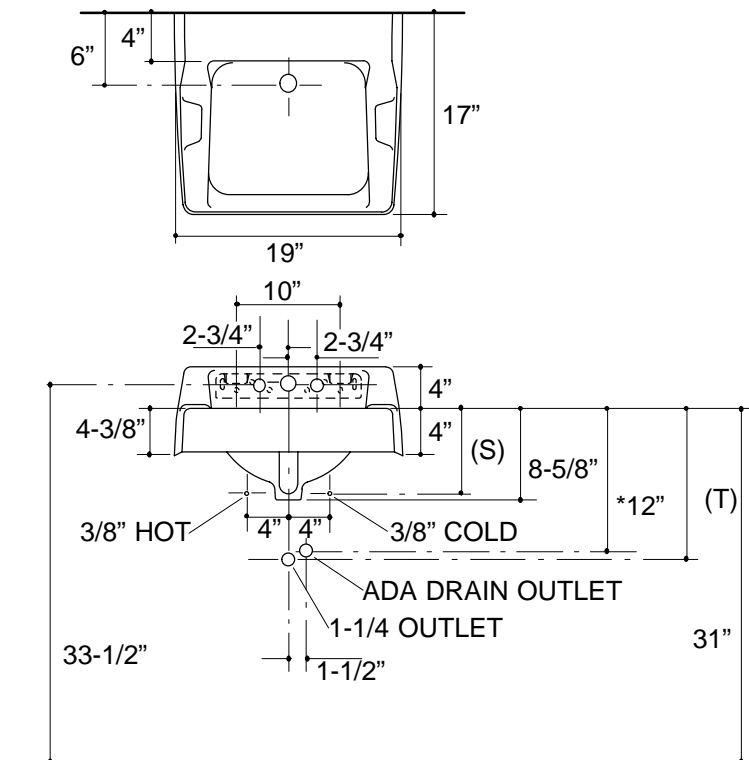
Model	Description	Colors/Finishes	
K-2705	Wall-mount lavatory with faucet	<input type="checkbox"/> 0 White	<input type="checkbox"/> Other_____
K-2705-EH	Wall-mount lavatory less faucet	<input type="checkbox"/> 0 White	<input type="checkbox"/> Other_____

PRODUCT SPECIFICATION:

The wall-mount lavatory shall be 19" in length, and 17" in width. Lavatory shall be made of cast iron. Lavatory shall have factory installed K-8040-2A Triton faucet or less faucet (-EH). Lavatory shall have overflow. Lavatory shall be ADA compliant when installed with lever-handle faucet (-EH). Lavatory shall be Kohler Model K-2705-_____-_____.

PRODUCT INFORMATION

ADA compliant when installed with lever handle faucet.			
Fixture*:		basin area	water depth
Lavatory		14" x 13"	5-1/8"
Outlet	1-11/16" D.		
* Approximate measurements for comparison only.			
Holes	K-2705		
Spout	1-1/2" D.		
Faucet	1-3/16" D.		
Included Components:			
Hanger (1)		64503	
Overflow ferrule (1)		44071	



116

Roughing-In Notes

*Based on K-8998, with 1" tailpiece exposed.

(T) Pop-up drain 14-1/4", grid drain 13-3/8".

(S) 8" (Based on 12" riser which may require cutting).

PRODUCT DIAGRAM