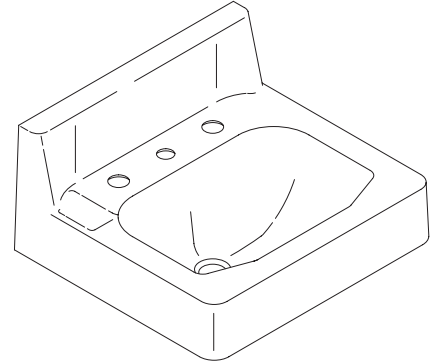


WALL-MOUNT LAVATORY

K-2805, K-2861, K-2863

ADA



FEATURES

- 19" x 17"
- Cast iron
- Wall-mount
- 8" centers (K-2863), 4" centers (K-2861), or single-hole (K-2805) drilling
- With overflow
- ADA compliant
- Optional soap dispenser hole on left (-L) or right (-R)
- Optional thru bolt holes (-B)

CODES/STANDARDS APPLICABLE

Specified model meets or exceeds the following:

- ADA
- ASME/ANSI A112.19.2M
- CABO/ANSI A117.1
- IAPMO/UPC
- CSA International B45
- State of Massachusetts

HOLE OPTIONS

- L Soap dispenser hole on left
- R Soap dispenser hole on right
- B Thru bolt holes

COLORS/FINISHES

- 0 White
- Other Refer to Fixtures Price Book for additional colors

Accessories:

- CP Polished Chrome
- Other Refer to Faucets Price Book for additional finishes

SPECIFIED MODEL:

Model	Description	Hole Options			Colors	
		-L	-R	-B	0 White	Other
K-2805	Single-hole lavatory	<input type="checkbox"/>	<input type="checkbox"/>	<input type="checkbox"/>	<input type="checkbox"/>	<input type="checkbox"/>
K-2861	4" centers lavatory	<input type="checkbox"/>	<input type="checkbox"/>	<input type="checkbox"/>	<input type="checkbox"/>	<input type="checkbox"/>
K-2863	8" centers lavatory	<input type="checkbox"/>	<input type="checkbox"/>	<input type="checkbox"/>	<input type="checkbox"/>	<input type="checkbox"/>

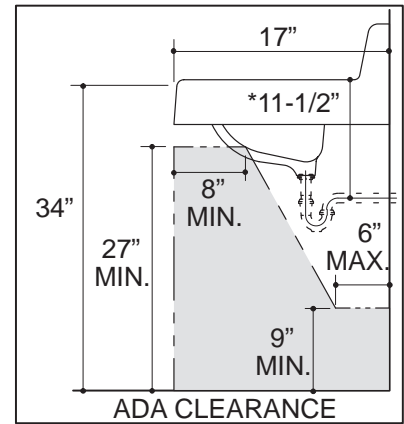
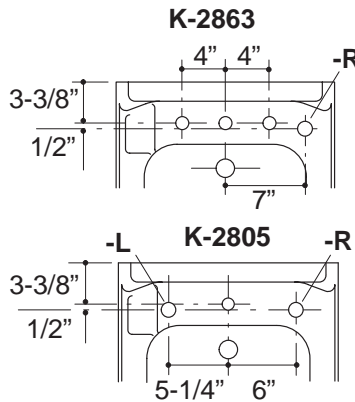
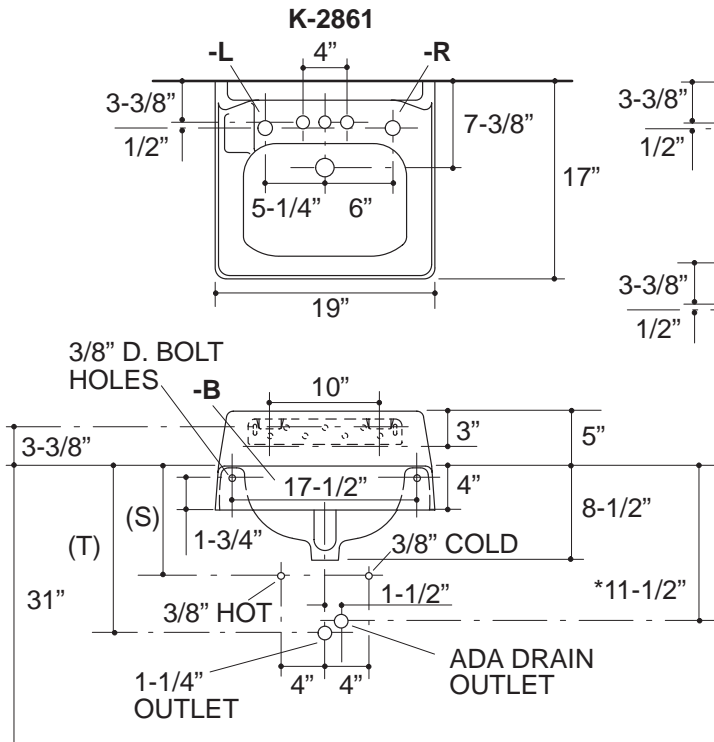
Recommended Accessories	
K-8998	Trap <input type="checkbox"/> CP <input type="checkbox"/> Other_____

PRODUCT SPECIFICATION:

The wall-mount lavatory with back, shall be 19" in length, and 17" in width. Lavatory shall be made of cast iron. Lavatory shall have 8" centers (K-2863), 4" centers (K-2861), or single-hole (K-2805) drilling. Lavatory shall have overflow. Lavatory shall be ADA compliant. Lavatory shall have soap dispenser hole on left (-L) or right (-R). Lavatory shall have thru bolt holes (-B). Lavatory shall be Kohler Model K-_____ - _____ - _____.

PRODUCT INFORMATION

ADA compliant.			
Fixture*:		basin area	water depth
Lavatory		15" x 10"	5"
Outlet	1-11/16" D.		
* Approximate measurements for comparison only.			
Holes	K-2863	K-2861	K-2805
Spout	1-1/8" D.	1-1/8" D.	1-3/8" D.
Faucet	1-5/16" D.	1-3/16" D.	
Soap dispenser			1-1/4" D.
Included Components:			
Hanger	64503		



Roughing-In Notes

*Based on K-8998, with 1" tailpiece exposed.

(T) Pop-up drain 14-1/8", grid drain 13-1/4".

Supply (Based on 12" riser which may require cutting).

K-2861
K-2805

K-2863

.95<116

PRODUCT DIAGRAM