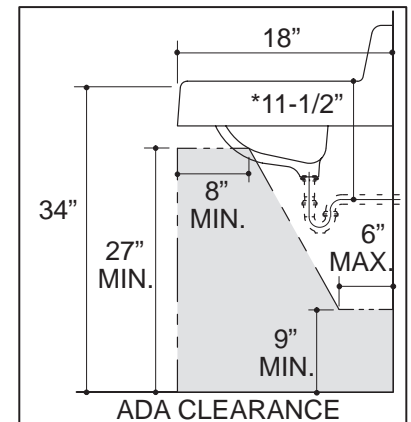
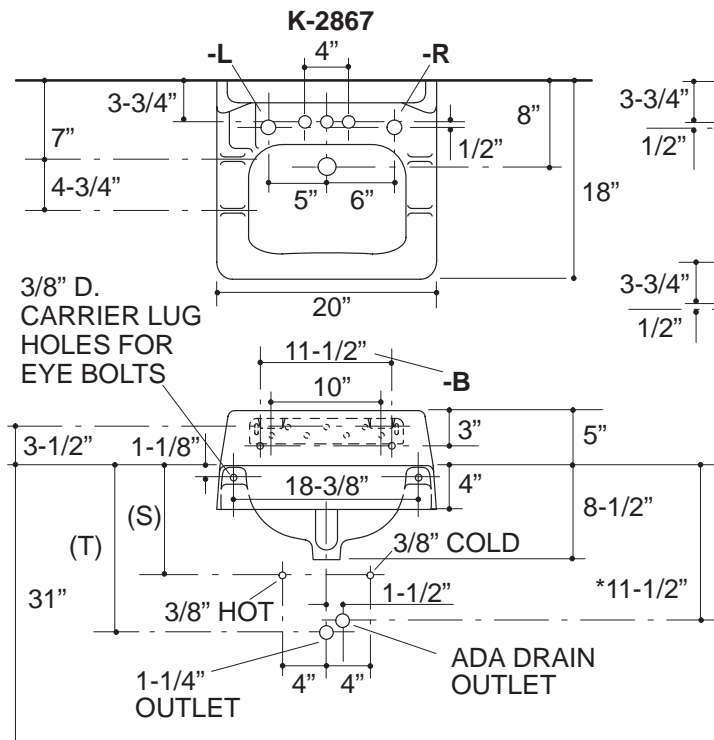


### Ordering Information

Applicable product:		
<b>4" centers lavatory</b>	K-2867	shown
soap dispenser on left	K-2867-L	
soap dispenser on right	K-2867-R	
w/ 11-1/2" thru bolt holes	K-2867-B	
& soap dispenser on left & soap dispenser on right	K-2867-LB K-2867-RB	
<b>8" centers lavatory</b>	K-2868	not shown
soap dispenser on right	K-2868-R	
w/ 11-1/2" thru bolt holes & soap dispenser on right	K-2868-B K-2868-RB	
<b>Single-hole lavatory</b>	K-2812	not shown
soap dispenser on left	K-2812-L	
soap dispenser on right	K-2812-R	
w/ 11-1/2" thru bolt holes & soap dispenser on left & soap dispenser on right	K-2812-B K-2812-LB K-2812-RB	

### Product Information

ADA compliant.			
Fixture*:		basin area	water depth
Lavatory		15" x 10"	5"
Outlet	1-11/16" D.		
* Approximate measurements for comparison only.			
Holes	<b>K-2868</b>	<b>K-2867</b>	<b>K-2812</b>
Spout	1-1/8" D.	1-1/8" D.	1-3/8" D.
Faucet	1-5/16" D.	1-3/16" D.	
Soap dispenser			1-1/4" D.
Included Components:			
Hanger			64503
Accessories/hardware recommended:			
Trap			K-8998



### Roughing-In Notes

Fixture dimensions are nominal and conform to tolerances in ASME Standard A112.19.2M.

\*Based on K-8998, with 1" tailpiece exposed.

(T) Pop-up drain 14-1/8", grid drain 13-1/4".

Supply (Based on 12" riser which may require cutting).	K-2867 K-2812	K-2868
(S)	10"	14"

.95<116

**K-2812, K-2867, K-2868** Hudson™ Lavatory  
105060-1-CA (A)

# KOHLER<sup>®</sup>