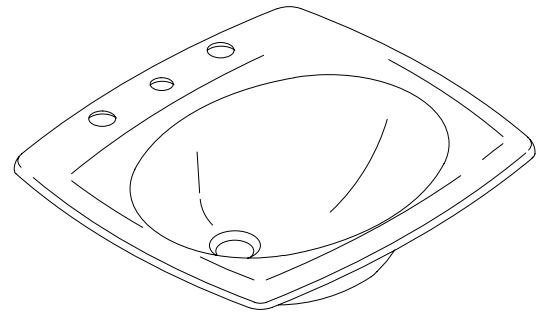


FEATURES

- 21" x 19"
- Cast iron
- Self-rimming
- 4" centers (K-2925-4), 8" centers (K-2925-8), or single-hole (K-2925-1) drilling
- With overflow
- ADA compliant



CODES/STANDARDS APPLICABLE

Specified model meets or exceeds the following:

- ADA
- ASME/ANSI A112.19.1M
- CABO/ANSI A117.1
- IAPMO/UPC
- Canadian Standards Association (CSA)
- State of Massachusetts

COLORS/FINISHES

- 0 White
- Other Refer to Fixtures Price Book for additional colors

Accessories:

- CP Polished Chrome
- Other Refer to Faucets Price Book for additional finishes

SPECIFIED MODEL:

Model	Description	Colors/Finishes	
K-2925-4	4" centers lavatory	<input type="checkbox"/> 0 White	<input type="checkbox"/> Other_____
K-2925-8	8" centers lavatory	<input type="checkbox"/> 0 White	<input type="checkbox"/> Other_____
K-2925-1	Single-hole lavatory	<input type="checkbox"/> 0 White	<input type="checkbox"/> Other_____

Recommended Accessories			
K-8998	Trap	<input type="checkbox"/> CP	<input type="checkbox"/> Other_____

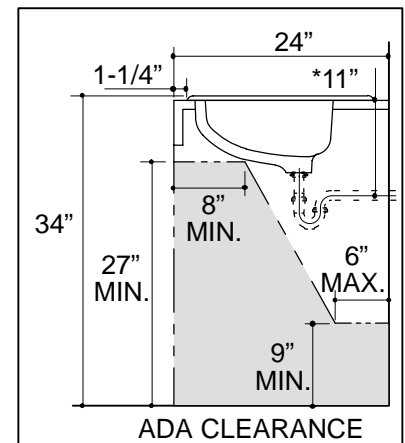
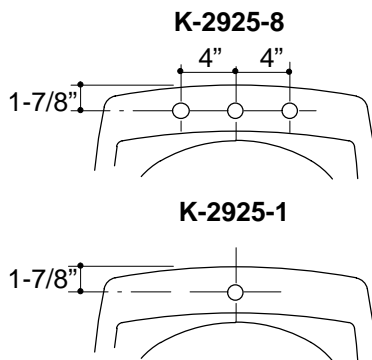
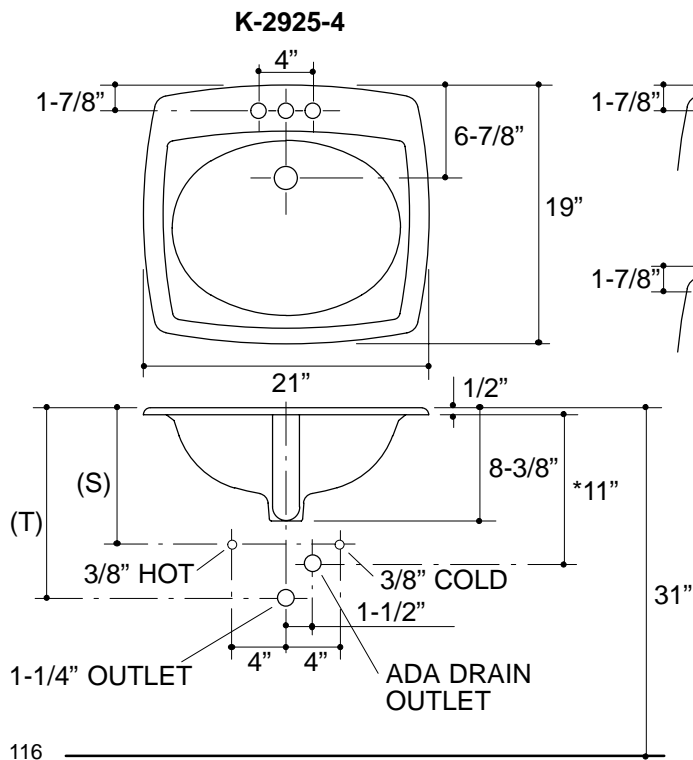
PRODUCT SPECIFICATION:

The self-rimming lavatory shall be 21" in length, and 19" in width. Lavatory shall be made of cast iron. Lavatory shall have 4" centers (K-2925-4), 8" centers (K-2925-8), or single-hole (K-2925-1) drilling. Lavatory shall have overflow. Lavatory shall be ADA compliant. Lavatory shall be Kohler Model K-2925-_____-_____.

CASTELLE™

PRODUCT INFORMATION

ADA compliant.			
Fixture*:		basin area	water depth
Lavatory		17" x 13"	4-5/8"
Outlet	1-11/16" D.		
* Approximate measurements for comparison only.			
Holes	K-2925-4	K-2925-8	K-2925-1
Spout	1-1/8" D.	1-1/8" D.	1-3/8" D.
Faucet	1-3/16" D.	1-5/16" D.	
Included Components:			
Overflow ferrule			44071
Cutout template			101079



Roughing-In Notes

Fixture dimensions are nominal and conform to tolerances in ASME/ANSI Standard A112.19.1M.

*Based on K-8998, with 1" of tailpiece exposed.

(T) Pop-up drain 14", grid drain 13-1/8".

(S) 10" (Based on 12" riser which may require cutting).

PRODUCT DIAGRAM