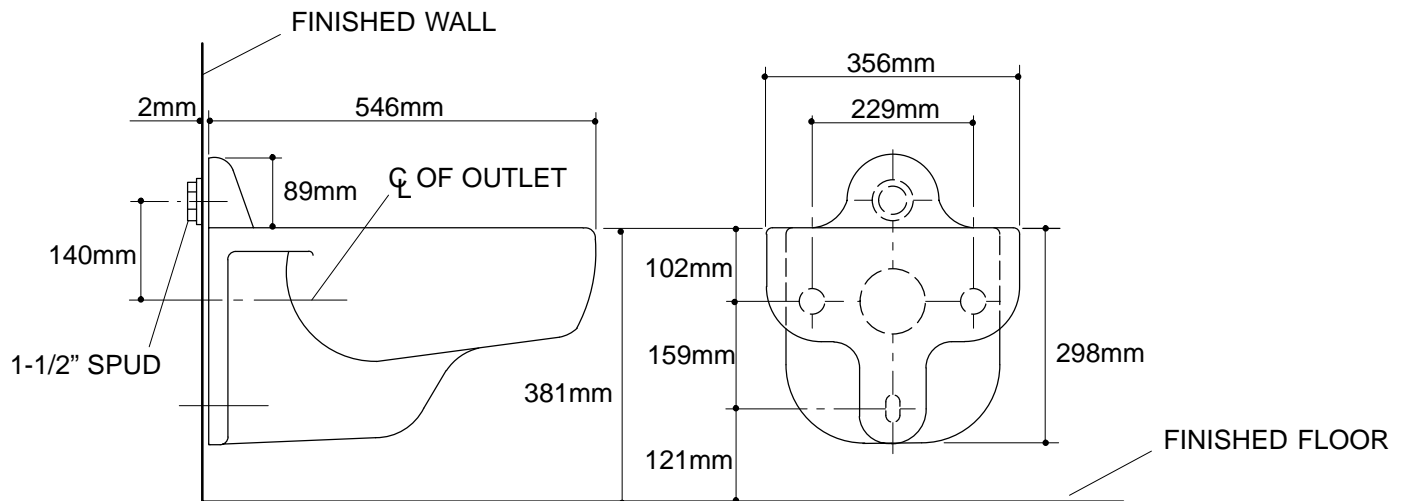


Ordering Information

Accessories/hardware:		
Seat	K-4670-C	recommended

Product Information

ADA compliant.	
Fixture:	
Configuration	Rear spud, elongated
Litres per flush	13 litres*
Spud size	1-1/2"
Passageway	67mm
Water depth from rim	137mm
Seat post hole centers	140mm
Minimum running pressure required	25 p.s.i.
* Designed to flush with 13 litres of water when installed with a 13 lpf valve.	
Included Components:	
Spud	18357
Flush valve requirements: Refer to manufacturer and local codes.	



Roughing-In Notes
Fixture dimensions are nominal and conform to tolerances in ASME Standard A112.19.2M.

1.25>116