

Ordering Information

Applicable product:		
Four-hole sink	K-5918-4	shown
Three-hole sink	K-5918-3	not shown

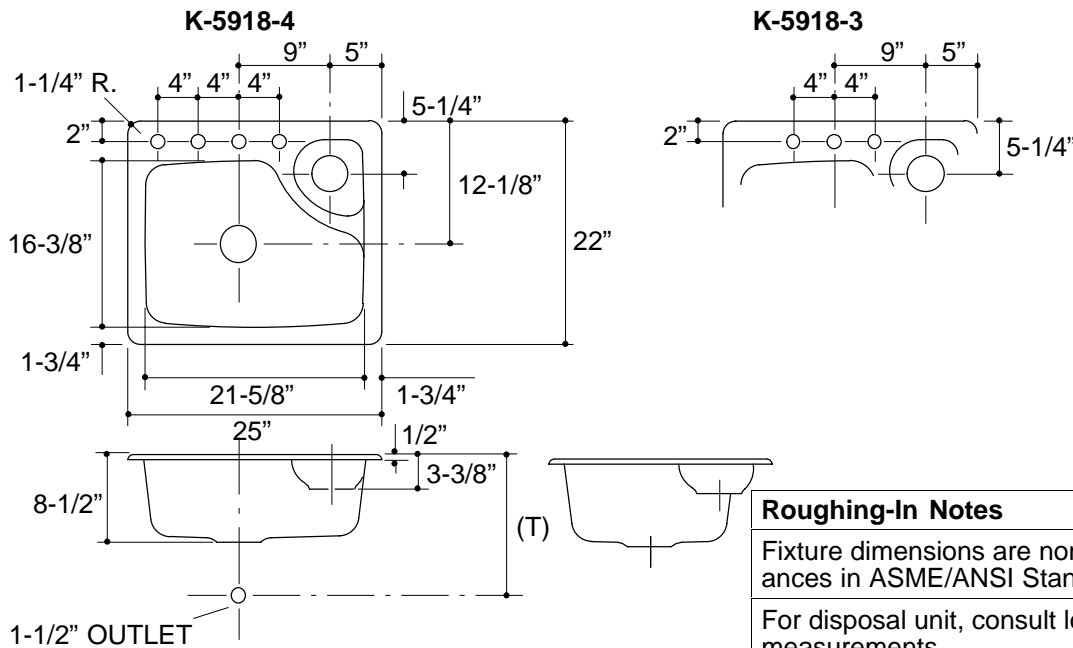
Product Information

Fixture*:		basin area	water depth
Sink		22" x 16"	7-1/4"
Disposal		8" x 7"	2-1/8"
Outlet	3-5/8" D.		
Faucet holes	1-3/8" D.		

* Approximate measurements for comparison only.

Installation Notes

Refer to installation instructions included with fixture before beginning installation.



Roughing-In Notes

Fixture dimensions are nominal and conform to tolerances in ASME/ANSI Standard A112.19.1M.

For disposal unit, consult local supplier for roughing-in measurements.

(T) Drain typically 13-7/8"

Cutout 23-3/4" x 20-3/4" with 1" radius corners.

.85<116