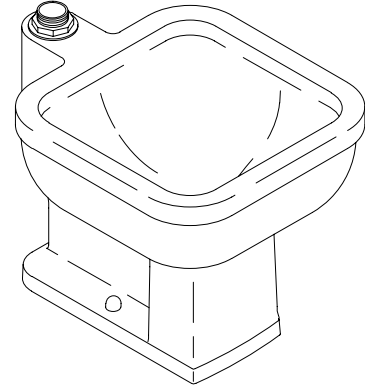


FEATURES

- 20" x 20"
- Vitreous china
- 1-1/2" top spud
- Siphon jet flushing rim



CODES/STANDARDS APPLICABLE

Specified model meets or exceeds the following:

- ASME/ANSI A112.19.2M
- IAPMO/UPC
- Canadian Standards Association (CSA)
- State of Massachusetts

COLORS/FINISHES

- 0 White

Accessories:

- NA None Applicable

SPECIFIED MODEL:

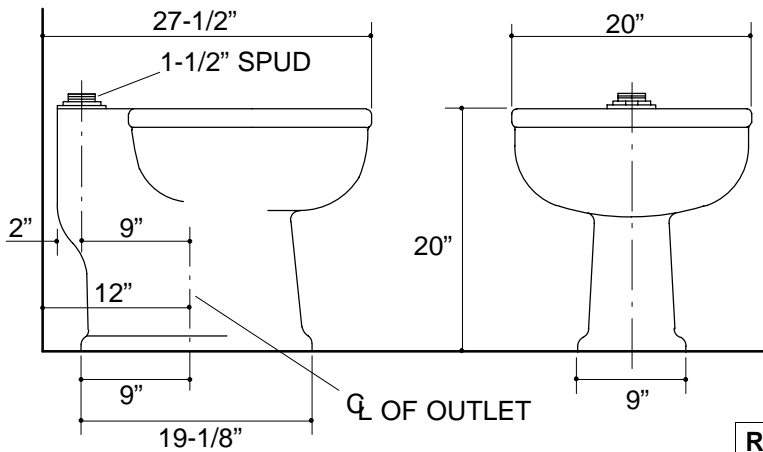
Model	Description	Colors/Finishes
K-6676	Service sink	<input type="checkbox"/> 0 White
Optional Accessories		
K-8935	Stainless steel rim guard	<input type="checkbox"/> NA

PRODUCT SPECIFICATION:

The service sink shall be 20" in length, and 20" in width with a 1-1/2 top spud. Sink shall be made of vitreous china. Sink shall have siphon jet flushing rim. Sink shall be Kohler Model K-6676-_____.

PRODUCT INFORMATION

Fixture*:		basin area	water depth
Sink		17" x 17"	7-5/8"
Water surface	12" x 12"		
Outlet	2-3/4" D.		
Spud hole	2-1/4" D.		
Passageway	2-1/2"		
Minimum running pressure required			25 p.s.i.
* Approximate measurements for comparison only.			
Included Components:			
1-1/2" spud		18357	
Bolt caps (pr.)		52048	



Roughing-In Notes

Fixture dimensions are nominal and conform to tolerances in ANSI Standard A112.19.2M.

PRODUCT DIAGRAM