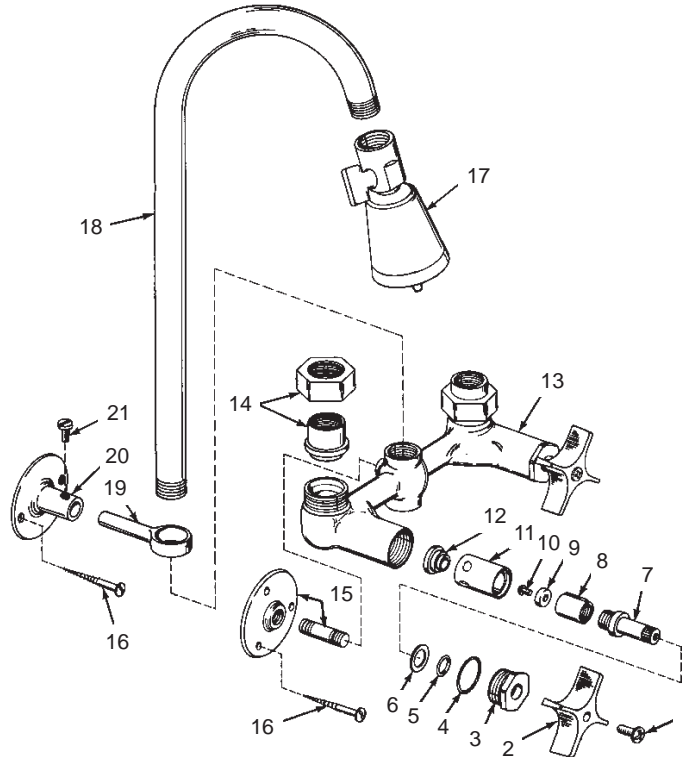


K-7252 EXPOSED SHOWER VALVE ASSEMBLY WITH SHOWERHEAD
K-7254 EXPOSED SHOWER VALVE ASSEMBLY WITH SHOWERHEAD AND REVERSIBLE YOKE (ILLUSTRATED)
K-7258 EXPOSED SHOWER VALVE ASSEMBLY WITH SHOWERHEAD AND REVERSIBLE YOKE (GALVANIZED RISER AND ROUGH PLATED BODY)

ORDER BY KIT NUMBER OR PART NUMBER, NOT ITEM NUMBER OR KIT LETTER.

Ordering Options

Item	Part No. or Kit
1	A
2	B
3	34365
4, 5, 6	C, D
7, 8	C
9, 10	C, D
11	C
12	C, D
13	*
14	E
15	F
16	24085‡**, G
17	K-7370‡■
18	24576‡
19, 20, 21	G



Kit Ordering Information

Kit	Kit Part No.	Kit Name	Kit Contents
A	30105‡	Screw	2 ea., Item 1
B	30015‡	Aquaric Chrome Handle	1 ea. Hot, 1 ea. Cold; Item 2
C	30002	Valve Replacement	1 ea., Items 4 thru 12
D	30294	Valve Rebuilding	2 ea., Items 4, 5, 6, 9, 10, and 12
E	30213‡	Union S.A.	2 ea., Item 14
F	30214‡	Flange S.A.	1 ea., Item 15
G	21574‡	Support Assembly	2 ea., Item 16; 1 ea., Items 19, 20, 21

KITS MAY INCLUDE EXTRA PARTS

NOTES:

- * Not available as a service part.
- ** 5 required, #24085‡ equals 1 screw.

LEGEND:

- ‡ Specify Finish.
- Parts further exploded in catalog; see INDEX.