

K-108

ANTIQUE

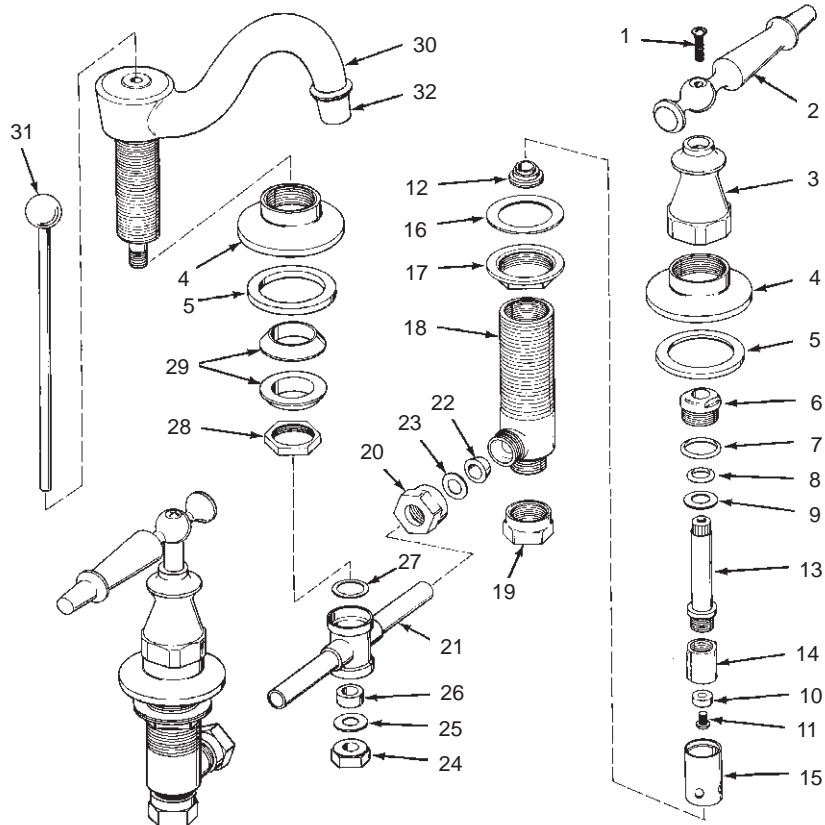
LAVATORY FITTING

RIGID CONNECTION

ORDER BY KIT NUMBER OR PART NUMBER, NOT ITEM NUMBER OR KIT LETTER.

Ordering Options

Item	Part No. or Kit
1	B
2	K-9630‡■
3	42259‡
4	J
5	I
6	20475
7, 8, 9, 10, 11, 12	A, C, or D
13, 14, 15	C or D
16, 17	E
18	20480
19, 20	F
21	35823
22, 23, 24, 25, 26,	G
27, 28, 29	G
30	42251‡
31	42264‡
32	H



Kit Ordering Information

Kit	Kit Part No.	Kit Name
A	30294	Valve Service Kit
B	30097‡	Screws
C	30128‡	Valve Assembly (Closes Clockwise)
D	30127‡	Valve Assembly (Closes Counterclockwise)
E	30231	Mounting Hardware
F	30230	Coupling Nuts
G	30229	Gasket Service Kit
H	36686‡	Aerator
I	30340	Gaskets
J	30078‡	Escutcheons

Kit Contents

2 ea., Items 7 thru 12
2 ea., Item 1
1 ea., Items 7 thru 15
1 ea., Items 7 thru 15
2 ea., Items 16 and 17
2 ea., Item 19 or 20
2 ea., Items 22 and 23; 1 ea., Items 24 thru 29
1 ea., Item 32
2 ea., Item 5
2 ea., Item 4

KITS MAY INCLUDE EXTRA PARTS

NOTES:

For pop-up drain, see K-7701.

LEGEND:

‡ Specify Finish.

■ Parts further exploded in catalog; see INDEX.