

K-11810
-PH
-B

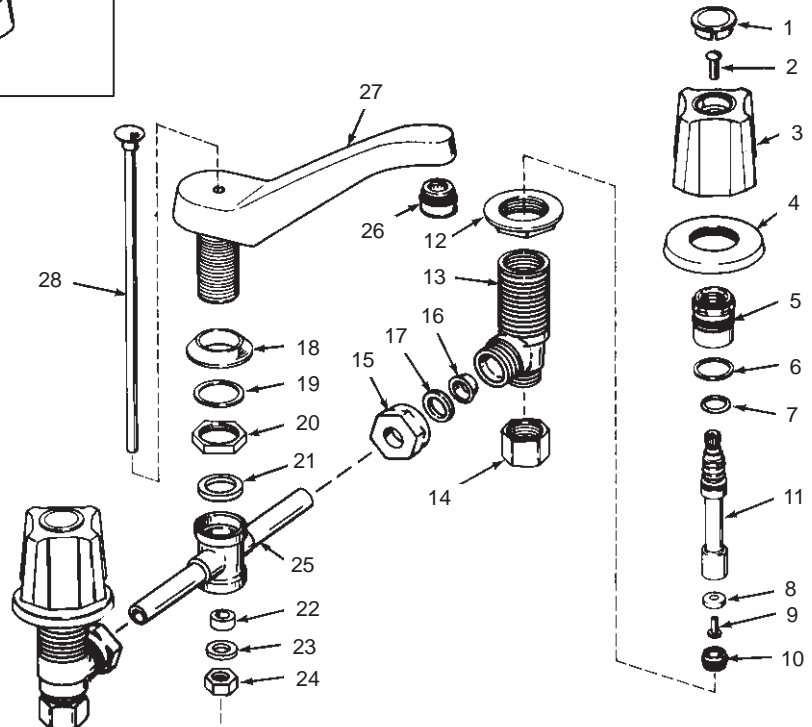
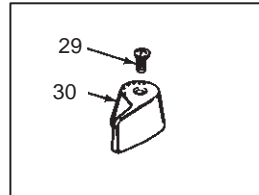
TREND

LAVATORY FITTING
WITH PLASTIC HANDLES
WITH CHROME-PLATED LEVER HANDLES

ORDER BY KIT NUMBER OR PART NUMBER, NOT ITEM NUMBER OR KIT LETTER.

Ordering Options

Item	Part No. or Kit
1	B or C
2	D or E
3	F or G or H
4	I
5	J or K
6, 7, 8, 9, 10	A, J, or K
11	J or K
12	L
13	20997
14, 15	M
16, 17, 18, 19, 20,	N
21, 22, 23, 24	N
25	35823
26	41056‡
27	20966‡
28	20781‡
29	O
30	P



Kit Ordering Information

Kit	Kit Part No.	Kit Name	Kit Contents
A	30404	Valve Rebuilding	2 ea., Items 6 thru 10
B	30000‡	Plug Button, Chrome	1 ea. Hot, 1 ea. Cold
C	30001‡	Plug Button, Brass	1 ea. Hot, 1 ea. Cold
D	30098	Screw (Chrome Handle)	2 ea., Item 2
E	30099	Screw (Large Acrylic Handle)	2 ea., Item 2
F	30005‡	Large Chrome Handle	2 ea., Item 3
G	30003	Large Clear Acrylic Handle	2 ea., Item 3
H	30007	Large Charcoal Acrylic Handle	2 ea., Item 3
I	30080‡	Escutcheon	2 ea., Item 4
J	30397	Valve Replacement (Closes Clockwise)	1 ea., Items 5 thru 11
K	30398	Valve Replacement (Closes Counterclockwise)	1 ea., Items 5 thru 11
L	30236	Attachment S.A.	2 ea., Item 12
M	30230	Coupling Nut	2 ea., Item 14 or 15
N	30229	Gasket/Washer	2 ea., Items 16 and 17; 1 ea., Items 18 thru 24
O	30109‡	Screw	2 ea., Item 29
P	30028‡	Shoreham Lever Handle	2 ea., Item 30

KITS MAY INCLUDE EXTRA PARTS

NOTES:

For pop-up drain see K-7701.

LEGEND:

‡ Specify Finish.