

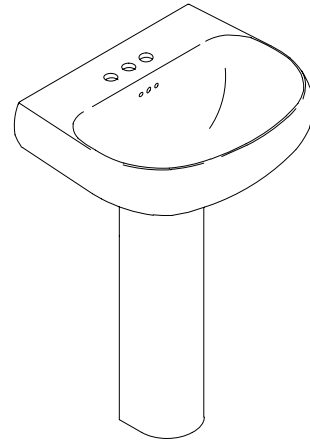
#### FEATURES

- 22" x 18" x 32-3/4"
- Vitreous china
- Pedestal lavatory
- 4" centers (K-2096-4), 8" centers (K-2096-8) or single-hole (K-2096-1) drilling
- With overflow

#### CODES/STANDARDS APPLICABLE

Specified model meets or exceeds the following:

- ASME/ANSI A112.19.2M
- IAPMO/UPC
- Canadian Standards Association (CSA)
- State of Massachusetts



#### COLORS/FINISHES

- 0 White
- Other Refer to Fixtures Price Book for additional colors

#### Accessories:

- CP Polished Chrome
- Other Refer to Faucets Price Book for additional finishes

#### SPECIFIED MODEL:

Model	Description	Colors/Finishes	
K-2096-4	4" centers lavatory	<input type="checkbox"/> 0 White	<input type="checkbox"/> Other_____
K-2096-8	8" centers lavatory	<input type="checkbox"/> 0 White	<input type="checkbox"/> Other_____
K-2096-1	Single-hole lavatory	<input type="checkbox"/> 0 White	<input type="checkbox"/> Other_____

Recommended Accessories			
K-7605-P	Lavatory supplies 3/8" (pair)	<input type="checkbox"/> CP	<input type="checkbox"/> Other_____
K-8998	Trap	<input type="checkbox"/> CP	<input type="checkbox"/> Other_____

#### PRODUCT SPECIFICATION:

The pedestal lavatory shall be 22" in length, 18" in width, and 32-3/4" in height. Pedestal lavatory shall be made of vitreous china. Lavatory shall have 4" centers (K-2096-4), 8" centers (K-2096-8), or single-hole (K-2096-1) drilling. Pedestal lavatory shall have overflow. Pedestal lavatory shall be Kohler Model K-2096-\_\_\_\_\_ - \_\_\_\_\_.

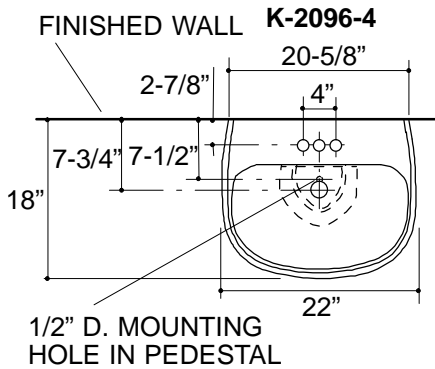
# CABERNET™

## PRODUCT INFORMATION

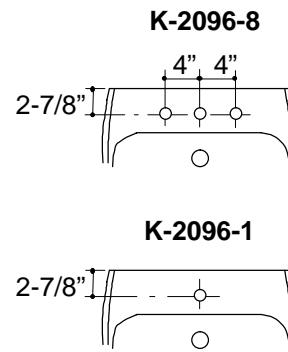
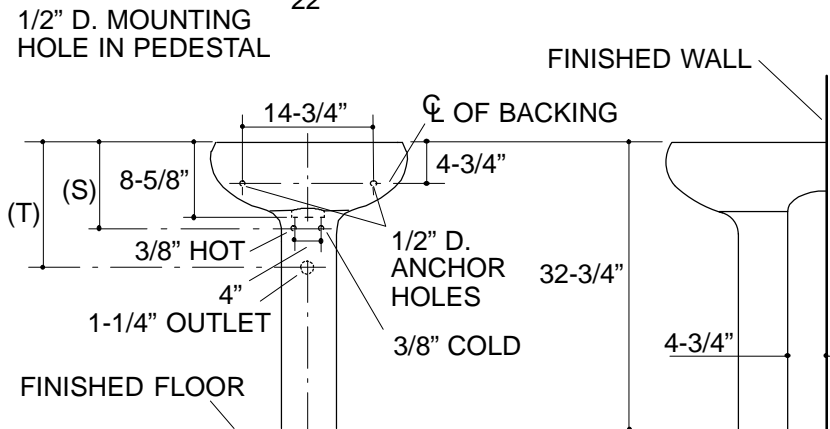
Fixture*:		basin area	water depth
Lavatory		20" x 12"	5-1/2"
Outlet	1-3/4" D.		
* Approximate measurements for comparison only.			

Holes	K-2096-4	K-2096-8	K-2096-1
Spout	1-3/16" D.	1-3/16" D.	1-3/8" D.
Faucet	1-3/16" D.	1-3/8" D.	

Included Components:	
Lavatory basin, 4" centers	K-2145-4
Lavatory basin, 8" centers	K-2145-8
Lavatory basin, single-hole	K-2145-1
Pedestal	K-2147
Pedestal accessory pack	52204
Rubber pads	63069



ROUGHING-IN NOTES
(T) Pop-up drain typically 14-1/4".
(S) 10" (Based on 12" riser which may require cutting).



.75<116

## PRODUCT DIAGRAM