

Ordering Information

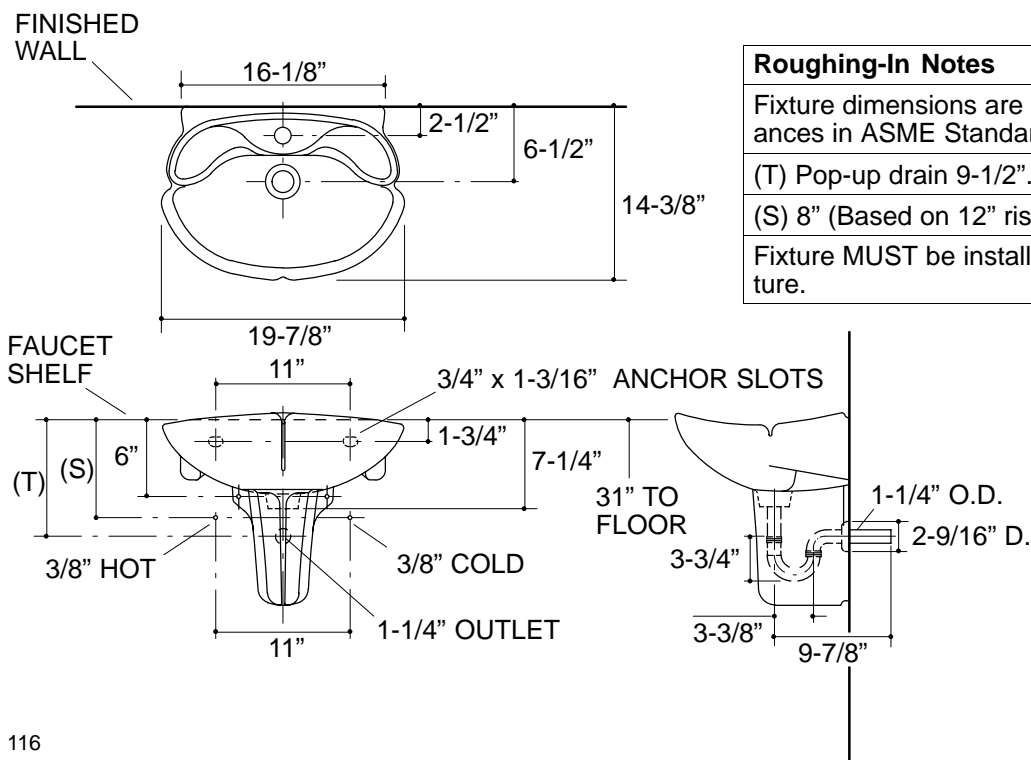
Applicable product:		
Single hole lavatory	K-2167-1	shown
Accessories/hardware:		
Cygnets faucet	K-6763-XL	recommended
Lavatory supplies, 3/8"	K-7605-P	recommended

Product Information

Fixture*:		basin area	water depth
Lavatory		18" x 8"	4-1/2"
Outlet	1-3/4" D.		
* Approximate measurements for comparison only.			

Holes	K-2167-1		
Spout	1-3/8" D.		

Included Components:	
Lavatory basin	K-2168-1
Shroud	K-2169
Accessory pack	81603
Liftrod linkage assembly	82921
Rubber pads (10 each)	63069
P-trap	80024
Bolt accessory pack	55193



Roughing-In Notes

Fixture dimensions are nominal and conform to tolerances in ASME Standard A112.19.2M.

(T) Pop-up drain 9-1/2".

(S) 8" (Based on 12" riser which may require cutting).

Fixture **MUST** be installed with P-trap furnished with fixture.