

### COUNTERTOP LAVATORY

# K-2181, K-2183

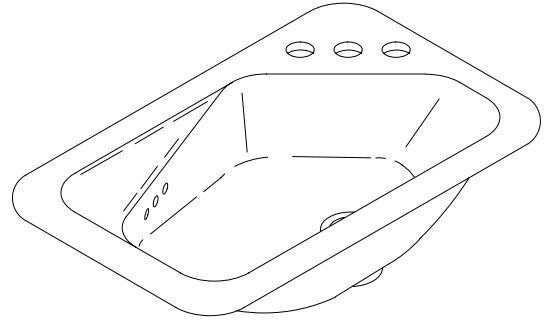
#### FEATURES

- 21" x 13"
- Vitreous china
- Self-rimming
- 4" centers (K-2181-4) drilled on left
- 4" centers (K-2183-4) or single hole (K-2183-1) drilled on right
- With overflow
- With sealant

#### CODES/STANDARDS APPLICABLE

Specified model meets or exceeds the following:

- ASME/ANSI A112.19.2M
- IAPMO/UPC
- State of Massachusetts



#### COLORS/FINISHES

- 0 White
- Other Refer to Fixtures Price Book for additional colors

#### Accessories:

- CP Polished Chrome
- Other Refer to Faucets Price Book for additional finishes

#### SPECIFIED MODEL:

Model	Description	Colors/Finishes	
K-2181-4	4" centers lavatory drilled on left	<input type="checkbox"/> 0 White	<input type="checkbox"/> Other_____
K-2183-4	4" centers lavatory drilled on right	<input type="checkbox"/> 0 White	<input type="checkbox"/> Other_____
K-2183-1	Single-hole lavatory drilled on right	<input type="checkbox"/> 0 White	<input type="checkbox"/> Other_____

Recommended Accessories			
K-8998	Trap	<input type="checkbox"/> CP	<input type="checkbox"/> Other_____

#### PRODUCT SPECIFICATION:

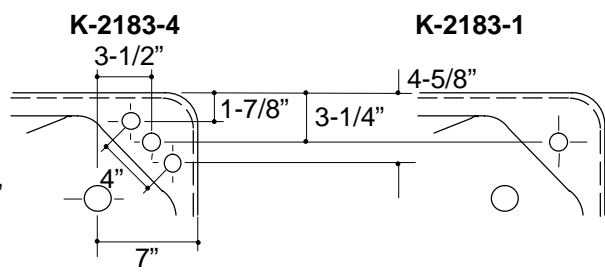
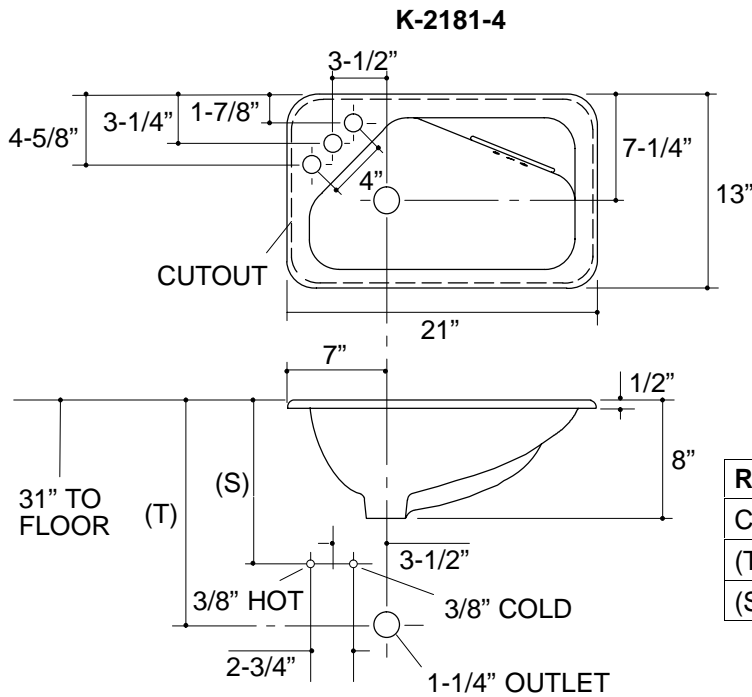
The self-rimming countertop lavatory shall be 21" in length, and 13" in width. Lavatory shall be made of vitreous china. Lavatory shall have 4" centers (K-2181-8) drilled on left, 4" centers (K-2183-4) drilled on right, or single-hole (K-2183-1) drilling on right. Lavatory shall include sealant. Lavatory shall have overflow. Lavatory shall be Kohler Model K-\_\_\_\_\_-\_\_\_\_\_-\_\_\_\_\_.

## PRODUCT INFORMATION

Fixture*:		basin area	water depth
Lavatory		17" x 10"	4-3/8"
Outlet	1-3/4" D.		
* Approximate measurements for comparison only.			

Holes	<b>K-2181-4</b>	<b>K-2183-4</b>	<b>K-2183-1</b>
Spout	1-3/16" D.	1-3/16" D.	1-3/8" D.
Faucet	1-3/16" D.	1-3/16" D.	

Included Components:	
Adhesive sealant	63034
Cutout template	110176



Roughing-In Notes	
Cutout	19-3/8" x 11-5/8" with 1-1/2" radius corners.
(T) Pop-up drain	13-1/8", drain 12-1/4".
(S) 10'	(Based on 12" riser which may require cutting).

1.1>116

## PRODUCT DIAGRAM