

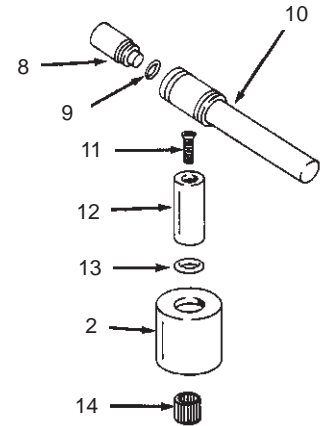
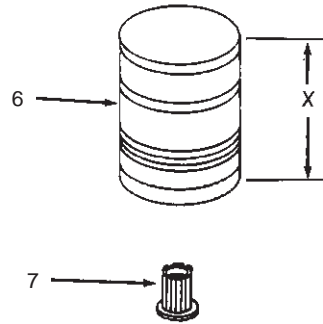
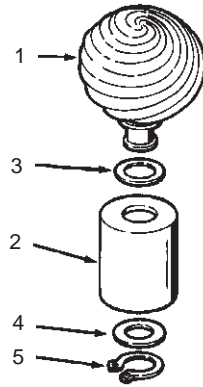
106976§

CYGNET HANDLE OPTIONS

ORDER BY KIT NUMBER OR PART NUMBER, NOT ITEM NUMBER OR KIT LETTER.

Ordering Options

Item	Part No. or Kit
1	A
2	B, C, D, or E
3, 4, 5	F
6	G or H or I
7	J
8, 9, 10, 11, 12	K
13	B, C, D, or E
14	L



Kit Ordering Information

Kit	Kit Part No.	Kit Name	Kit Contents
A	30769	Glass Handle Set	2 ea., Item 1
B	500308‡	Skirt (Widespread Bidet)	1 ea., Items 2 and 13
C	30535‡	Skirt (Wall Mount Bath)	1 ea., Items 2 and 13
D	30523‡	Skirt (Deck Mount Bath)	1 ea., Items 2 and 13
E	30545‡	Skirt (Widespread Lavatory)	1 ea., Items 2 and 13
F	30771‡	Handle Attachment Kit	2 ea., Items 3, 4, and 5
G	23140‡	Handle (X = 1-3/4")	1 ea., Item 6
H	23163‡	Handle (X = 2-1/8")	1 ea., Item 6
I	30537‡	Handle (X = 1-15/16")	1 ea., Item 6
J	30502	Spline Adapter Kit	2 ea., Item 7
K	30544‡	Lever Handle Kit	1 ea., Items 8 thru 12
L	48502	Spline Adapter Kit	2 ea., Item 14

KITS MAY INCLUDE EXTRA PARTS

NOTES:

LEGEND:

‡ Specify Finish.

§ Reference Number Only.