

### Ordering Information

Applicable product:		
Five-hole sink	K-3248-5	shown
Three-hole sink	K-3248-3	not shown
One-hole sink	K-3248-1	not shown
Accessories/hardware:		
Bottom basin rack	K-3190	optional
Hardwood cutting board	K-3294	optional
Wire rinse basket	K-3277	optional

### Product Information

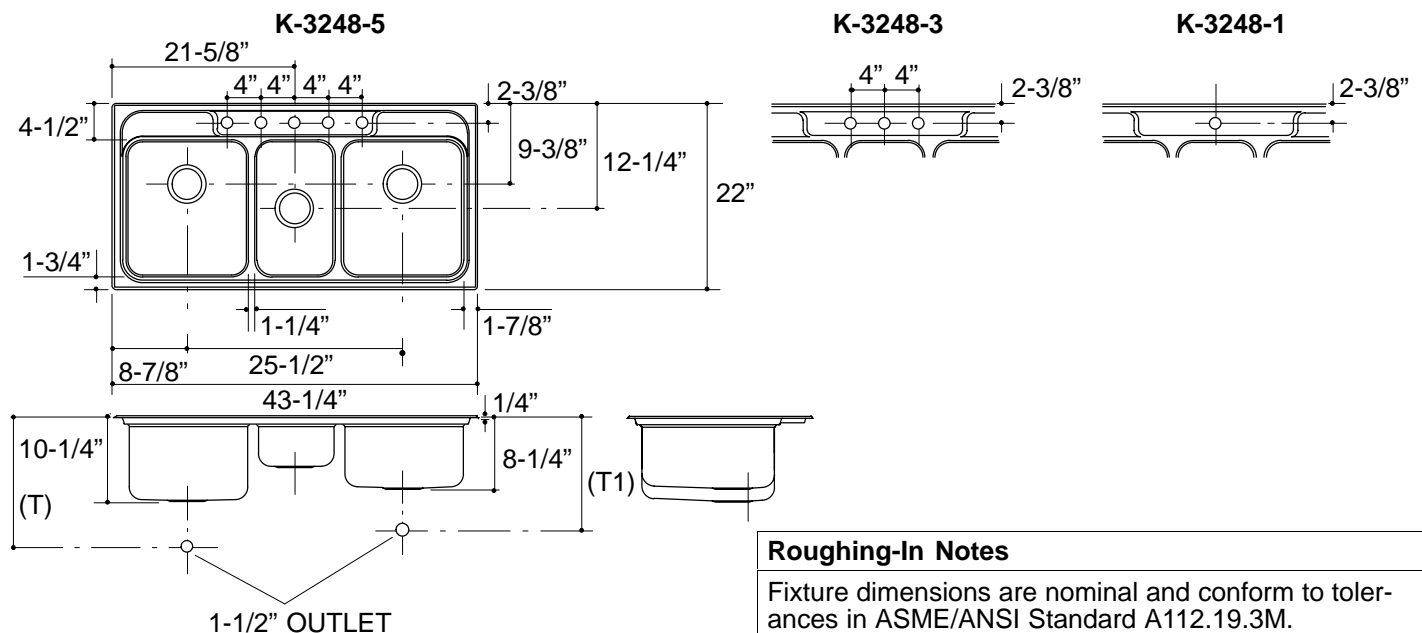
Fixture*:		basin area	water depth
Sink, left		14" x 16"	9-1/4"
Disposal		9" x 16"	5-1/4"
Sink, right		14" x 16"	7-1/4"
Outlet	3-5/8" D.		
Faucet holes	1-7/16" D.		

\* Approximate measurements for comparison only.

Included Components:	
Fastener pack	90208

### Installation Notes

Refer to installation instructions included with fixture before beginning installation.



#### Roughing-In Notes

Fixture dimensions are nominal and conform to tolerances in ASME/ANSI Standard A112.19.3M.

(T) Drain typically 15-9/16".

(T1) Drain typically 13-9/16".

Cutout 42-3/4" x 21-1/2" with 1/2" radius corners.

.9<116