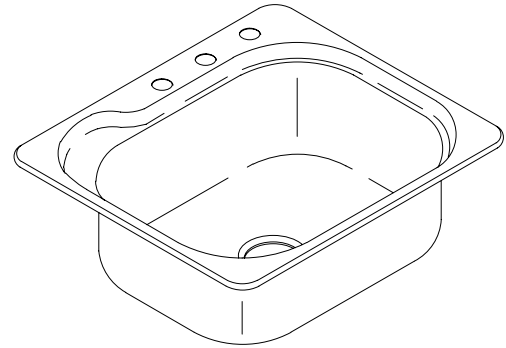


### SELF-RIMMING KITCHEN SINK

# K-3300

#### FEATURES

- 25" x 22"
- 18 gauge stainless steel
- Self-rimming
- Single compartment
- 3-hole (K-3300-3), 4-hole (K-3300-4), or single-hole (K-3300-1) faucet punching
- Includes installation hardware



#### CODES/STANDARDS APPLICABLE

Specified model meets or exceeds the following:

- IAPMO/UPC
- State of Massachusetts

#### COLORS/FINISHES

- NA None Applicable

#### Accessories:

- CP Polished Chrome
- Other Refer to Price Book for additional finishes

#### SPECIFIED MODEL:

Model	Description	Colors/Finishes	
K-3300-3	3-hole sink	<input type="checkbox"/> NA	
K-3300-4	4-hole sink	<input type="checkbox"/> NA	
K-3300-1	Single-hole sink	<input type="checkbox"/> NA	
Optional Accessories			
K-8801	Duostrainer sink strainer	<input type="checkbox"/> CP	<input type="checkbox"/> Other_____

#### PRODUCT SPECIFICATION:

The self-rimming sink shall be 25" in length, and 22" in width. Sink shall be made of 18 gauge stainless steel. Sink shall be single compartment. Sink shall be 3-hole (K-3300-3), 4-hole (K-3300-4), or single-hole (K-3300-1) faucet punched. Sink shall include installation hardware. Sink shall be Kohler Model K-3300-\_\_\_\_\_-\_\_\_\_\_.

