

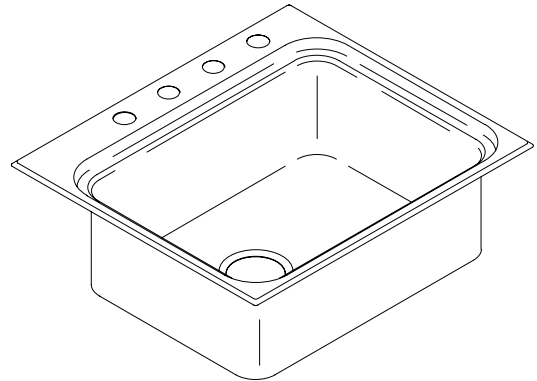
FEATURES

- 25" x 22"
- 18 gauge stainless steel
- Self-rimming
- Single compartment
- 3-hole (K-3208-3), or 4-hole (K-3208-4) faucet punching
- Includes installation hardware

CODES/STANDARDS APPLICABLE

Specified model meets or exceeds the following:

- None applicable



COLORS/FINISHES

- NA None Applicable

Accessories:

- CP Polished Chrome
- 0 White
- NA None Applicable
- Other Refer to Price Book for additional colors

SPECIFIED MODEL:

Model	Description	Colors/Finishes
K-3208-3	3-hole sink	<input type="checkbox"/> NA
K-3208-4	4-hole sink	<input type="checkbox"/> NA

Optional Accessories			
K-3192	Bottom basin rack	<input type="checkbox"/> 0 White	<input type="checkbox"/> Other _____
K-3277	Wire rinse basket	<input type="checkbox"/> 0 White	<input type="checkbox"/> Other _____
K-3294	Hardwood cutting board		<input type="checkbox"/> NA
K-8801	Duostrainer sink strainer	<input type="checkbox"/> CP	<input type="checkbox"/> Other _____

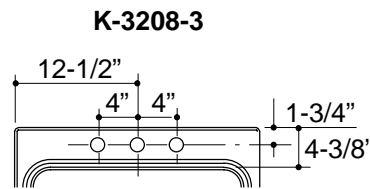
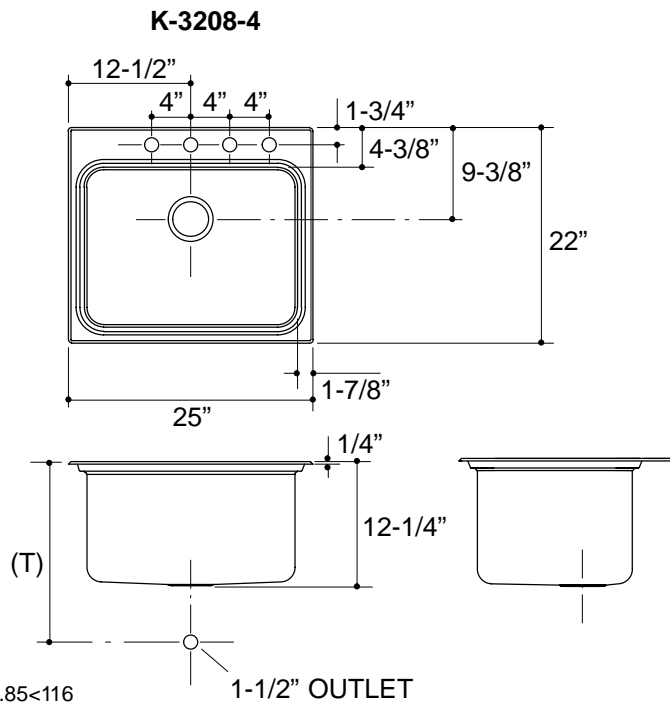
PRODUCT SPECIFICATION:

The utility sink shall be 25" in length, and 22" in width. Sink shall be made of 18 gauge stainless steel. Sink shall be single compartment. Sink shall be 3-hole (K-3208-3), or 4-hole (K-3208-4) faucet punched. Sink shall be Kohler Model K-3208-_____-_____.

BALLAD

PRODUCT INFORMATION

Fixture*:		basin area	water depth
Sink		21" x 16"	12"
Outlet	3-5/8" D.		
Faucet holes	1-7/16" D.		
* Approximate measurements for comparison only.			
Included Components:			
Fastener pack		90208	



Roughing-In Notes

(T) Drain typically 17-5/8".

Cutout 24-1/2" x 21-1/2" with 1/2" radius corners.

PRODUCT DIAGRAM