

Ordering Information

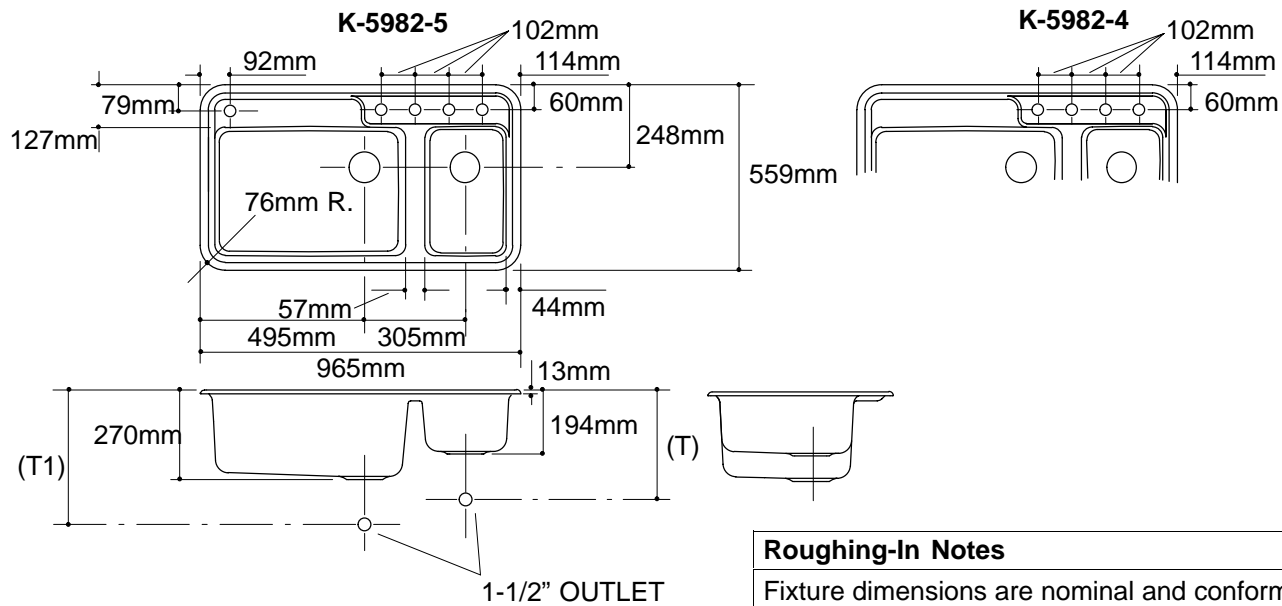
Applicable product:		
Five-hole sink	K-5982-5	shown
Four-hole sink	K-5982-4	not shown
Accessories/hardware:		
Hardwood cutting board	K-5984	optional
Bottom basin rack	K-6012	optional
Wire rinse basket	K-6519	optional

Product Information

Fixture*:		basin area	water depth
Sink, small		254 x 381mm	152mm
Sink, large		584 x 381mm	229mm
Outlets	Ø92mm		
Faucet holes	Ø35mm		
* Approximate measurements for comparison only.			

Installation Notes

Refer to installation instructions included with fixture before beginning installation.



Roughing-In Notes	
Fixture dimensions are nominal and conform to tolerances in ASME/ANSI Standard A112.19.1M.	
(T) Drain typically 356mm.	
(T1) Drain typically 406mm.	
Cutout	927 x 521mm with 51mm radius corners.

.7<116

K-5982 Galleon™ Sink
111350-1M-BA (-)