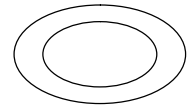
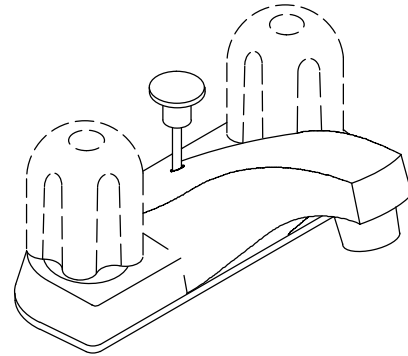


**LAVATORY FAUCET
K-11800**

FEATURES

- Brass construction
- For 4" centers
- Brass valve bodies
- Compression valves
- 3-5/8" spout
- 2.0 gallons per minute
- Pop-up drain with lift rod and tailpiece
- Available with metal or sculptured acrylic handles



CODES/STANDARDS APPLICABLE



Specified model meets or exceeds the following:

- ASME/ANSI A112.18.1M
- CSA B125
- Energy Policy Act of 1992
- IAPMO/UPC
- NSF 61

COLORS/FINISHES

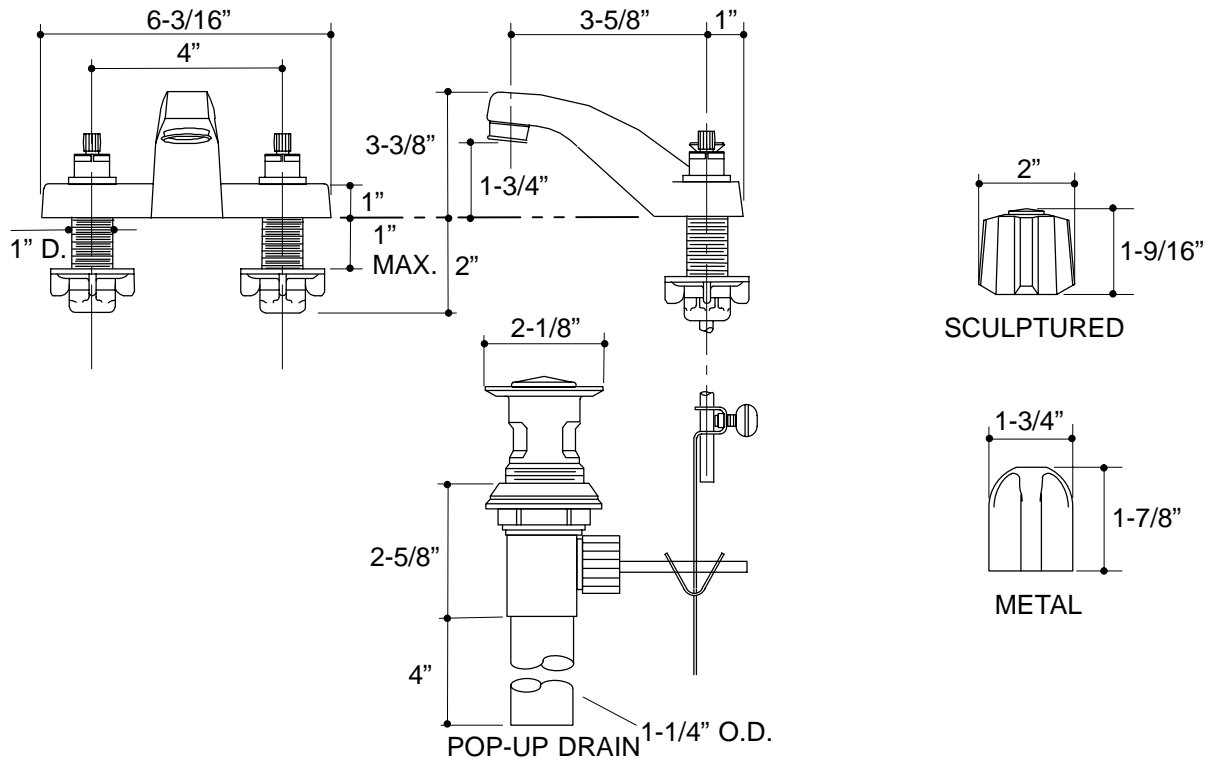
- CP Polished Chrome

SPECIFIED MODEL:

Model	Description		
K-11800-U	With Metal Handles	<input type="checkbox"/> CP	
K-11800-P	With Sculptured Acrylic Handles		<input type="checkbox"/> CP

PRODUCT SPECIFICATION:

Two-handle centerset lavatory faucet shall be of brass construction. Faucet shall feature brass valve bodies. Faucet shall also feature compression valves. Product shall include 4" centers, 3-5/8" spout, pop-up drain with lift rod and tailpiece, and metal or sculptured acrylic handles. Faucet shall be Kohler Model K-11800-____-CP.



PRODUCT DIAGRAM