

**LAVATORY FAUCET  
K-11810**

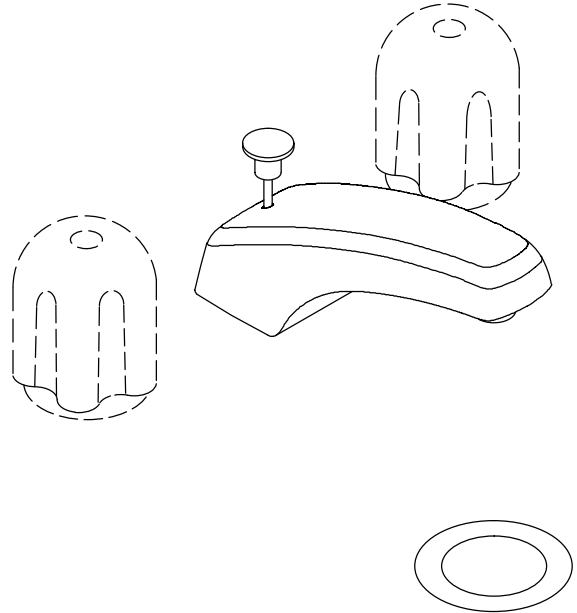
**FEATURES**

- Brass construction
- Flexible connections
- Brass valve bodies
- Compression valves
- 2.0 gallons per minute
- 5-1/4" spout
- Pop-up drain with lift rod and tailpiece
- Available with metal or sculptured acrylic handles

**CODES/STANDARDS APPLICABLE**

Specified model meets or exceeds the following:



- ASME/ANSI A112.18.1M
- CSA B125
- Energy Policy Act of 1992
- IAPMO/UPC
- NSF 61



**COLORS/FINISHES**

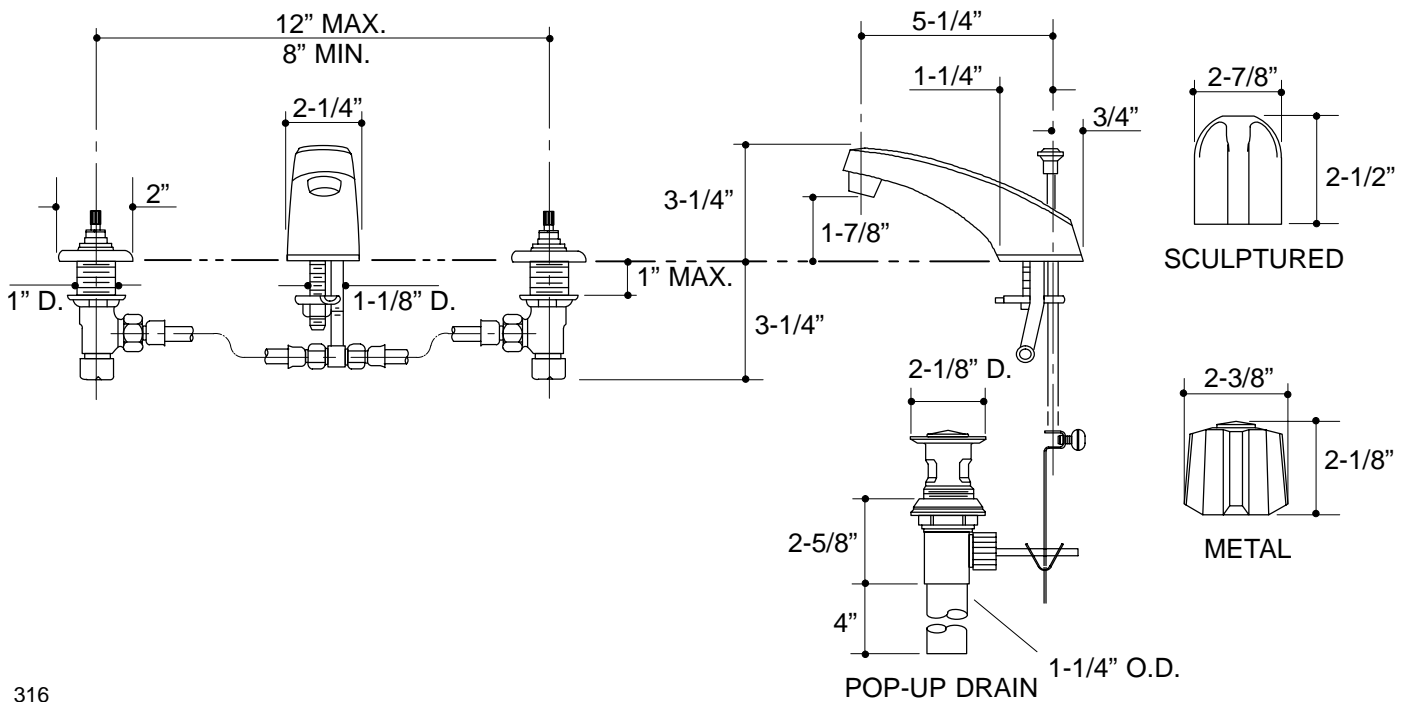
- CP Polished Chrome

**SPECIFIED MODEL:**

Model	Description		
K-11810-U	With Metal Handles	<input type="checkbox"/> CP	
K-11810-P	With Sculptured Acrylic Handles		<input type="checkbox"/> CP

**PRODUCT SPECIFICATION:**

Two-handle widespread lavatory faucet shall be of brass construction. Faucet shall feature brass valve bodies. Faucet shall also feature compression valves. Product shall include flexible connections, 5-1/4" spout, pop-up drain with lift rod and tailpiece, and metal or sculptured acrylic handles. Faucet shall be Kohler Model K-11810-\_\_\_\_-CP.



316

**PRODUCT DIAGRAM**