

**BAR SINK FAUCET  
K-11933**

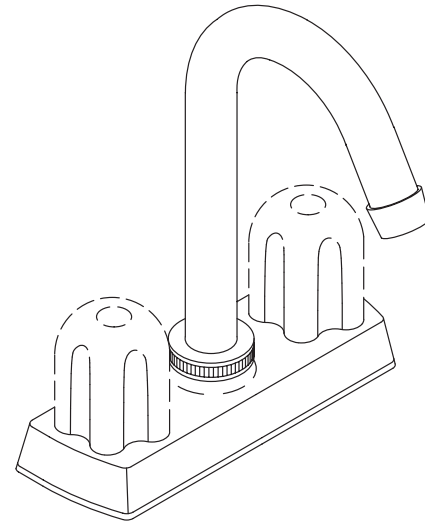
**FEATURES**

- Brass construction
- For 4" centers
- Brass valve bodies
- Compression valves
- 4" gooseneck spout
- 2.2 gallons per minute
- Available with metal or sculptured acrylic handles

**CODES/STANDARDS APPLICABLE**

Specified model meets or exceeds the following:



- ASME/ANSI A112.18.1M
- CSA B125
- Energy Policy Act of 1992
- IAPMO/UPC
- NSF 61



**COLORS/FINISHES**

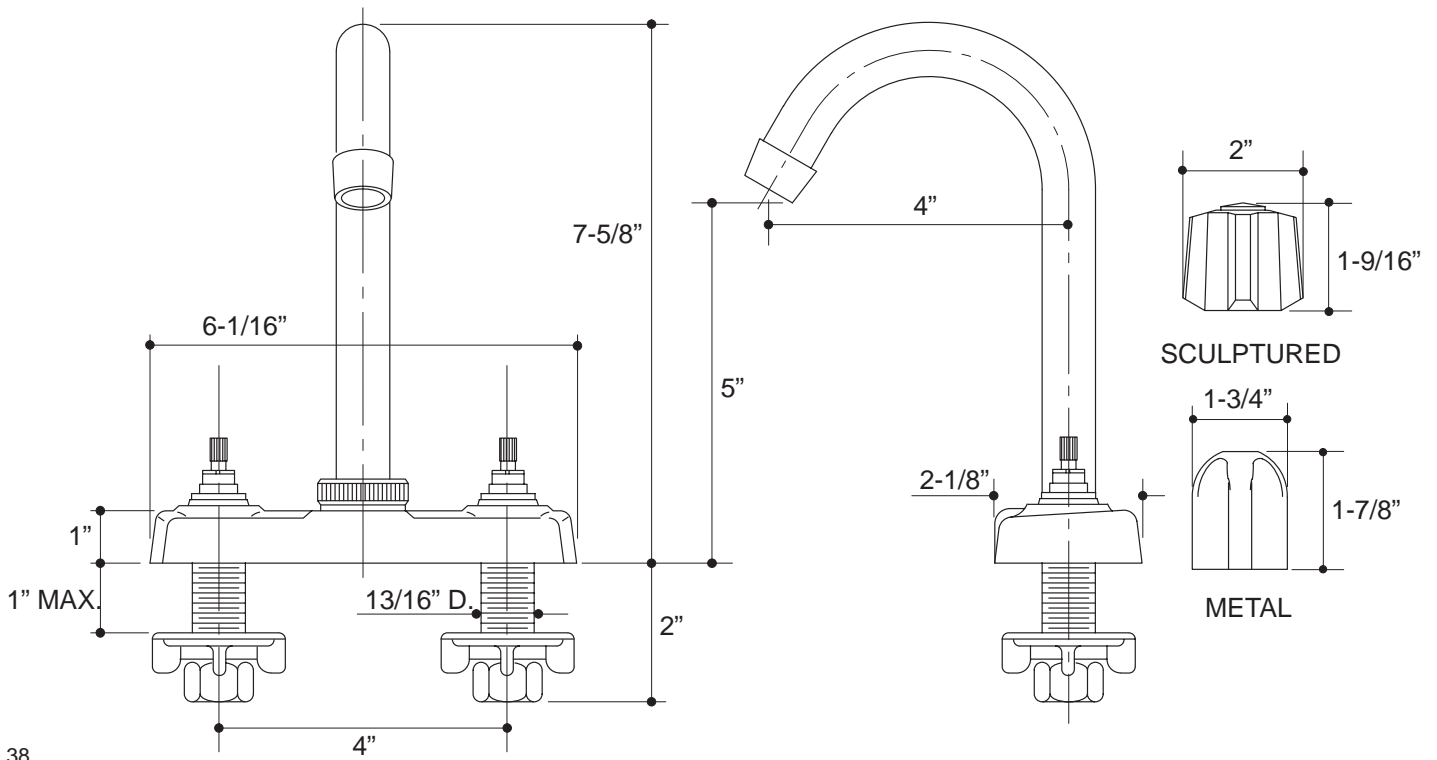
- CP Polished Chrome

**SPECIFIED MODEL:**

Model	Description		
K-11933-U	With Metal Handles	<input type="checkbox"/> CP	
K-11933-P	With Sculptured Acrylic Handles		<input type="checkbox"/> CP

**PRODUCT SPECIFICATION:**

Two-handle centerset bar sink faucet shall be of brass construction. Faucet shall feature brass valve bodies. Faucet shall also feature compression valves. Product shall include 4" centers, 4" gooseneck spout, and metal or sculptured acrylic handles. Faucet shall be Kohler Model K-11933-\_\_\_\_-CP.



38

**PRODUCT DIAGRAM**