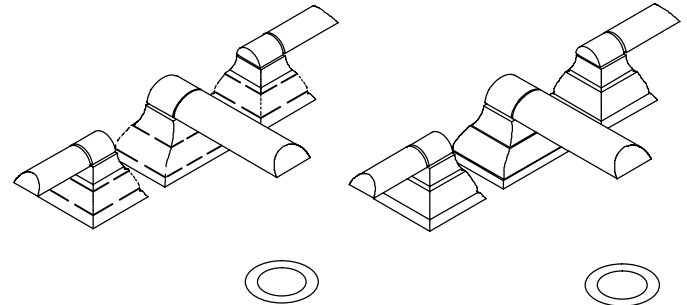


**LAVATORY FAUCET  
K-6402**

**ADA**

**FEATURES**

- Brass construction
- Flexible connections
- Brass valve bodies
- Quarter-turn washerless ceramic disc valves
- 3-11/16" spout
- 2.0 gallons per minute
- Pop-up drain with lift rod and tailpiece
- Lever handles
- Available with one- or multi-piece escutcheons



K-6402-4B

K-6402-4

**CODES/STANDARDS APPLICABLE**

Specified model meets or exceeds the following:

- ASME/ANSI A112.18.1M
- Energy Policy Act of 1992
- IAPMO/UPC
- NSF 61

**COLORS/FINISHES**

- CP Polished Chrome
- PB Polished Brass

**SPECIFIED MODEL:**

**MULTI-PIECE ESCUTCHEONS:** For complete faucet, both faucet and decorative inserts must be specified.

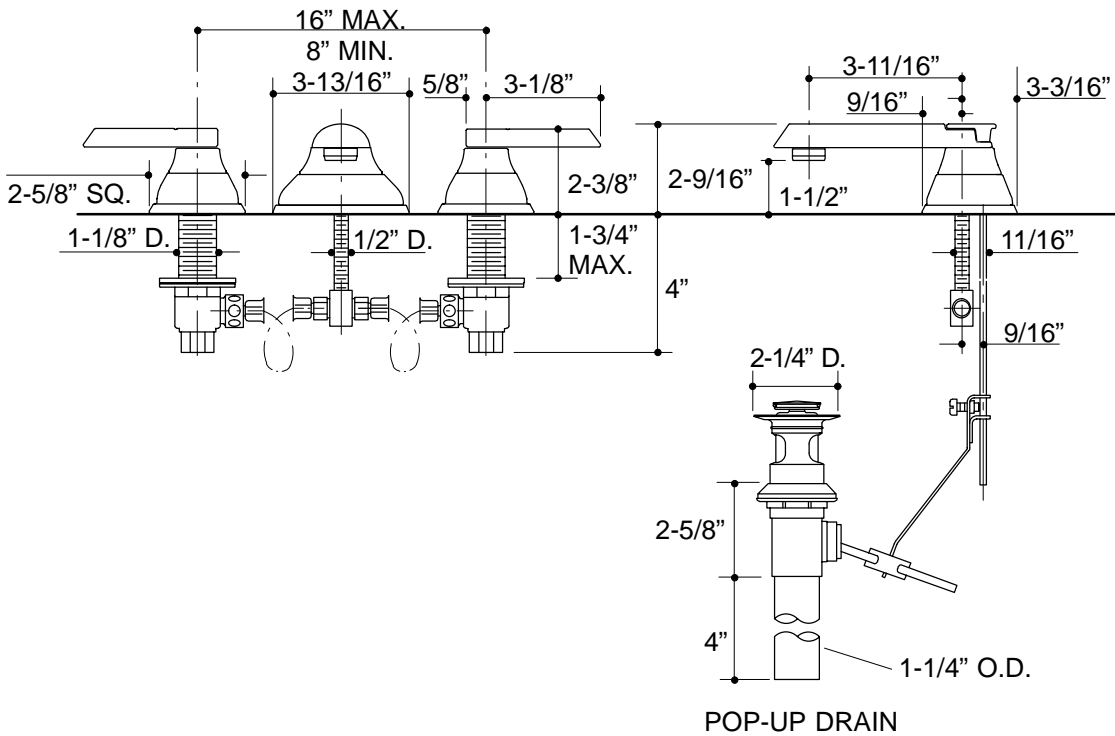
Model	Description		
K-6402-4B	Neuville Widespread Lavatory Faucet	<input type="checkbox"/> CP	<input type="checkbox"/> PB
<b>Required Accessory</b>			
K-17202	Decorative Inserts		

**ONE-PIECE ESCUTCHEONS:** One-piece matching finish handles included.

K-6402-4	Neuville Widespread Lavatory Faucet	<input type="checkbox"/> CP	<input type="checkbox"/> PB
----------	-------------------------------------	-----------------------------	-----------------------------

**PRODUCT SPECIFICATION:**

Two-handle widespread lavatory faucet shall be of brass construction. Faucet shall feature brass valve bodies. Faucet shall feature quarter-turn washerless ceramic disc valves, assuring positive handle stop positioning. Product shall include flexible connections, 3-11/16" spout, pop-up drain with lift rod and tailpiece, and lever handles. Faucet with multi-piece escutcheons shall be Kohler Model K-6402-4B-\_\_\_\_\_ with K-17202-\_\_\_\_\_ inserts **OR** faucet with one-piece escutcheons shall be Kohler Model K-6402-4-\_\_\_\_\_.



316

**PRODUCT DIAGRAM**