

Ordering Information

Applicable product:		
Left outlet	K-1353	not shown
Right outlet	K-1354	shown
Accessories/hardware:		
Drain	K-7167	recommended
Wall-mount grab bars		recommended
Anti-scald faucet		recommended
High-flow bath filler		recommended
Apron shipped assembled; pan is integral to unit.		

Requirements Electrical Service

Circuit must be protected with Class A Ground-Fault Circuit-Interrupter (GFCI):	
Door seal system	120 V., 60 Hz, 15 A.

Product Information

Fixture*:	basin area	top area	weight
Bathing well	1092 x 508mm	1321 x 635mm	65 Kg.
	water depth	capacity	
To overflow	489mm	303 litres	

* Approximate measurements for comparison only.

Installation Notes

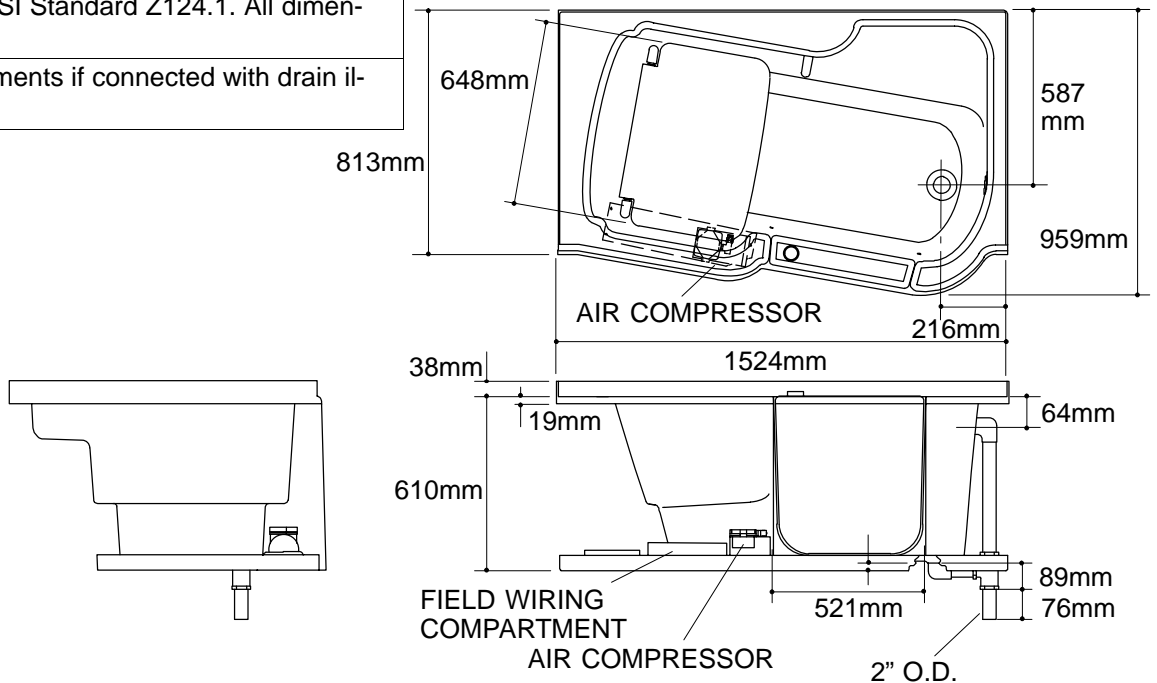
Refer to installation instructions included with fixture before beginning installation.

Finished floor thickness 13mm max. above bottom of support base pan. For thicker flooring, provide additional sub-flooring under bath.

Roughing-In Notes

Fixture conforms to ANSI Standard Z124.1. All dimensions are nominal.

No change in measurements if connected with drain illustrated.



1.25>132

K-1353, K-1354 Precedence™ Bath
113016-1M-AA (-)

KOHLER®