

**BATH AND SHOWER FAUCET
K-11608**

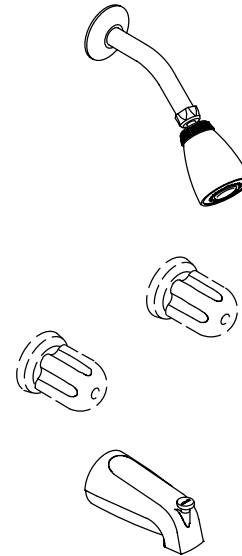
FEATURES

- Brass construction
- Brass valve bodies
- Compression valves
- 4-7/8" diverter spout with N.P.T. or slip-fit connection
- Available with metal or sculptured acrylic handles
- Adjustable escutcheons

CODES/STANDARDS APPLICABLE

Specified model meets or exceeds the following:

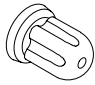
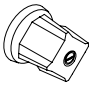
- ASME/ANSI A112.18.1M
- CSA B125
- IAPMO/UPC



COLORS/FINISHES

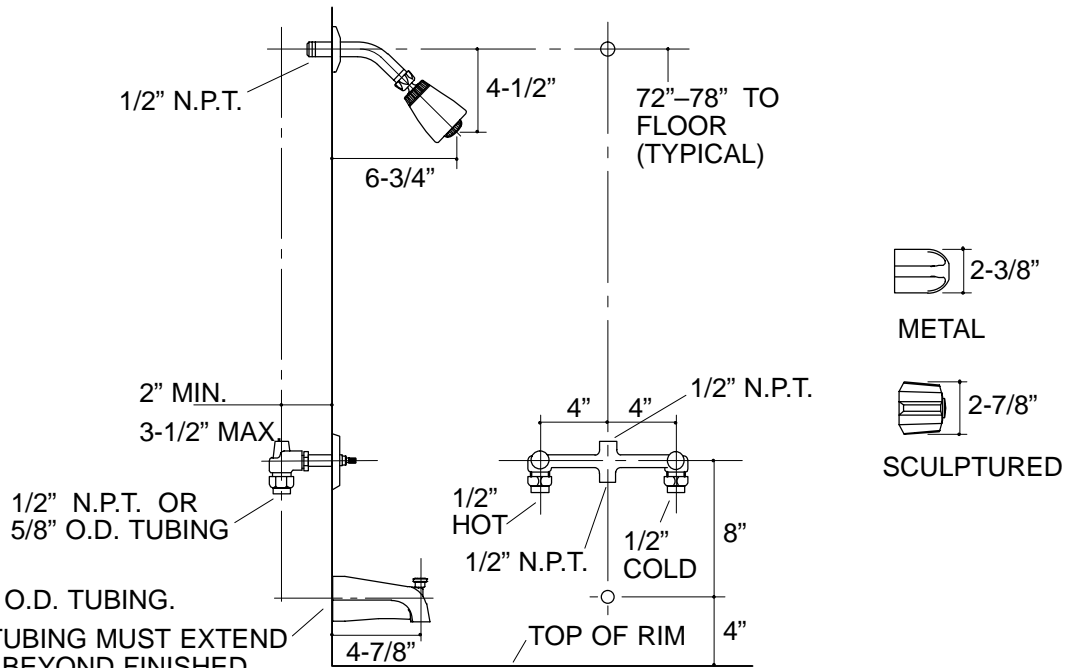
- CP Polished Chrome

SPECIFIED MODEL:

Model	Description		
Metal Handles:			
K-11608-U	N.P.T. Non-Diverter Spout; N.P.T. Union Connections	<input type="checkbox"/> CP	
K-11608-UC	N.P.T. Non-Diverter Spout; Direct Sweat Union Connections	<input type="checkbox"/> CP	
K-11608-UD	Slip-Fit Non-Diverter Spout; Direct Sweat Inlets	<input type="checkbox"/> CP	
K-11608-UE	Slip-Fit Non-Diverter Spout; Direct Sweat Union Connections	<input type="checkbox"/> CP	
K-11608-US	Slip-Fit Non-Diverter Spout; N.P.T. Union Connections	<input type="checkbox"/> CP	
Sculptured Acrylic Handles:			
K-11608-P	N.P.T. Non-Diverter Spout; N.P.T. Union Connections		<input type="checkbox"/> CP
K-11608-PC	N.P.T. Non-Diverter Spout; Direct Sweat Union Connections		<input type="checkbox"/> CP
K-11608-PD	Slip-Fit Non-Diverter Spout; Direct Sweat Inlets		<input type="checkbox"/> CP
K-11608-PE	Slip-Fit Non-Diverter Spout; Direct Sweat Union Connections		<input type="checkbox"/> CP
K-11608-PS	Slip-Fit Non-Diverter Spout; N.P.T. Union Connections		<input type="checkbox"/> CP

PRODUCT SPECIFICATION:

Two-handle bath and shower faucet shall be of brass construction. Faucet shall feature brass valve bodies. Faucet shall also feature compression valves. Product shall include showerhead with arm and flange, 4-7/8" diverter spout with N.P.T. or slip-fit connection, metal or sculptured acrylic handles, and adjustable escutcheons. Optional feature shall be N.P.T. or direct sweat connections. Faucet shall be Kohler Model K-11608-_____-CP.



1/2" N.P.T. PIPE OR 5/8" O.D. TUBING.
 FOR SLIP-FIT SPOUT, TUBING MUST EXTEND 1-1/2" MIN.; 2-7/8" MAX. BEYOND FINISHED WALL.

FOR N.P.T. SPOUT, PIPE MUST EXTEND 3-7/8" BEYOND FINISHED WALL.

PRODUCT DIAGRAM