

Ordering Information

Accessories/hardware:		
Jet trim kit	K-9696	included
Apron	K-1223	optional
Drain	K-7161-AF	recommended
Vinyl tiling-in bead*	K-1179	optional
*Use K-1179 vinyl bead when wall material contacts any top surface of bath.		

Required Electrical Service

Dedicated circuit required, protected with Class A Ground-Fault Circuit-Interrupter (GFCI):	
Pump/control	120 V., 15 A, 60 Hz

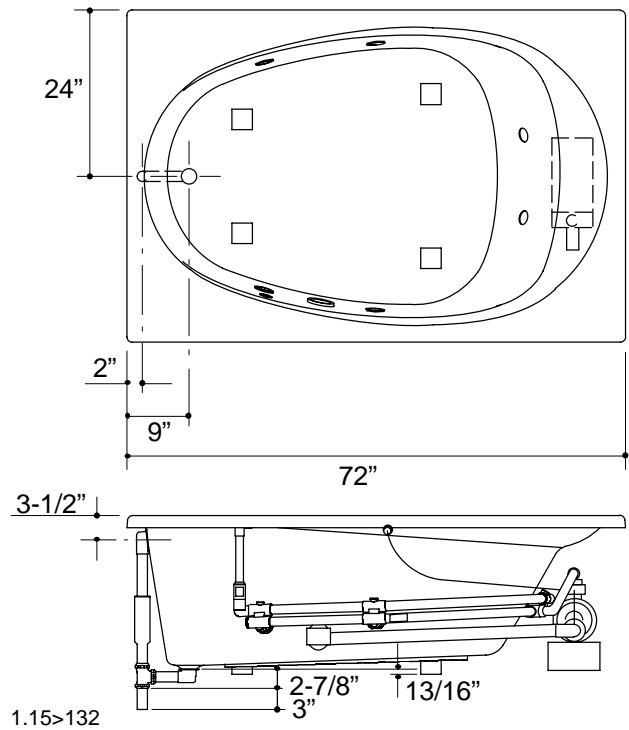
Product Information

Fixture*:	basin area	top area	weight	
Bathing well	47" x 37"	67" x 42"	120 lbs.	
	water depth	capacity		
To overflow	16-7/8"	122 gal.		
* Approximate measurements for comparison only.				
Pump:	HP	V	Hz	A
1-speed	3/4	120	60	10.5

Installation Notes

Refer to installation instructions included with fixture before beginning installation.

Each pump is supplied with a grounding type plug-in cord. Locate the outlet behind the whirlpool, and within 24" of the pump.



Roughing-In Notes		
Fixture conforms to ANSI Standard Z124.1. All dimensions are nominal.		
No change in measurements if connected with drain illustrated.		
Cut-out	70-1/4" x 46-1/4"	
Minimum access panel:		
Pump/control	20" W x 15" H	required

