

Ordering Information

Accessories/hardware:		
Jet trim kit	K-9698	required
Drain	K-7155	recommended

Required Electrical Service

Dedicated circuit required, protected with Class A Ground-Fault Circuit-Interrupter (GFCI):	
Pump/control	120 V., 20 A, 60 Hz

Product Information

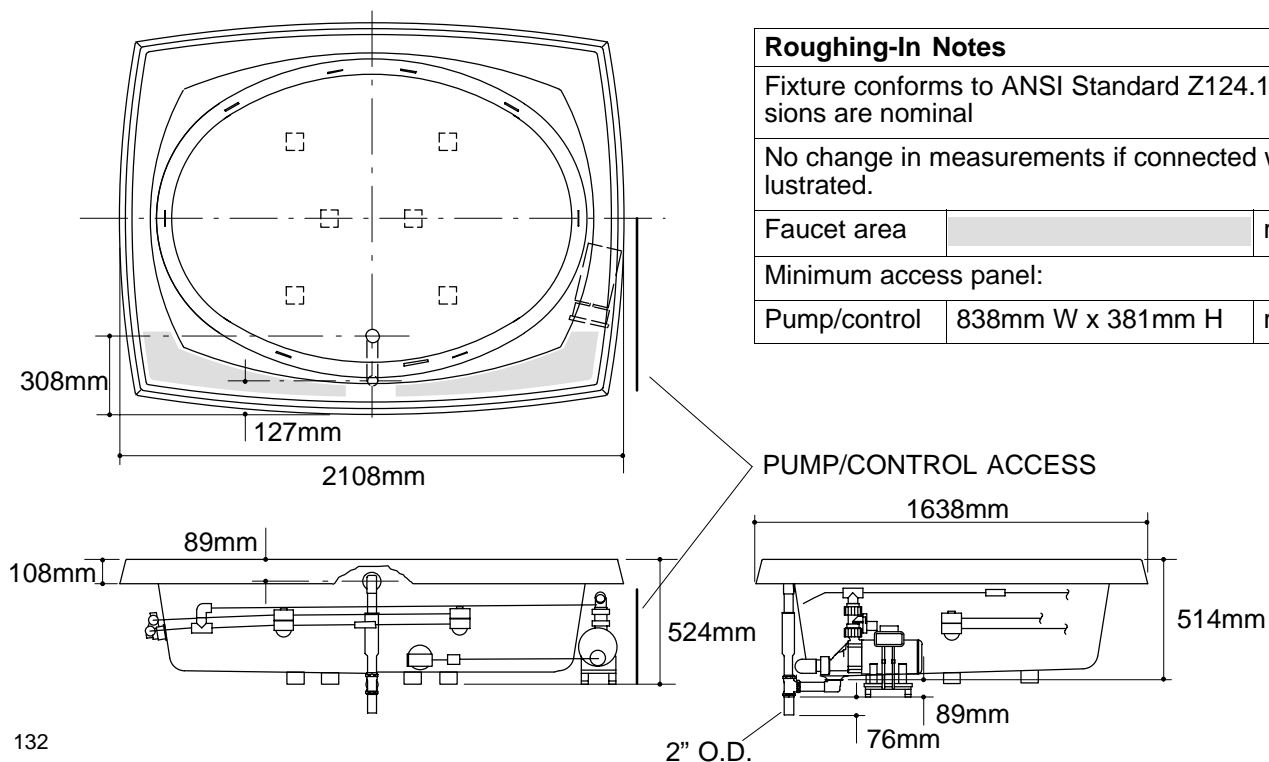
Fixture*:	basin area	top area	weight	
Bathing well	1676 x 1219mm	1854 x 1397mm	118 Kg.	
	water depth	capacity		
To overflow	394mm	643 litres		
* Approximate measurements for comparison only.				
Pump:	HP	V	Hz	A
1-speed	2	120	60	18.5
Included Components:				
Cutout template			114324-7	

Installation Notes

Refer to installation instructions included with fixture before beginning installation.

If installing a rim-mount faucet, make sure there is no interference with drain overflow and circulating system before drilling any holes. Consult local and national codes for minimum air gap requirements if installing a spout on the faucet deck.

Each pump is supplied with a grounding type plug-in cord. Locate the outlet behind the whirlpool, and within 610mm of the pump.



Roughing-In Notes

Fixture conforms to ANSI Standard Z124.1. All dimensions are nominal

No change in measurements if connected with drain illustrated.

Faucet area		recommended
-------------	--	-------------

Minimum access panel:

Pump/control	838mm W x 381mm H	required
--------------	-------------------	----------