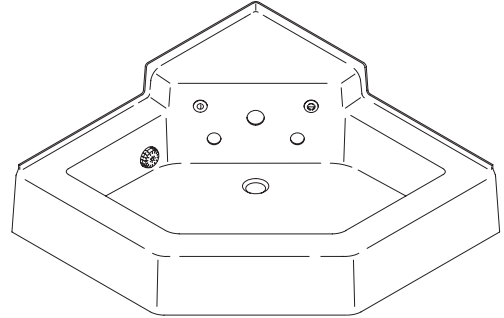


### SHOWER AND FOOT WHIRLPOOL RECEPTOR

# K-1579, K-1587

#### FEATURES

- 50" x 50" x 10"
- Acrylic
- 3/4 hp pump with air switch actuator
- 6 Flexjets
- UL Listed
- LESS ALL TRIM
- Skid-resistant floor



#### CODES/STANDARDS APPLICABLE

Specified model meets or exceeds the following:

- ANSI Z124.2
- IAPMO/UPC
- Underwriters Laboratories (UL)
- State of Massachusetts
- Dade County, Florida

#### COLORS/FINISHES

- 0 White
- Other Refer to Fixtures Price Book for additional colors

#### Accessories:

- CP Polished Chrome
- PB Polished Brass
- SV Nevada Silver™
- BR New England Brass™
- Other Refer to Faucets Price Book for additional finishes
- NA None Applicable

#### SPECIFIED MODEL:

Model	Description	Colors/Finishes	
K-1579	Foot whirlpool	<input type="checkbox"/> 0 White	<input type="checkbox"/> Other_____
K-1587	Shower receptor	<input type="checkbox"/> 0 White	<input type="checkbox"/> Other_____

Required Accessories			
K-9696	Jet trim kit	<input type="checkbox"/> CP	<input type="checkbox"/> PB <input type="checkbox"/> Other_____
K-9713	Wood seat <b>OR</b>		<input type="checkbox"/> NA
K-9714	Hinged plastic seat	<input type="checkbox"/> 0 White	<input type="checkbox"/> Other_____

Recommended and Optional Accessories on Page 2

#### PRODUCT SPECIFICATION:

The neo-angle foot whirlpool shall be 50" in length, 50" in width, and 10" in height. Foot whirlpool shall be made of acrylic. Foot whirlpool shall have 6 flexjets with 3/4 hp pump and air switch actuator. Foot whirlpool shall be UL listed. Foot whirlpool shall be less all trim. Foot whirlpool shall have skid-resistant floor. Foot whirlpool shall be Kohler Model K-\_\_\_\_\_ - \_\_\_\_\_.

# WHITECAP

Recommended Accessories				
K-11656	Drain	<input type="checkbox"/> CP	<input type="checkbox"/> PB	<input type="checkbox"/> Other_____
Optional Accessories				
K-9719	Glassworks™ steam dome with clear glass	<input type="checkbox"/> SV	<input type="checkbox"/> BR	
K-1559	Steam generator			<input type="checkbox"/> NA
K-9853	Profile® neo-angle shower enclosure* <b>OR</b>	<input type="checkbox"/> SV	<input type="checkbox"/> BR	<input type="checkbox"/> Other_____
K-9717	Glassworks™ neo-angle shower enclosure	<input type="checkbox"/> SV	<input type="checkbox"/> BR	<input type="checkbox"/> NA

\* Refer to Fixtures Price Book for glass options.

## REQUIRED ELECTRICAL SERVICE

Dedicated circuit required, protected with Class A Ground-Fault Circuit-Interrupter (GFCI):	
Pump/control	120 V., 15 A, 60 Hz

## INSTALLATION NOTES

Pump is supplied with a grounding type plug-in cord.

## PRODUCT INFORMATION

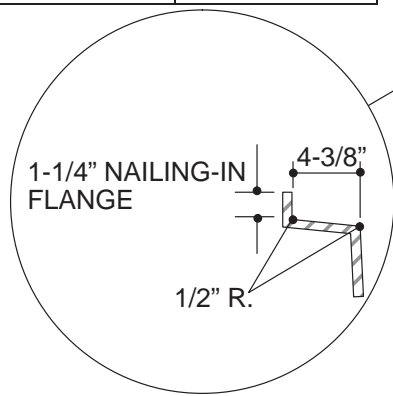
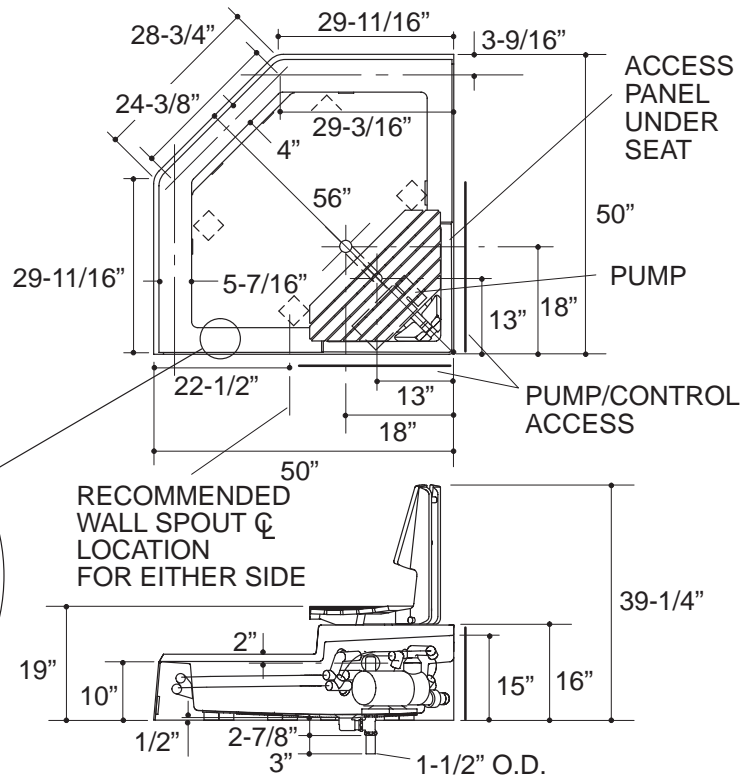
Fixture*:	basin area	top area	weight
Bathing well	53" x 29"	55" x 31"	94 lbs.
	water depth	capacity	
To overflow	7"	32 gal.	

\* Approximate measurements for comparison only.

Pump:	HP	V	Hz	A
1-speed	3/4	120	60	10.5

### Roughing-In Notes

No change in measurements if connected with drain illustrated.		
Minimum access:		
Pump/control	30" W x 15" H panel	required



## PRODUCT DIAGRAM