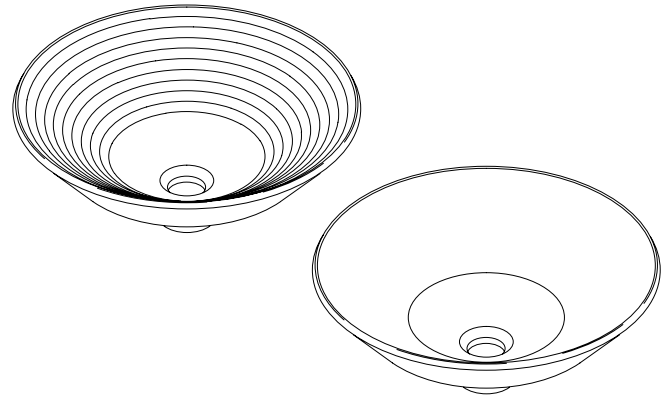


### TURNINGS AND CONICAL BELL LAVATORY

# K-2191, K-2200

#### FEATURES

- 16-1/4" diameter
- Vitreous china
- Above-the-counter or wall-mount bracket
- With sealant
- Turnings (K-2191) or Conical Bell (K-2200) lavatory



#### CODES/STANDARDS APPLICABLE

Specified model meets or exceeds the following:

- ASME/ANSI A112.19.2M
- IAPMO/UPC
- Canadian Standards Association (CSA)
- State of Massachusetts

#### COLORS/FINISHES

- 0 White
- Other Refer to Fixtures Price Book for additional colors

#### Accessories:

- CP Polished Chrome
- Other Refer to Faucets Price Book for additional finishes
- NA None Applicable

#### SPECIFIED MODEL:

Model	Description	Colors/Finishes	
K-2191	Turnings lavatory	<input type="checkbox"/> 0 White	<input type="checkbox"/> Other_____
K-2191-G	Turnings lavatory with glazed underside	<input type="checkbox"/> 0 White	<input type="checkbox"/> Other_____
K-2200	Conical Bell lavatory	<input type="checkbox"/> 0 White	<input type="checkbox"/> Other_____
K-2200-G	Conical Bell lavatory with glazed underside	<input type="checkbox"/> 0 White	<input type="checkbox"/> Other_____

Recommended Accessories			
K-9018	Trap	<input type="checkbox"/> CP	<input type="checkbox"/> Other_____
K-7702	Pop-up drain with undercounter-mount actuator <b>OR</b>	<input type="checkbox"/> CP	<input type="checkbox"/> Other_____
K-7710	Drain <b>OR</b>		<input type="checkbox"/> CP
K-7715	Grid drain	<input type="checkbox"/> CP	<input type="checkbox"/> Other_____

Optional Accessories on Page 2

#### PRODUCT SPECIFICATION:

The lavatory shall be 16-1/4" in diameter. Lavatory shall be made of vitreous china. Lavatory shall be either above the counter or wall-mounted. Lavatory shall be either Turnings (K-2191) or Conical Bell (K-2200). Lavatory shall include sealant. Lavatory shall be Kohler Model K-\_\_\_\_\_-\_\_\_\_\_-\_\_\_\_\_.

# VESSELS™

## Optional Accessories

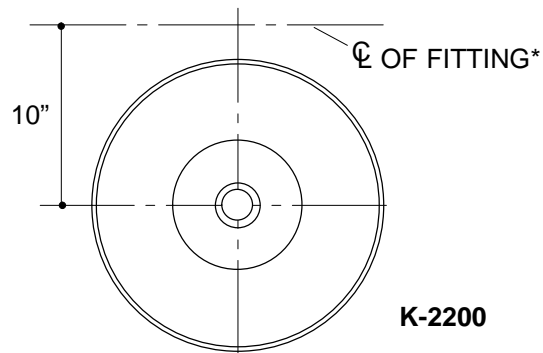
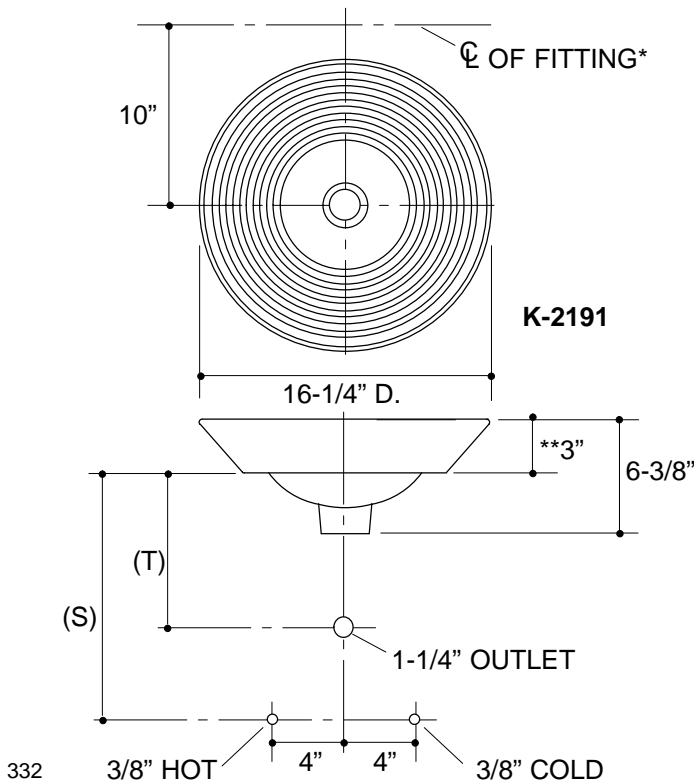
K-9655	Vessels wall-mount bracket	<input type="checkbox"/> NA
--------	----------------------------	-----------------------------

## PRODUCT INFORMATION

Fixture*:		basin area	water depth
Lavatory		15-7/8" D.	4-1/4"
Outlet	1-3/4" D.		
* Approximate measurements for comparison only.			
Included Components:			
Adhesive sealant		81489	
Adjustable linkage		84474	
Cutout template		114430-7	

## INSTALLATION NOTES

Product does not have an overflow.



### Roughing-In Notes

(T) Pop-up drain 9".

(S) 14" (Based on 12" riser which may require cutting).

\*Spout must be 5" long (min.) for adequate clearance into lavatory when installed with centerline as shown.

\*\*Spout must be tall enough to clear 3" rim height and provide a 1" air gap per ASME A112.1.2

## PRODUCT DIAGRAM