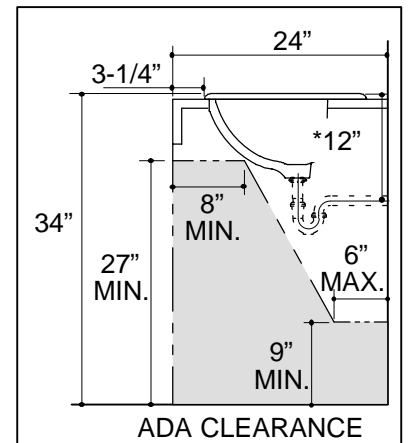
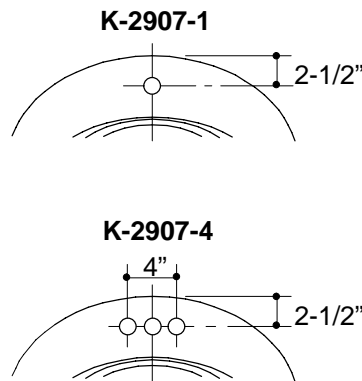
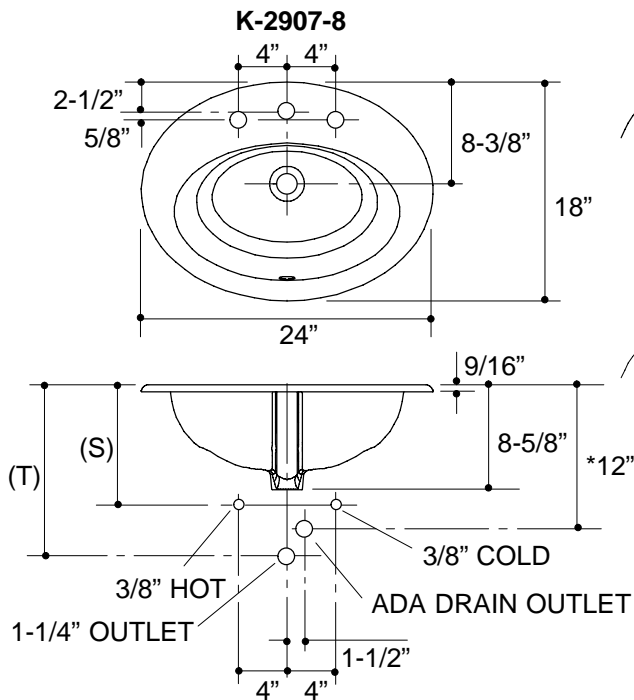


## Ordering Information

Applicable product:		
8" centers lavatory	K-2907-8	shown
4" centers lavatory	K-2907-4	not shown
Single-hole lavatory	K-2907-1	not shown
Accessories/hardware		
Trap	K-8998	recommended

## Product Information

ADA compliant.			
Fixture*:		basin area	water depth
Lavatory		19" x 11"	4-3/4"
Outlet	1-11/16" D.		
* Approximate measurements for comparison only.			
Holes	<b>K-2907-1</b>	<b>K-2907-4</b>	<b>K-2907-8</b>
Spout	1-3/8" D.	1-1/8" D.	1-1/8" D.
Faucet		1-3/16" D.	1-3/8" D.
Included Components:			
Overflow ferrule (1)			44071
Cutout template			114535-7



### Roughing-In Notes

Fixture dimensions are nominal and conform to tolerances in ASME/ANSI Standard A112.19.1M.

\*Based on K-8998 with 1" of tailpiece exposed.

(T) Pop-up drain 14-1/4", grid drain 13-3/8"

Supply (Based on 12" riser which may require cutting).	K-2907-1, K-2907-4	K-2907-8
--	-----------------------	----------

(S)	10"	14"
-----	-----	-----