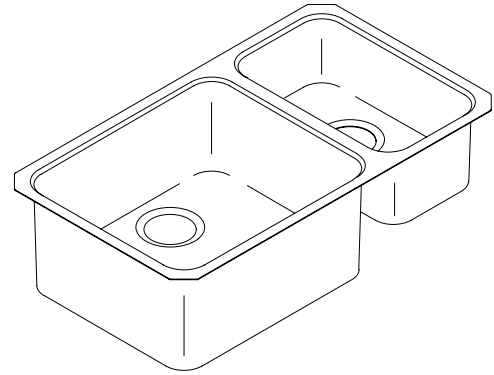


#### FEATURES

- 29-1/4" x 15-3/4"
- 18 gauge stainless steel
- Undercounter
- Double (high/low) compartment
- 7-1/2" deep left basin and 5-1/2" deep right basin
- Squared bowls
- Includes installation hardware



#### CODES/STANDARDS APPLICABLE

Specified model meets or exceeds the following:

- IAPMO/UPC
- State of Massachusetts

#### COLORS/FINISHES

- NA None Applicable

##### Accessories:

- CP Polished Chrome
- 0 White
- NA None Applicable
- Other Refer to Price Book for additional colors

#### SPECIFIED MODEL:

Model	Description	Colors/Finishes
K-3352	Undercounter sink	<input type="checkbox"/> NA

Optional Accessories			
K-3190	Bottom basin rack (for either basin)	<input type="checkbox"/> 0 White	<input type="checkbox"/> Other_____
K-3277	Wire basket (for large basin)	<input type="checkbox"/> 0 White	<input type="checkbox"/> Other_____
K-3294	Hardwood cutting board (for large basin)	<input type="checkbox"/> NA	
K-8801	Duostrainer sink strainer	<input type="checkbox"/> CP	<input type="checkbox"/> Other_____

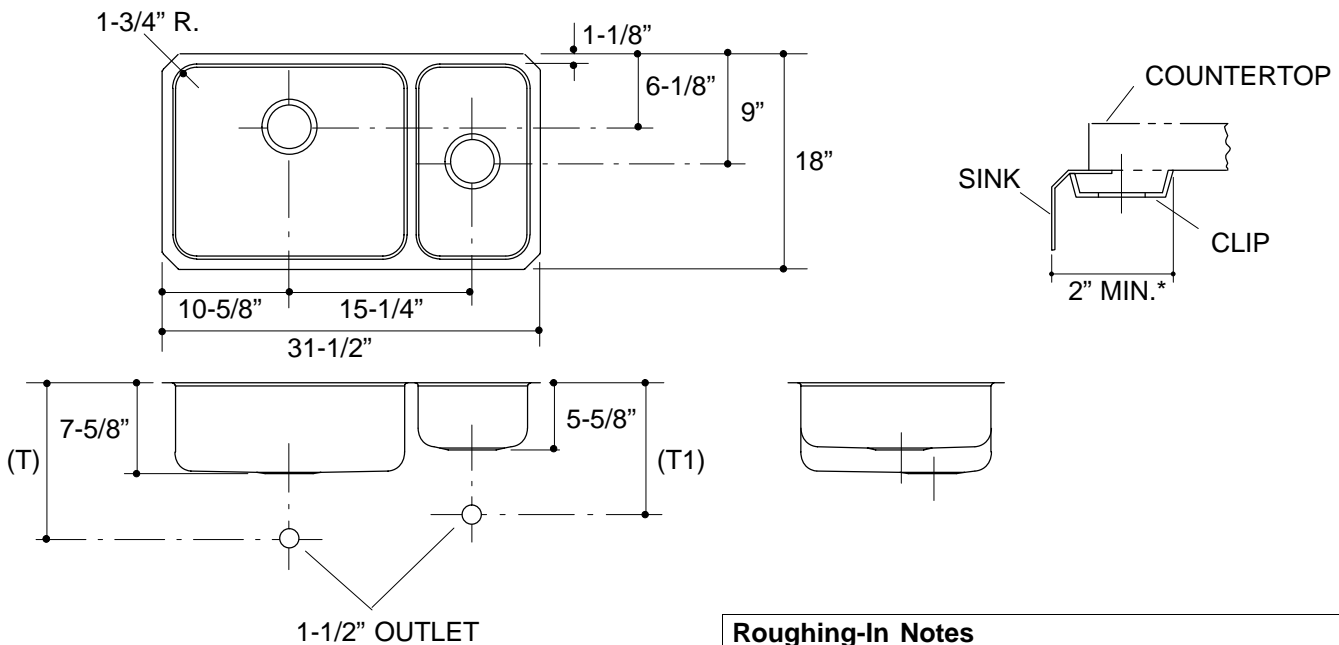
#### PRODUCT SPECIFICATION:

The undercounter sink shall be 29-1/4" in length, and 15-3/4" in width. Sink shall be made of 18 gauge stainless steel. Sink shall be double (high/low) compartment with squared bowls. Sink shall have 7-1/2" deep left basin, and 5-1/2" deep right basin. Sink shall include installation hardware. Sink shall be Kohler Model K-3352-\_\_\_\_\_.

# UNDERTONE™

## PRODUCT INFORMATION

Fixture*:		basin area	water depth
Sink, left		19" x 16"	7-1/2"
Sink, right		9" x 16"	5-1/2"
Outlet	3-5/8" D.		
* Approximate measurements for comparison only.			
Included Components:			
Hardware kit		91915	
Cutout template		113808	



### Roughing-In Notes

(T) Drain typically 13".

(T1) Drain typically 11".

\* Allow clearance around sink rim for clip attachment.

116

## PRODUCT DIAGRAM