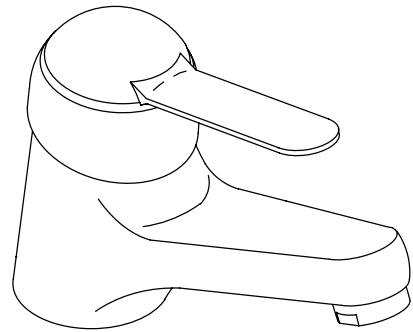


**LAVATORY FAUCET
K-14512**

ADA

FEATURES

- Brass construction
- Single-hole mounting
- One-piece self-contained ceramic disc valve allows both volume and temperature control
- Temperature memory allowing faucet to be turned on and off at any temperature setting
- 4-3/4" spout
- Vandal-resistant aerator
- 2.0 gallons per minute
- Lever handle
- Optional escutcheon plate is available for 4" centerset installations



CODES/STANDARDS APPLICABLE


Specified model meets or exceeds the following:

- ASME/ANSI A112.18.1M
- Energy Policy Act of 1992

COLORS/FINISHES

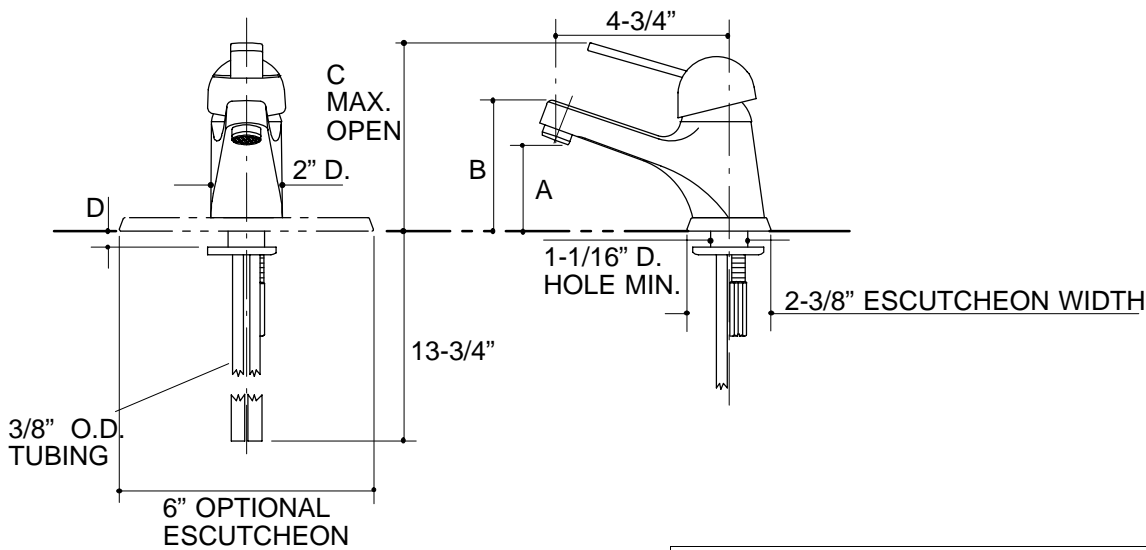
- CP Polished Chrome

SPECIFIED MODEL:

Model	Description	
K-14512	Paladar Single-Control Lavatory Faucet	<input type="checkbox"/> CP
Optional Accessory		
K-14531	6" Escutcheon Plate for 4" Centerset Installations	<input type="checkbox"/> CP

PRODUCT SPECIFICATION:

Single-control lavatory faucet shall be of brass construction. The valve shall be a one-piece, self-contained ceramic disc valve, and allows both volume and temperature control. The valve shall feature temperature memory, allowing the faucet to be turned on and off at any temperature setting. Product shall be less drain. Product shall include single-hole mounting, 4-3/4" spout, vandal-resistant aerator, and lever handle. Faucet shall be Kohler Model K-14512-CP.



Roughing-In Notes				
	A	B	C	D
With escutcheon	2-1/2"	3-5/8"	6-1/4"	1-5/8" MAX.
Without escutcheon	2-1/8"	3-1/4"	5-7/8"	2" MAX.
Escutcheon to be used with 4" hole centers only.				

14>.75

PRODUCT DIAGRAM