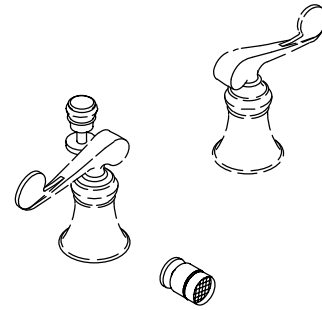
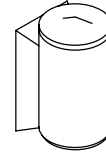


FEATURES

- Brass construction
- Flexible connections
- Brass valve bodies
- Pop-up drain with lift rod and tailpiece
- Below-the-rim swivel spray
- Available with scroll or traditional lever handles
- Wall-mount vacuum breaker



CODES/STANDARDS APPLICABLE



Specified model meets or exceeds the following:

- ASME/ANSI A112.18.1M
- Quarter-turn washerless ceramic disc valves
- ASSE 1001
- CSA B125

COLORS/FINISHES

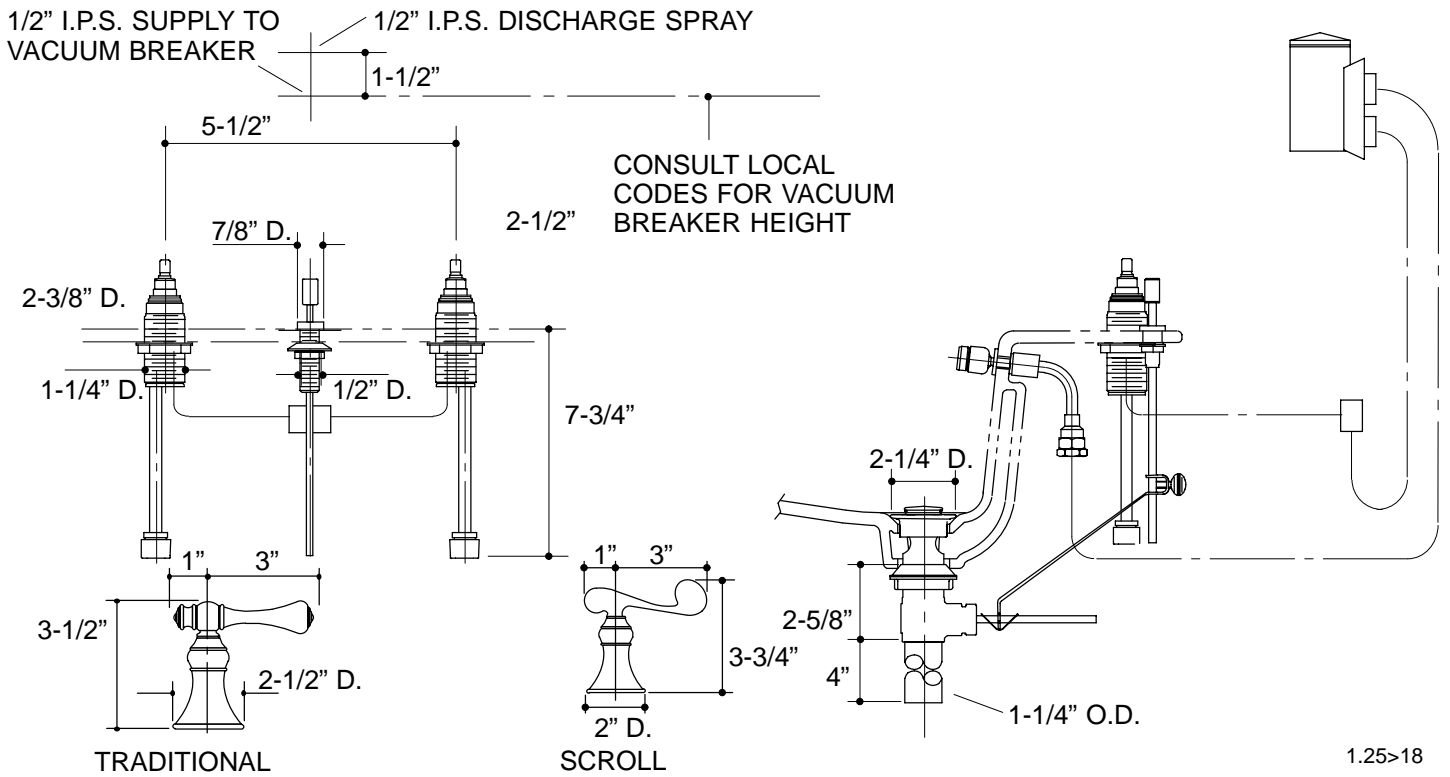
- CP Polished Chrome
- PB Polished Brass
- Other Refer to Faucets Price Book for additional finishes

SPECIFIED MODEL:

Model	Description	 ADA			 ADA		
		<input type="checkbox"/> CP	<input type="checkbox"/> PB	<input type="checkbox"/> Other_____	<input type="checkbox"/> CP	<input type="checkbox"/> PB	<input type="checkbox"/> Other_____
K-16137-4	With Scroll Handles	<input type="checkbox"/> CP	<input type="checkbox"/> PB	<input type="checkbox"/> Other_____			
K-16137-4A	With Traditional Handles				<input type="checkbox"/> CP	<input type="checkbox"/> PB	<input type="checkbox"/> Other_____

PRODUCT SPECIFICATION:

Two-handle fixture-mount bidet faucet shall be of brass construction. Faucet shall feature brass valve bodies. Faucet shall feature quarter-turn washerless ceramic disc valves, assuring positive handle stop positioning. Product shall include flexible connections, pop-up drain with lift rod and tailpiece, handles, below-the-rim swivel spray, and wall-mount vacuum breaker. Faucet shall be Kohler Model K-16137-_____-_____.



PRODUCT DIAGRAM