

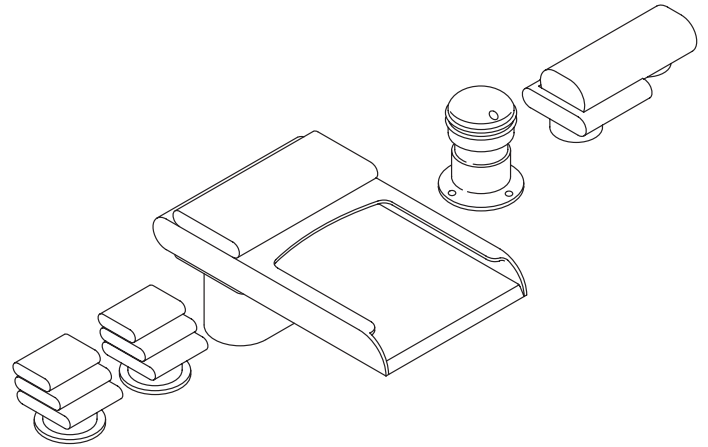
FEATURES

- Brass construction
- Deck-mount
- Brass valve bodies
- 3/4" quarter-turn washerless ceramic disc valves
- High-flow valving
- 8-1/2" Flume™ non-diverter spout with slip-fit connection
- Pillows handles
- Pillows handshower
- Three-way transfer valve/vacuum breaker

CODES/STANDARDS APPLICABLE

Specified model meets or exceeds the following:

- ASME/ANSI A112.18.1M
- ASSE 1014
- ASSE 1025
- CSA B125
- IAPMO PS45-91



COLORS/FINISHES

- PB Polished Brass
- SC Satin Chrome

SPECIFIED MODEL:

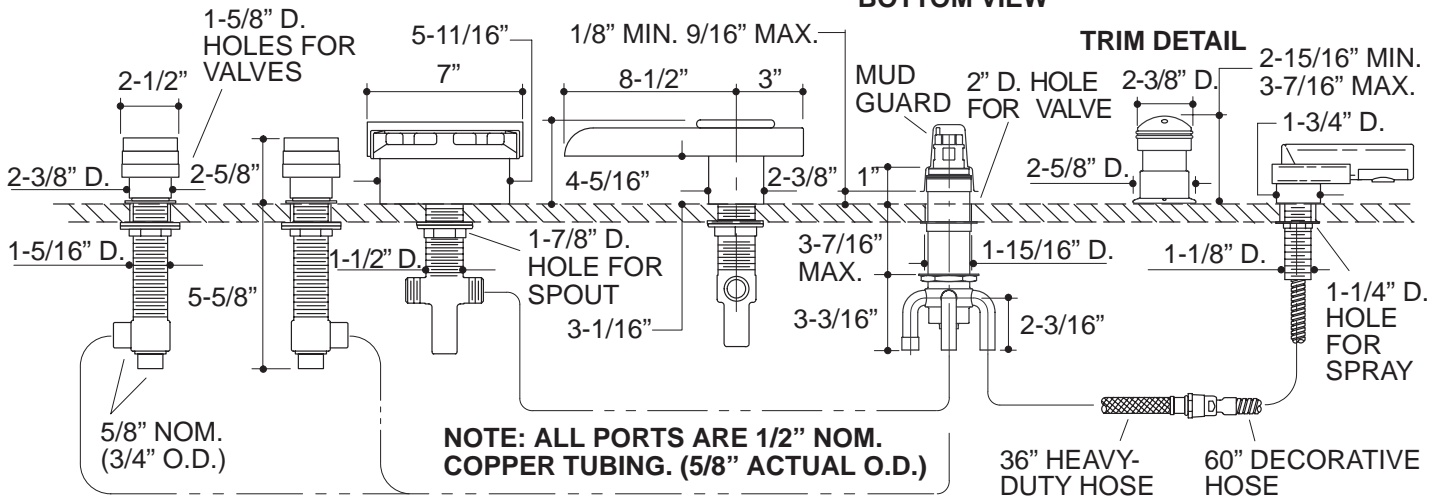
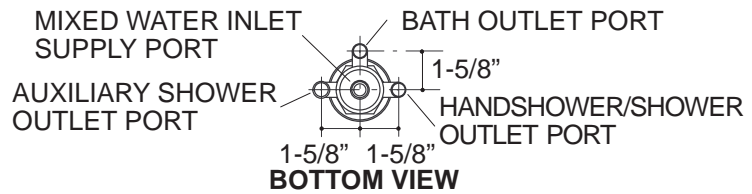
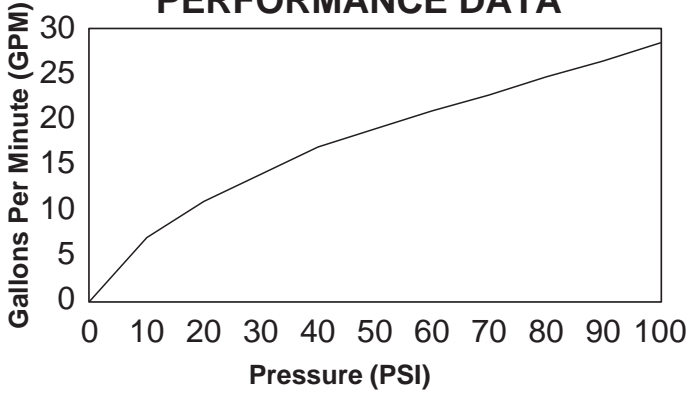
Model	Description		
K-7929-2	Pillows Deck-Mount High-Flow Bath Faucet with Handshower	<input type="checkbox"/> PB	<input type="checkbox"/> SC

PRODUCT SPECIFICATION:

Two-handle high-flow deck-mount faucet shall be of brass construction. Faucet shall feature brass valve bodies. Faucet shall feature 3/4" quarter-turn washerless ceramic disc valves, assuring positive handle stop positioning. High-flow valving allows water to flow 25-30 gpm at 45 psi. Product shall include 8-1/2" Flume non-diverter spout with slip-fit connection, Pillows handles, Pillows handshower, and three-way transfer valve/vacuum breaker. Faucet shall be Kohler Model K-7929-2-_____.

PILLOWS™

PERFORMANCE DATA



18

PRODUCT DIAGRAM