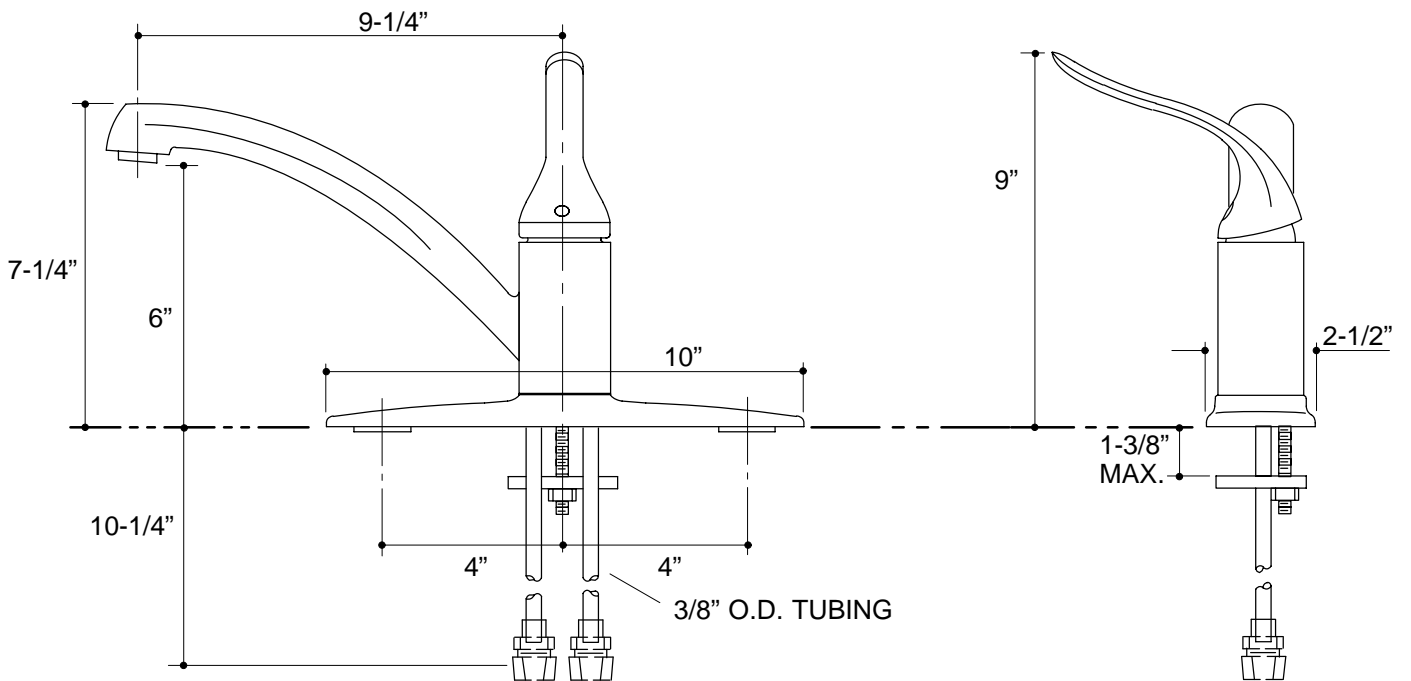


**Ordering Information**

Applicable sink faucet without spray:	
Faucet with ground joints	K-15071-P
<b>ADA</b> Lever handle is ADA compliant	



14

**K-15071-P** Coralais™ Kitchen Sink Faucet  
 114700-1-AA (9619)

**NOTES:**