

### Ordering Information

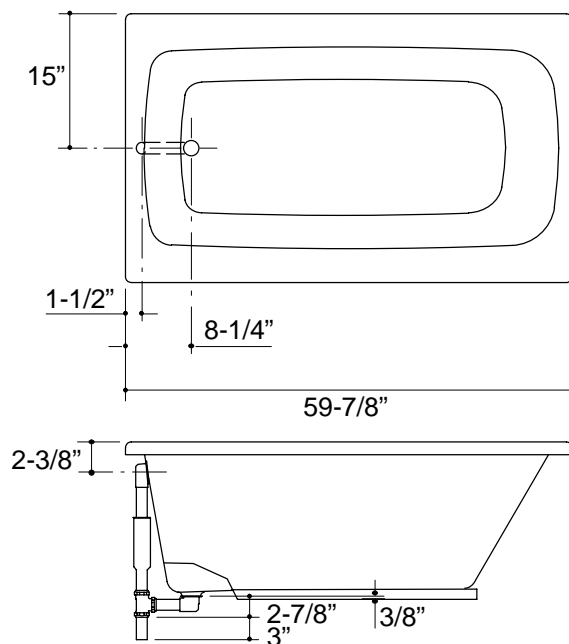
Accessories/hardware:		
Drain	K-11666	recommended
Vinyl tiling-in bead*	K-1179	optional
*Use K-1179 vinyl bead when wall material contacts any top surface of bath.		

### Product Information

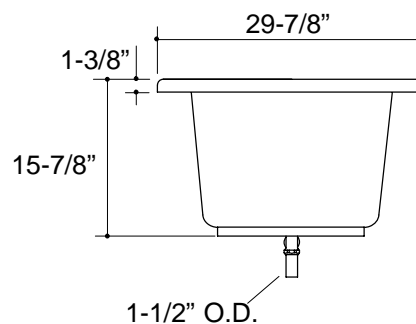
Fixture*:	basin area	top area	weight
Bathing well	44" x 16"	52" x 23"	40 lbs.
	water depth	capacity	
To overflow	12"	38 gal.	
* Approximate measurements for comparison only.			

### Installation Notes

Refer to installation instructions included with fixture before beginning installation.



Roughing-In Notes	
Fixture conforms to ANSI Standard Z124.1. All dimensions are nominal.	
No change in measurements if connected with drain illustrated.	
Cut-out	58-1/2" x 28-1/2"



1.25>132