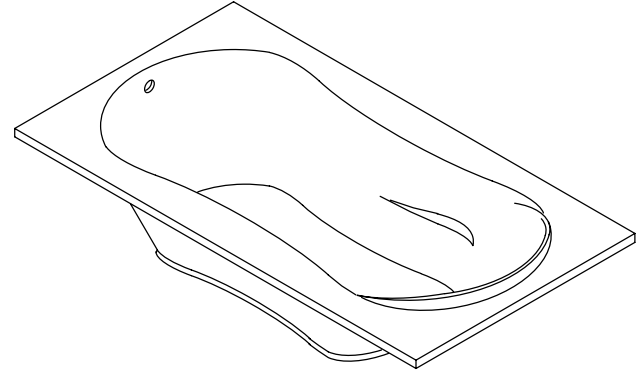


FEATURES

- 72" x 36" x 19"
- Acrylic
- Molded lumbar supports and armrests



CODES/STANDARDS APPLICABLE

Specified model meets or exceeds the following:

- ANSI Z124.1
- CABO/ANSI A117.1
- IAPMO/UPC

COLORS/FINISHES

- 0 White
- Other Refer to Fixtures Price Book for additional colors

SPECIFIED MODEL:

Model	Description	Colors/Finishes	
K-1159	72" x 36" bath	<input type="checkbox"/> 0 White	<input type="checkbox"/> Other _____
Recommended Accessories			
K-11677	Drain		<input type="checkbox"/> CP
Optional Accessories			
K-1179	Vinyl tiling-in bead (use when wall material contacts any top surface of bath)		<input type="checkbox"/> NA

PRODUCT SPECIFICATION:

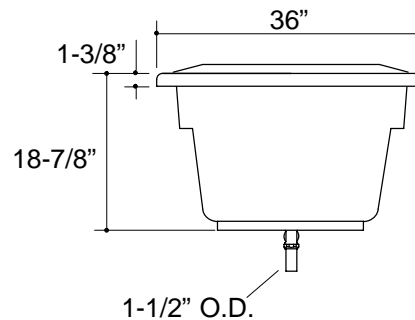
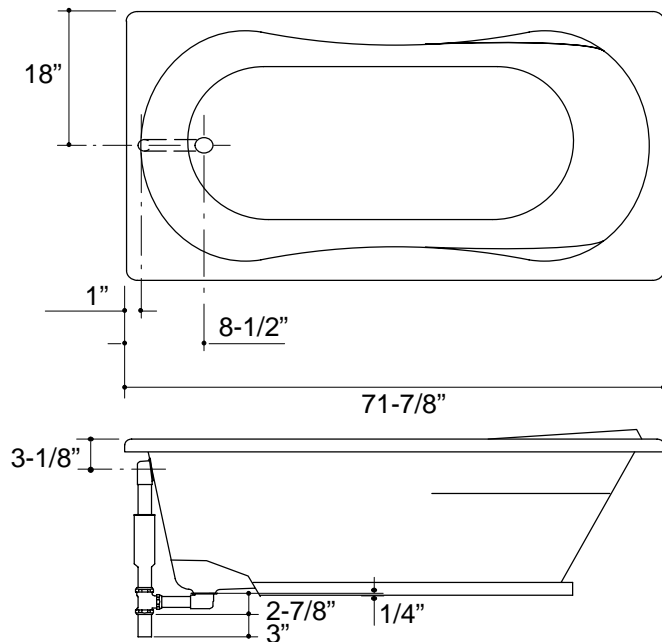
The bath shall be 72" in length, 36" in width, and 19" in height. Bath shall be made of acrylic. Bath shall have molded lumbar supports and armrests. Bath shall be Kohler Model K-1159-_____.

SYSTEM BASIC 7236

PRODUCT INFORMATION

Fixture*:	basin area	top area	weight
Bathing well	55" x 21"	65" x 26"	52 lbs.
	water depth	capacity	
To overflow	15"	72 gal.	
* Approximate measurements for comparison only.			

Roughing-In Notes	
No change in measurements if connected with drain illustrated.	
Cut-out	70-1/2" x 34-1/2"



1.25>132

PRODUCT DIAGRAM