

Ordering Information

Accessories/hardware:		
Drain	K-11677	recommended

Product Information

Fixture*:	basin area	top area	weight
Bathing well	1168 x 483mm	1397 x 737mm	21 Kg.
	water depth	capacity	
To overflow	356mm	204 litres	
* Approximate measurements for comparison only.			
Included Components:			
Cutout template			114859-7

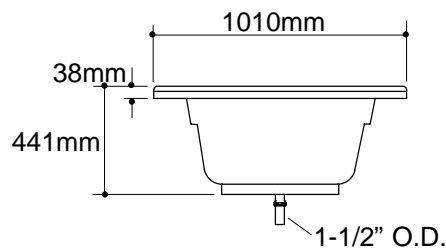
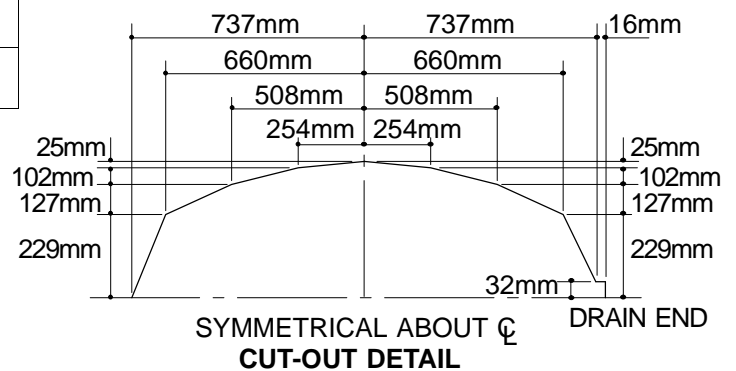
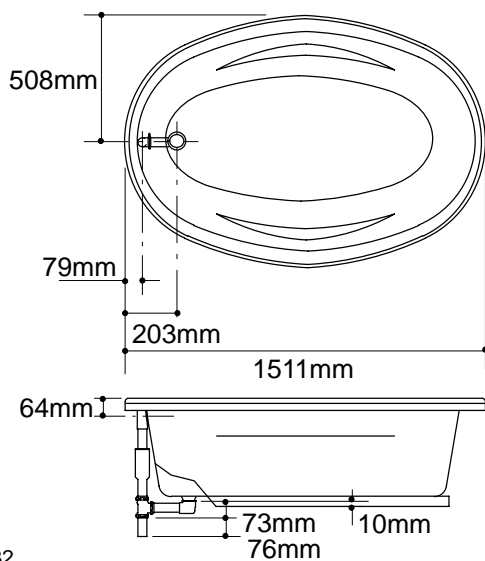
Installation Notes

Refer to installation instructions included with fixture before beginning installation.

Roughing-In Notes

Fixture conforms to ANSI Standard Z124.1. All dimensions are nominal.

No change in measurements if connected with drain illustrated.



132